



Powered Liner ~ Island Application

Your Design, Our Power!



Features

- ◆ **Lighting:** 9.5 Watt Flood LED (50 Watt Halogen/PAR20 Equivalent/Dimmable) or 50 Watt Halogen Flood (PAR20) Bulbs Not Included
- ◆ **Heat Sensor:** Fire Safety Thermostat with Automatic turn ON when temp. reaches 130 degrees.
- ◆ **Filters:** Aluminum Mesh filters.
- ◆ ***Flange:** Trim pieces available for an additional charge.
- ◆ **Custom:** Custom sizes available. Call with exact dimensions for pricing and delivery time.
- ◆ **Optional Modified Wiring:** Wiring for “remote” switch placement. Includes switches & knobs.

Specifications

- ◆ **Power:** Flame Retardant Centrifugal Blowers. 750 to 1425 CFM.
- ◆ **Electrical:** 115 AC, 60 Hz, 9 Amps. Suggested use with 15 Amp circuit.
- ◆ **Stainless:** Complete **Stainless Steel** Construction for Durability and Fire Safety.
- ◆ **Distance Codes:** Check local city, county and cooking appliance specifications. UL tested at 36” above cooking surface.
- ◆ **Installation:** Simple, Stress Free, One Piece Installation with “Automatic Seal Vent Collar”.

Warranty

- ◆ **Warranty: 7 Year, In-Home—Parts & Labor. (Best in the Industry!)**
- ◆ No “Performance” Warranty when used above BBQ Style Grills/Griddles. Call to discuss.

MODELS	POWER CFM	MOTOR TYPE	CONTROLS	SONES LOW - HI	DEPTH Front to Back	DUCT	LIGHTING	SIZES
C2000PS-IS22	750	Dual Blowers	Variable	1.5 - 4.6	22 1/8”	Single 7”	Front Panel	30” , 36” , 42” , 48”
C2000PS-IS22-8	900	Dual Blowers	Variable	1.5 - 4.6	22 1/8”	Single 8”	Front Panel	30” , 36” , 42” , 48”
C2000PS-IS22-K	1000	Dual Blowers	Variable	1.5 - 4.6	22 1/8”	Single 10”	Front Panel	30” , 36” , 42” , 48”
C2000PS1-TW-IS22	1270	Twin Blowers	Variable	1.5 - 4.6	22 1/8”	Two 7”	Front Panel	36” to 54”
C2000PS1-TW-IS22-8	1425	Twin Blowers	Variable	1.5 - 4.6	22 1/8”	Two 8”	Front Panel	36” to 54”

***Optional Flange—Custom fit your liner with standard 3/4” flanges. Other sizes available. Call for a quote.**
Available in 28” depth. Call for a cost.

Employee Owned
American Made
Since 1961 

Island Liner Specifications

NOTE

Example: C2000PS-IS22-8

Vent size 8" round by 3-1/2" high.

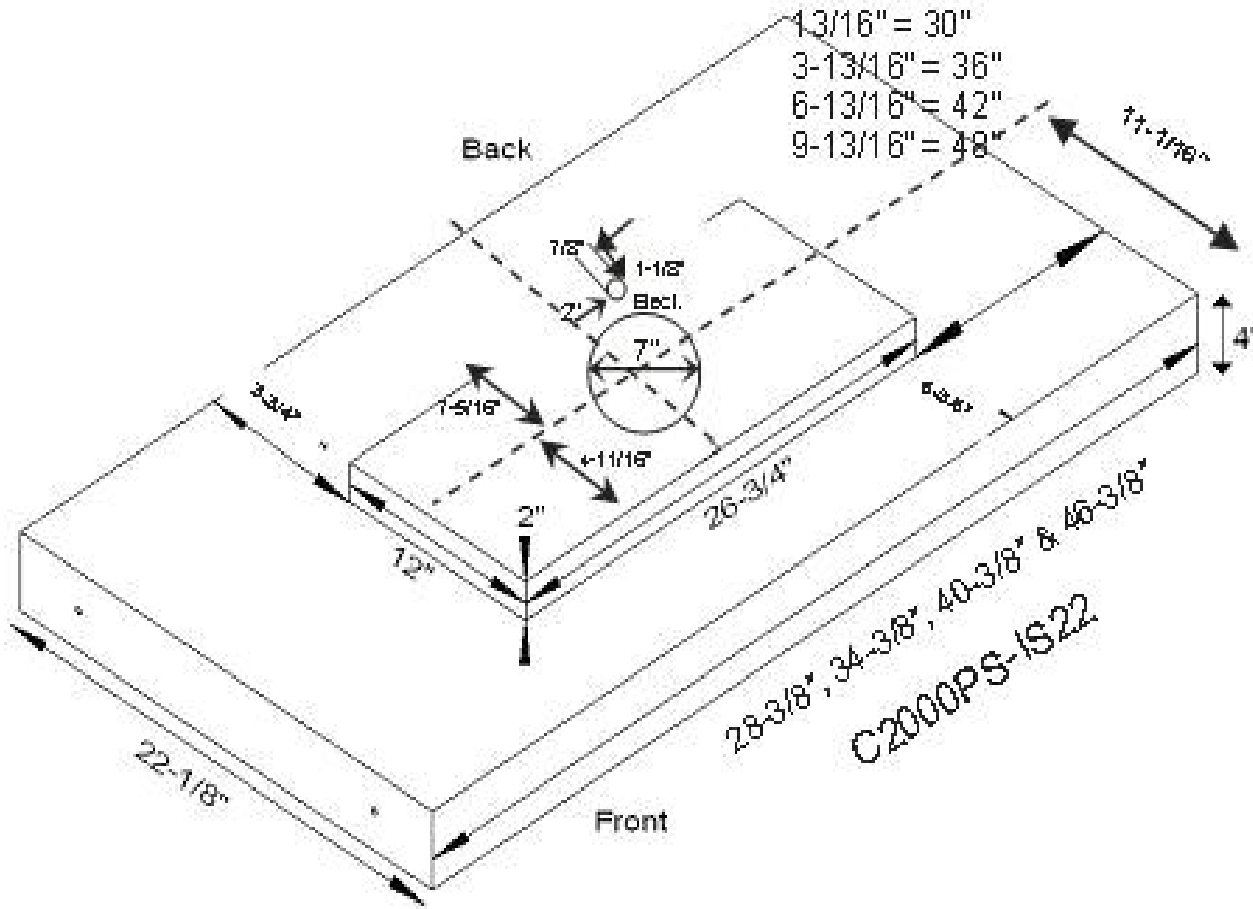
Increase CFM by 20% with 8" vent transition.

All other dimensions remain the same.

Example: C2000PS-IS22-K

Vent size 10" round by 7" high.

Increase CFM by 35% with 10" vent transition.



*3/4" Flange for perfect fit.
Flange NOT included. Must be ordered separately.



8" Transition
8" Round x 3-1/2" high



10" Transition
10" Round x 7-1/2" high



SEVEN YEAR LIMITED WARRANTY, THE BEST IN THE INDUSTRY!

All dimensions are (+/-) 1/8" and are subject to change. Drawings are not to scale.