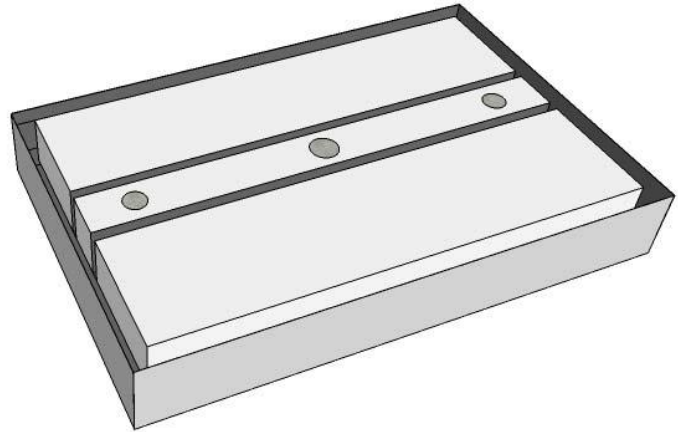


26" Depth, 12" High	MODEL
<ul style="list-style-type: none"> <li>◆ 750+/- CFM</li> <li>◆ 8" Round Transition</li> </ul>	2042PS-IS-8-SS 2054PS-IS-8-SS



**FEATURES:**

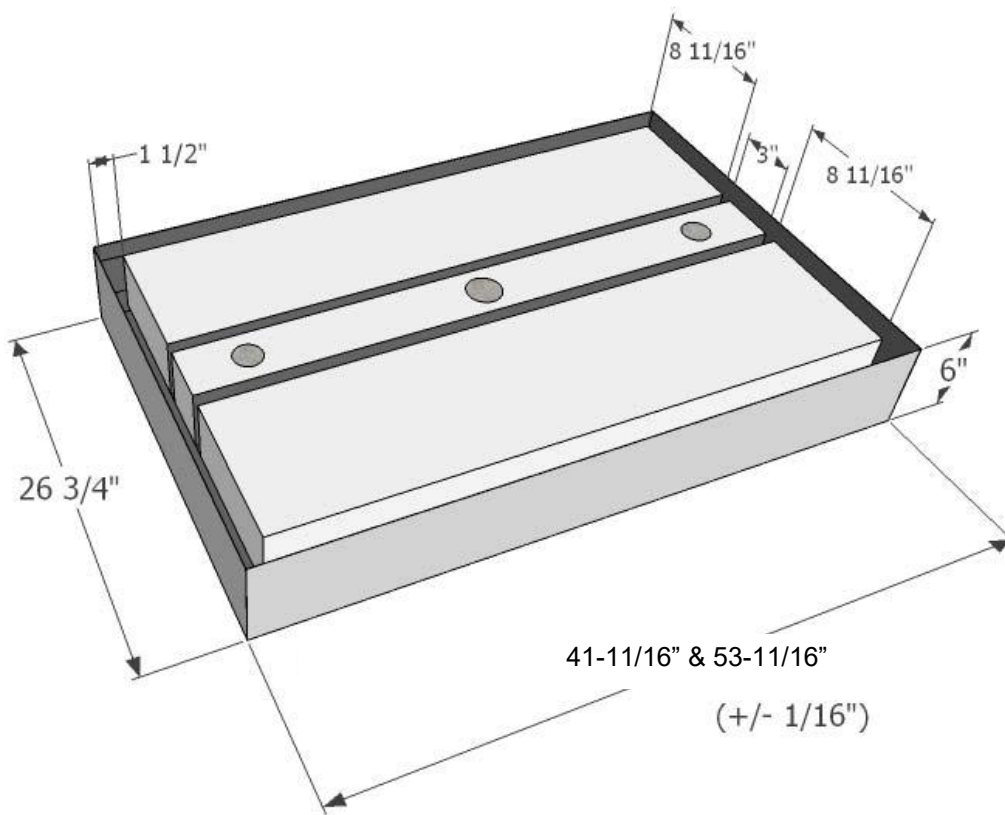
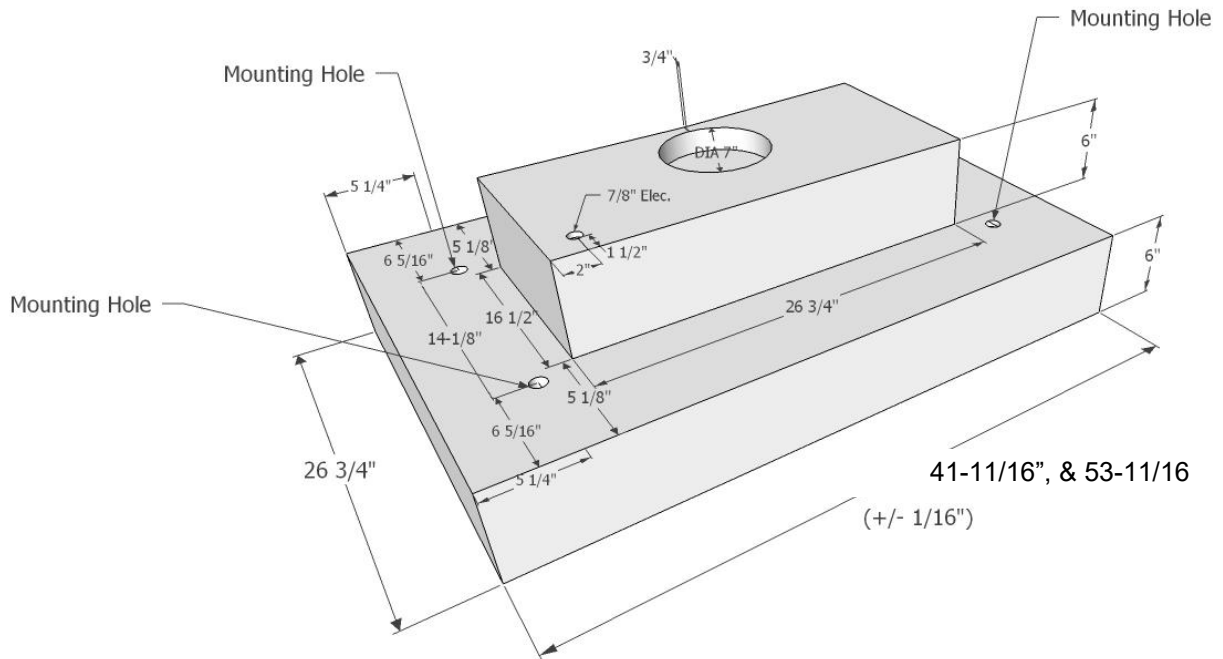
- ◆ 304 Marine Grade Stainless Steel
- ◆ Hand held remote control; power and lights. On/Off.
- ◆ Sones: 1.5 to 4.6
- ◆ Filters: Aluminum Mesh
- ◆ Center Panel Lighting: LED bulbs Included.
- ◆ Available in Matte White for an additional charge.

**OPTIONS:**

- ◆ Custom Sizes Available.

NO Performance Warranty due to variable distances above cooking surface.

# Ceiling Mount Island Specifications



**SEVEN YEAR, IN HOME, LIMITED WARRANTY, THE BEST IN THE INDUSTRY!**

All dimensions are (+/-) 1/16" and are subject to change. Drawings are not to scale.