

3 CONNECT VENT SYSTEM

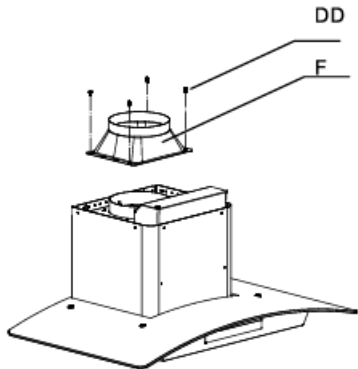
FOR VENTED INSTALLATIONS ONLY



CAUTION: To reduce the risk of fire, use metal ductwork only.

1. OUTLET ADAPTER ASSEMBLY

- Fix the outlet adapter on the top of the hood by 4 screws (CC)
- Ensure the two flappers of the damper assembly operating properly.

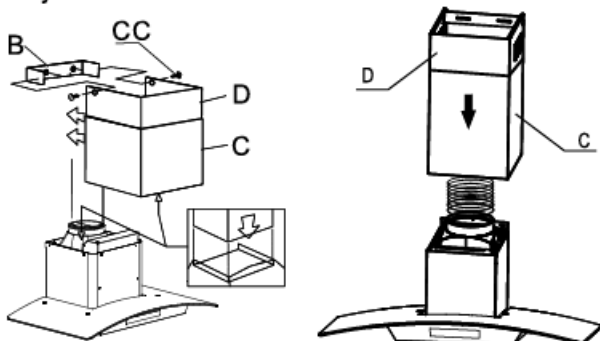


- Attach an adequate length of 6 inch flexible duct (Not included) on the top of the outlet adapter. The max length of flexible duct is 59 inch.
- Secure the duct. Check and properly tape all joints on the duct work to ensure proper connections.

2. TELESCOPIC CHIMNEY ASSEMBLY

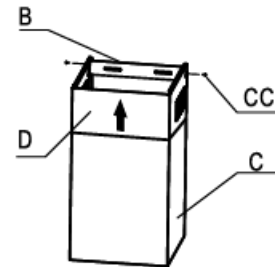
Chimney Bottom:

- Carefully slide the bottom chimney (C) down outside the top chimney (D), and then carefully place the bottom chimney (C) into the recessed area of the hood body top.
- Optionally fix the bottom chimney (C) with the three chimney bottom screws (DD) supplied from inside of hood body.

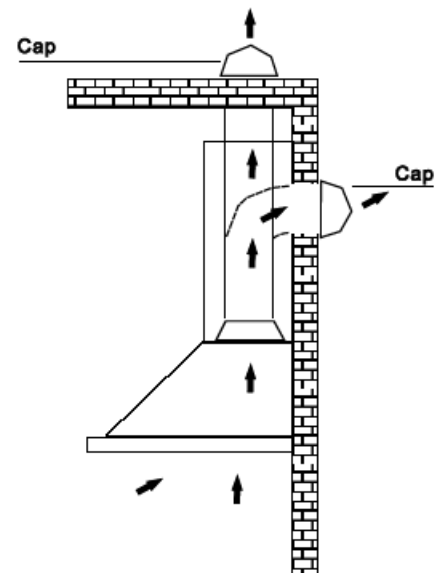


Chimney Top:

- Raise the top chimney (D) up inside the bottom chimney (C). Secure the top chimney (D) to the chimney mounting bracket (B) that is securely attached on the wall with the two chimney bracket screws (CC) supplied from two sides.

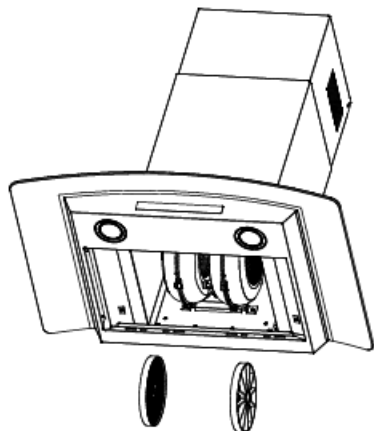


1. Decide where the duct (Not included) will run between the hood and the outside.
2. A straight, short duct run will allow the hood to perform most efficiently.
3. Long duct runs, elbows, and transitions will reduce the performance of the hood. Use as few of them as possible. Larger ducting may be required for best performance with longer duct runs.
4. Attach an adequate length of 6 inch flexible duct to the air outlet adapter.
5. The air must not be discharged into a flue that is used for exhausting fumes from appliances burning gas or other fuels. Regulations concerning the discharge of air have to be fulfilled.
6. Install a roof/wall cap. Connect round metal ductwork to cap and work back towards hood location. Use duct tape to seal the joints between ductwork sections. (The roof/wall cap should be sourced locally).

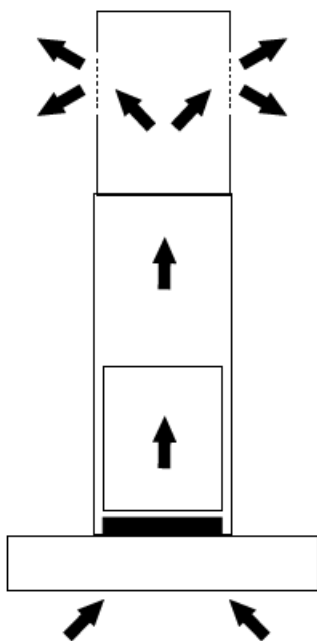


FOR NON-VENTED INSTALLATION ONLY

1. Install the charcoal filters (Not included).



2. Please note that the air will flow out from the two grids on the two sides of the chimney top.



ELECTRICAL CONNECTION



WARNING: If the supply cord is damaged, it must be replaced by the service agent or similarly qualified persons in order to avoid a hazard.



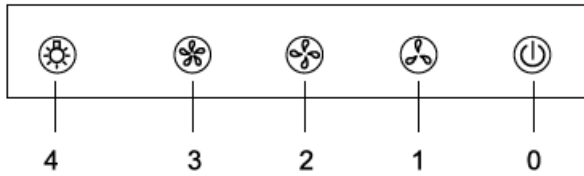
WARNING: Do not use the plug and an extension cord other than the ones initially supplied with the hood.



WARNING: The ground connection of this hood is compulsory. Do not remove ground prong of the plug.

OPERATION OF CONTROLS

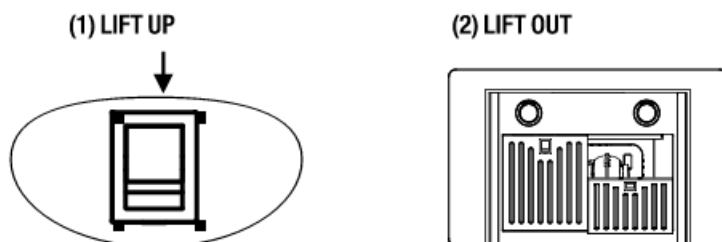
1. The hood is operated using the push button on the front panel.
2. The light switch turns the lamps on and off.
3. The blower switch turns the blower on to three speed settings.



- 0 - OFF
- 1 - LOW SPEED
- 2 - MEDIUM SPEED
- 3 - HIGH SPEED
- 4 - LIGHT

BAFFLE FILTERS

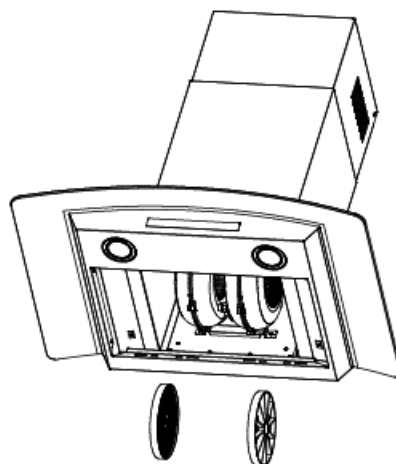
- The baffle filters should be cleaned frequently (every two months of operation, or more frequently for heavy use). Use a warm detergent solution.
- Baffle filters are dishwasher safe.



1. Remove the baffle filters by lifting up the latch. This will disengage the filters from the hood. Tilt the filter lift out and remove.
2. Wash the filters, taking care not to bend them. Allow them to be dry before replacing.
3. When replacing the filters, make sure that the latch is visible from the outside.

NON-DUCTED RECIRCULATION CHARCOAL FILTERS (NOT INCLUDED)

- This charcoal filters (Not included) is not washable, cannot be regenerated, and should be replaced approximately every 3 months of operation, or more frequently in the case of heavy usage.
1. Remove the baffle filters.
 2. The charcoal filters (Not included) must be applied to the suction unit in side the hood, centering them inside of it and turning them 90° until they snap into place.
 3. Put the baffle filters back in place.



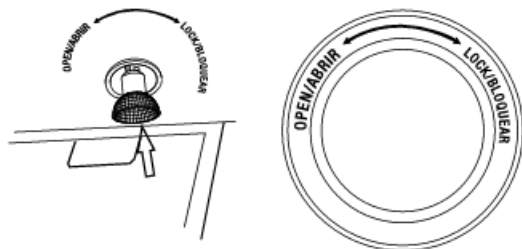
Maintenance (continued)

LIGHTING



WARNING: Always switch off the electrical supply before carrying out any operation on the appliance.

- This range hood requires two LED lamps (120V, GU10, 3W).
- To change LED lamps:
 1. Switch off power and wait for 5 minutes until the bulbs cool down.
 2. Remove the bulb by pulling sideways.



CAUTION: The surface of the LED lamps may be hot. Take care when doing the replacement.

“Please note that changes or modifications of this product is not expressly approved by the party responsible for compliance could void the user’s authority to operate the equipment.”

NOTE: This equipment has been tested and found to comply with the limits for a Class B digital device, pursuant to Part 15 of the FCC Rules. These limits are designed to provide reasonable protection against harmful interference in a residential installation. This equipment generates, uses and can radiate radio frequency energy and, if not installed and used in accordance with the instructions, may cause harmful interference to radio communications. However, there is no guarantee that interference will not occur in a particular installation. If this equipment does cause harmful interference to radio or television reception, which can be determined by turning the equipment off and on, the user is encouraged to try to correct the interference by one or more of the following measures:

- Reorient or relocate the receiving antenna.
- Increase the separation between the equipment and receiver.
- Connect the equipment into an outlet on a circuit different from that to which the receiver is connected.
- Consult the dealer or an experienced radio/TV technician for help.

Care and Cleaning



WARNING: Failure to maintain basic standards of care and cleaning of the range hood will increase the risk of fire.

The range hood should be cleaned regularly internally and externally to preserve its appearance and performance.

Do

- Clean the range hood periodically with hot, soapy water and a clean cotton cloth.
- Always clean in the direction of original polish lines.
- Always rinse well with clean water two or three times after cleaning. Wipe completely dry with a soft, non-abrasive cloth.
- After cleaning, you may polish with a non-abrasive stainless steel polish or cleaner. Always rub lightly and with the grain.
- Ensure that the venting system is free of debris, if you have one.

Do Not

- Do not use corrosive or abrasive detergents, or any products containing chloride, fluoride, iodide, or bromide on this product, as they will deteriorate the surface rapidly.
- Do not allow cleaning compounds, salt solutions, disinfectants, or bleaches to remain in contact with the product for extended periods of time.
- Do not allow deposits to remain for long periods of time on the range hood. Rinse with water immediately and wipe dry with a clean cloth.
- Do not leave the range hood dirty for long periods of time or allow dirt to accumulate.
- Do not let plaster dust or any other construction residue enter the hood. During construction or renovation, cover the hood.
- Combustible products used for cleaning, such as acetone, alcohol, ether, or benzyl, are highly explosive and should never be used close to a range or stove.

Troubleshooting



DANGER: Turn off the power circuit breaker or the power switch on the junction box before installing or servicing this unit. Touching circuitry inside the range hood while it is energized will result in death or serious injury.

Problem	Solution
The range hood will not operate.	<ul style="list-style-type: none"> <input type="checkbox"/> Check that the power supply cable and all electrical wiring are properly connected. <input type="checkbox"/> Check that the power is turned on at the junction box or circuit breaker. <input type="checkbox"/> Check that the wiring between the switch board and the control board are connected properly.
The range hood vibrates when the fan is operating.	<ul style="list-style-type: none"> <input type="checkbox"/> Check that the range hood has been secured properly to the wall or cabinet. Tighten it into position, if necessary. <input type="checkbox"/> Check that the motor is secured in place. If not, then tighten the motor in place. <input type="checkbox"/> Check that the fan is not damaged. If so, replace the fan.
The fans seem weak.	<ul style="list-style-type: none"> <input type="checkbox"/> Check that the duct size used is at least 6 in.(152mm). The range hood will not function efficiently with insufficient duct size. <input type="checkbox"/> Check that the duct is not clogged with debris and the tight mesh on the wall cap, if applicable, isn't restricting air flow. <input type="checkbox"/> Check that the damper unit is opening properly, if applicable.
The lights work, but the fan is not spinning, is stuck, or is rattling.	<ul style="list-style-type: none"> <input type="checkbox"/> The lights work, but the fan is not spinning, is stuck, or is rattling. <input type="checkbox"/> Check that the fan isn't jammed or scraping the bottom. <input type="checkbox"/> If nothing else works, the motor may be defective or seized. If so, replace the motor.
The range hood is not venting properly.	<ul style="list-style-type: none"> <input type="checkbox"/> Check that the distance between the cook top and the bottom of the range hood is min. at 24 in. <input type="checkbox"/> Check that duct work follows all requirements. Use metal duct work with a uniform diameter of 6 in.(152mm). Reduce the length of duct work and the number of elbows if necessary. Ensure that all joints are properly connected, sealed, and taped. <input type="checkbox"/> Check that the duct does not open against the wind. <input type="checkbox"/> Ensure that the power is on high speed for heavy cooking. <input type="checkbox"/> Wind from opened windows or doors may affect the performance of the range hood. Close windows and doors to eliminate outside air flow.
A light does not work.	<ul style="list-style-type: none"> <input type="checkbox"/> Check the light bulb to see if it is loose. If so, tighten. <input type="checkbox"/> Remove the problem bulb and insert one you know is working. If the properly functioning light does not come on, the problem may be the light assembly. Have the light assembly serviced or replaced.

Wiring Diagram

