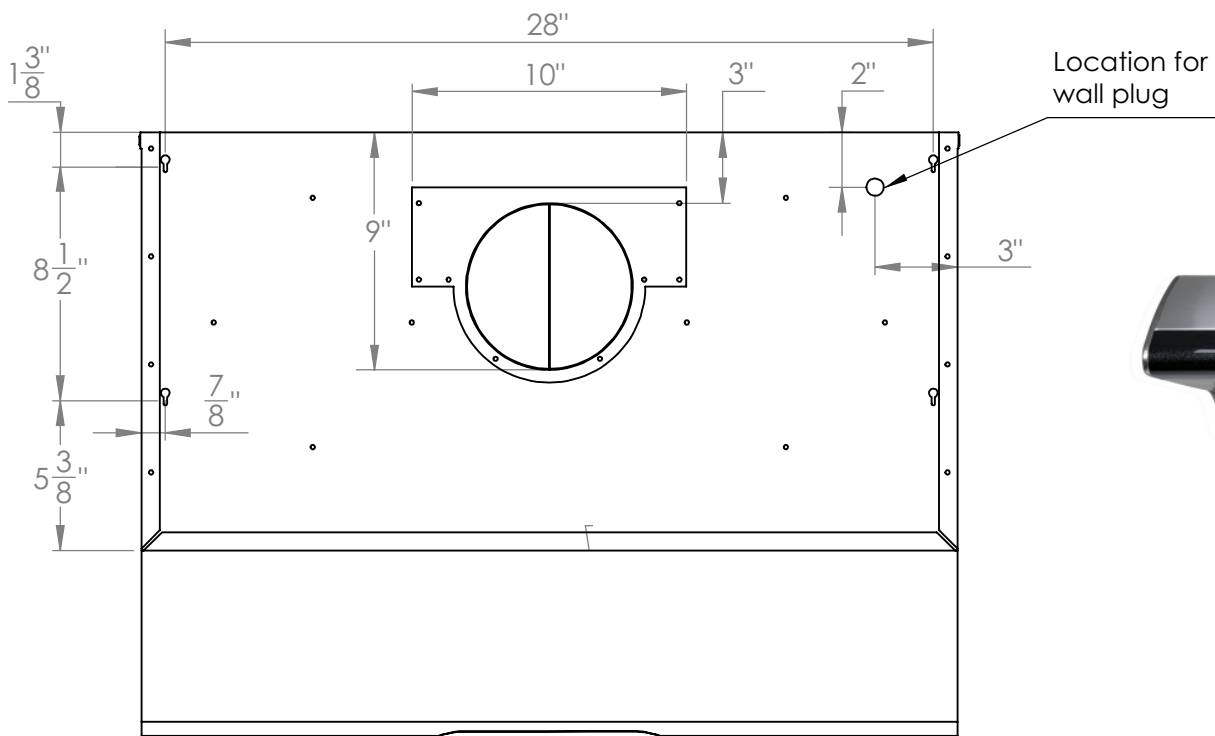
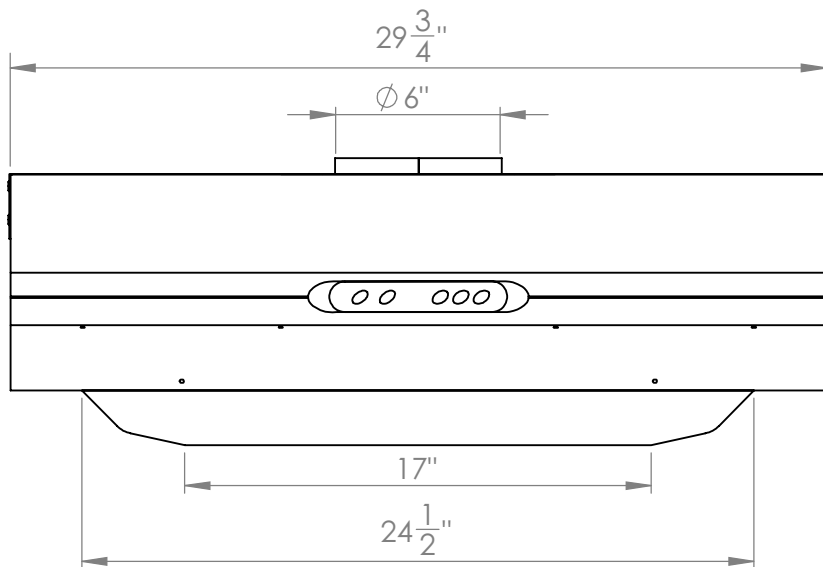


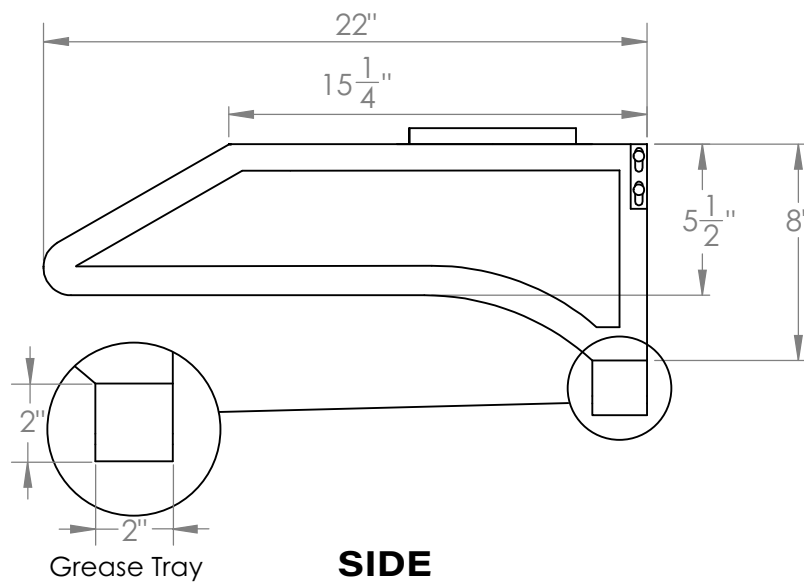
UC-C395SS-30



TOP



FRONT

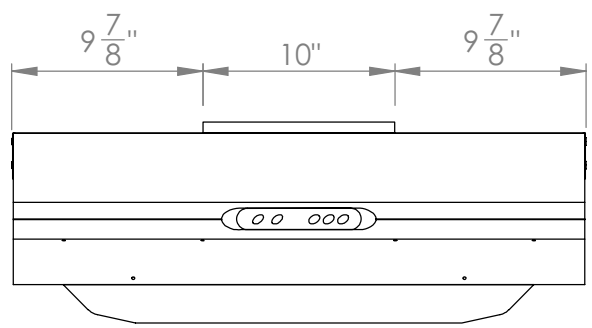


SIDE

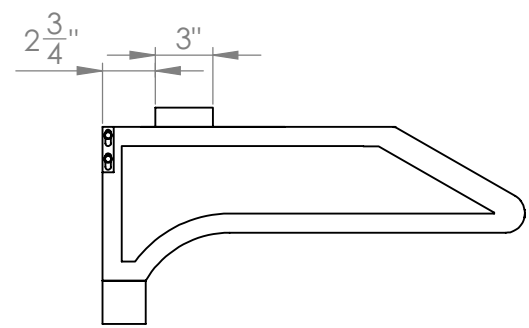
All measurements in inches

UC-C395SS-30

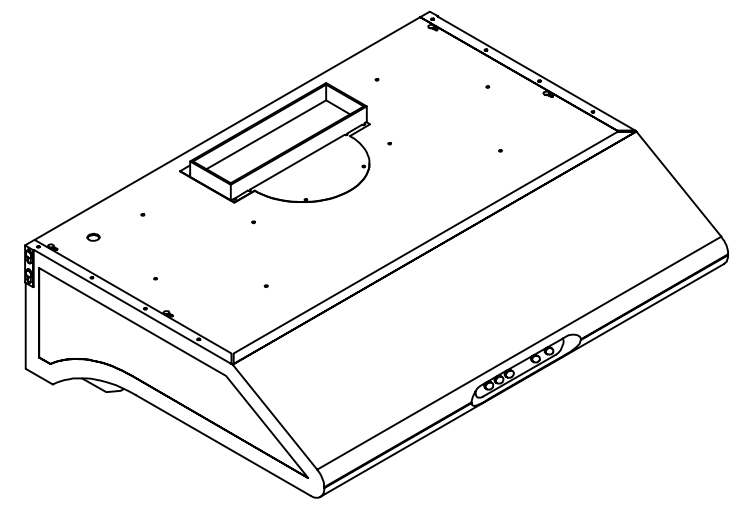
Vertical Adapter



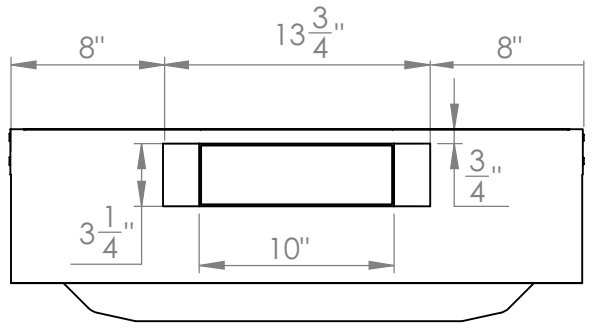
FRONT



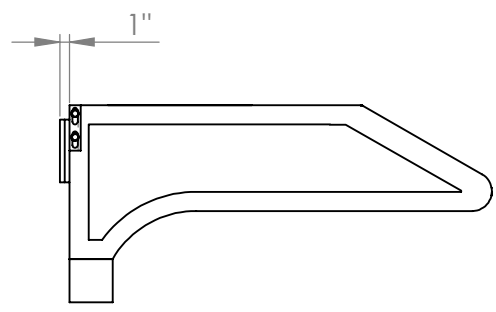
SIDE



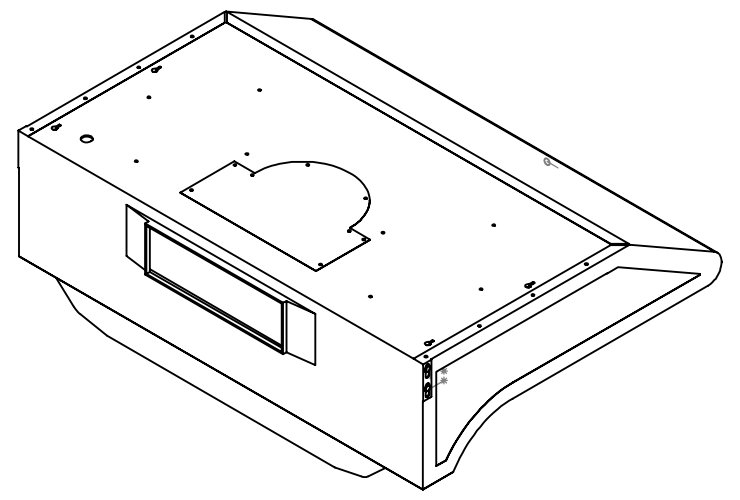
Horizontal Adapter



BACK



SIDE



All measurements are in inches