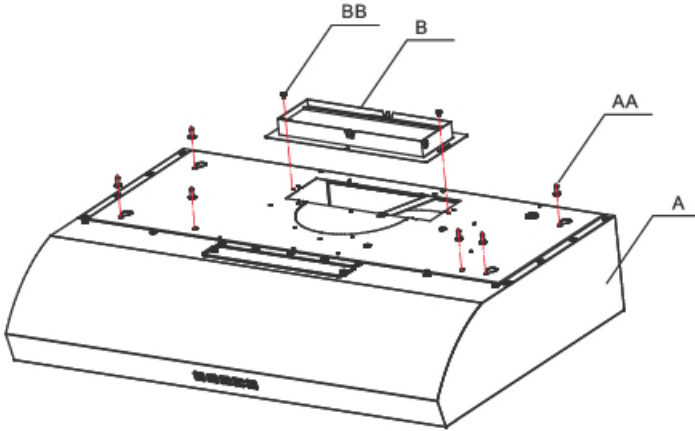


Installation (continued)

H A U S L A N E

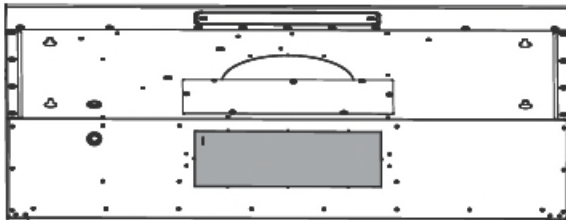
For 3 1/4 " x 10" vertical exhaust:

Install the 3 1/4 " x 10" damper(B) by using 2 screws(BB)

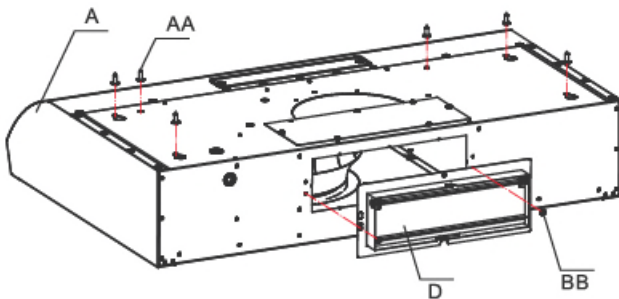


For 3 1/4 " x 10" horizontal exhaust:

Remove the rectangular knockout plate from the back of the hood (grey area).

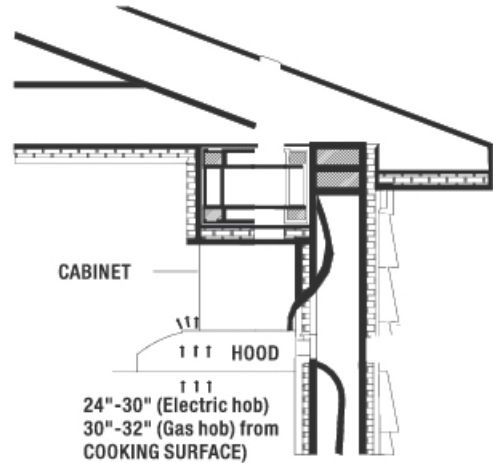


Install the 3 1/4 " x 10" damper(C) by using 2 screws(BB)

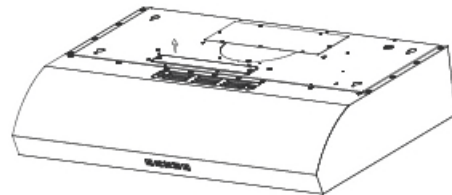
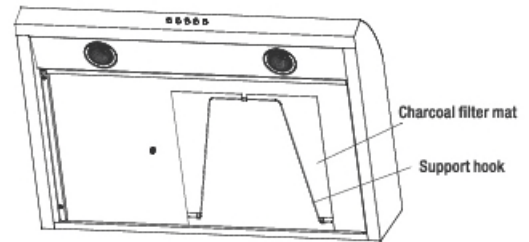


DUCTLESS VERSION

(SKIP THIS STEP IF YOU ARE USING EXTERIOR VENTING)



Attach the charcoal filter mat with support hook and remove the recirculation plate by releasing the screws.

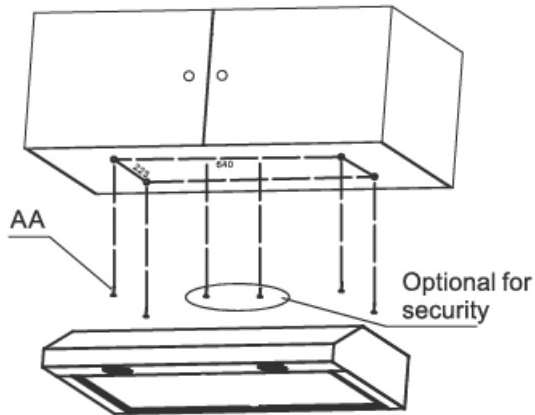


Installation (continued)

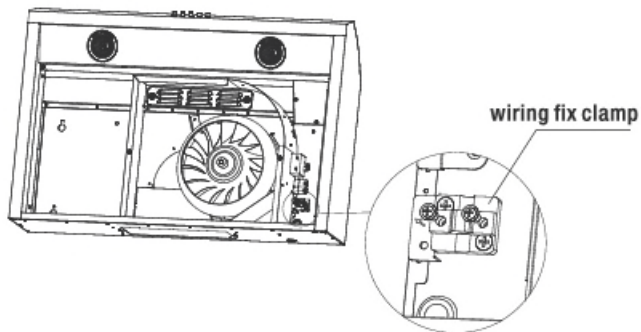
H A U S L A N E

Hold the hood in position under the cabinet. For ducted installation, make sure the outlet adapter enters ductwork and the damper opens and closes freely.

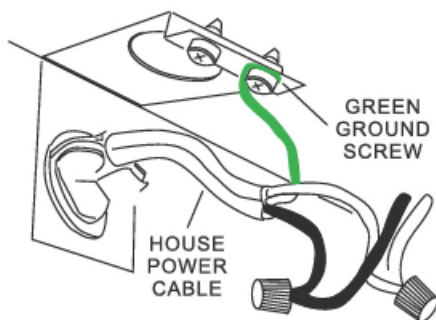
Tighten six mounting screws (AA) completely to secure the hood to the cabinet. Please note that two of the six screws (AA) showed as below are optional for security.



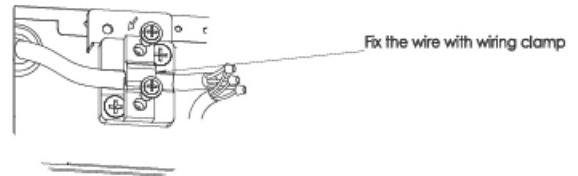
Release the wiring fixing clamp by releasing two screws



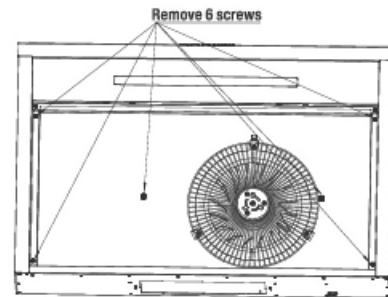
Connect the house power cable to the range hood wiring: BLACK to BLACK, WHITE to WHITE and GREEN or BEAR WIRE to GREEN GROUND SCREW.



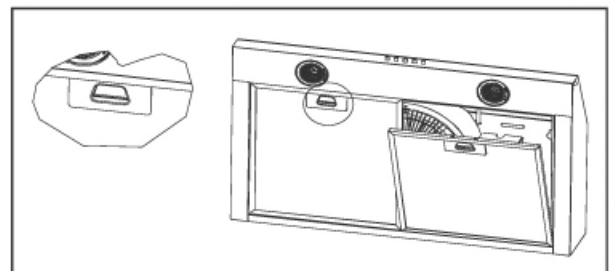
Fixe the wire with wiring clamp by securing two screws.



Reinstall the cover plate by 6 screws.



Replace the filters and turn on the power at service panel and test for proper operation.



The hood is operated using a push button switch or touch sensor switch on the front panel.

Push button switch:

The light switch (4) turns the lamps on and off.

The blower switch (1,2,3) turns the blower on to three speed settings:

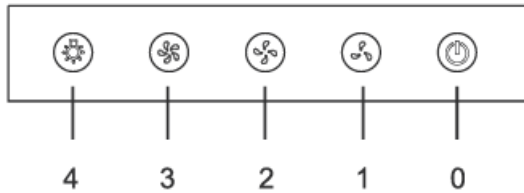
0 - ON/OFF

1 - LOW SPEED

2 - MEDIUM SPEED

3 - HIGH SPEED

4 - LIGHT



Touch sensor switch:

0 - OFF/TIME DELAY

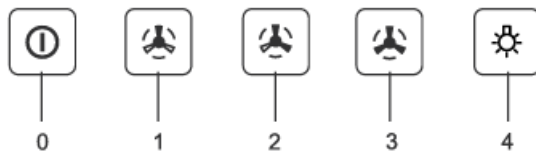
1 - LOW SPEED

2 - MEDIUM SPEED

3 - HIGH SPEED

4 - LIGHT

Time delay: Hold and press the "on/off" key for 2 seconds to activate the time delay function, the hood will automatically turn off after 5 minutes.



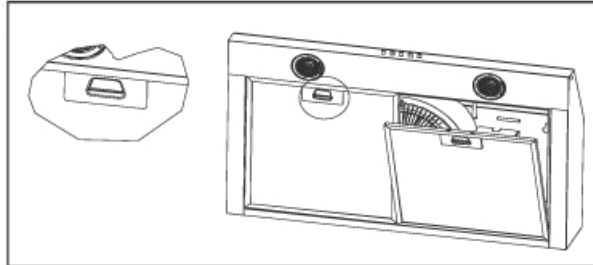
CAUTION: Unplug or disconnect the appliance from the power supply before servicing.



CAUTION: The unit is for general ventilating use only. Do not use to exhaust hazardous or explosive materials and vapors

ALUMINUM FILTERS & HYBRID FILTERS

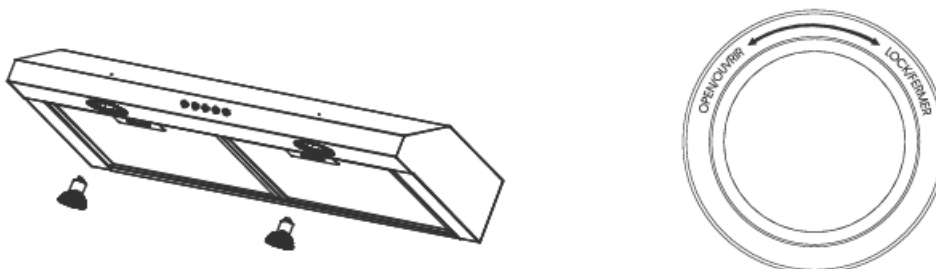
- The grease filters should be cleaned frequently (every two months of operation, or more frequently for heavy use). Use a warm detergent solution.
- Grease filters are washable.



1. Remove the grease filters one by one by pushing down each handle. This will disengage the filter from the hood. Tilt the filter downward and remove.
2. Wash the filters, taking care not to bend them. Allow them to be dry before refitting.
3. When refitting the filters, make sure that the handle is visible from the outside.
4. To install the grease filter, align rear filter in the hood. Push down the handle, push filter into position and release. Make sure the filter is securely engaged after assembly.

LIGHTING

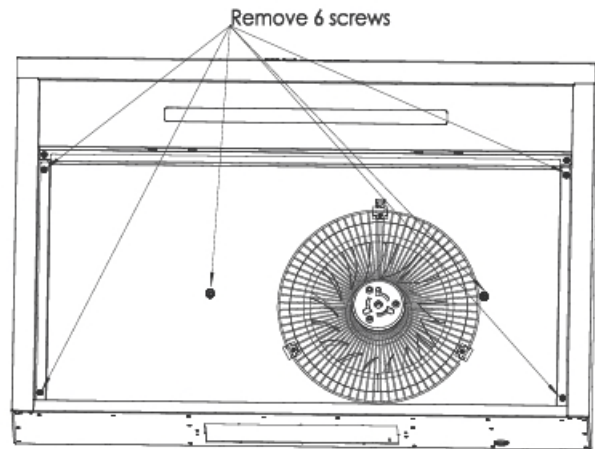
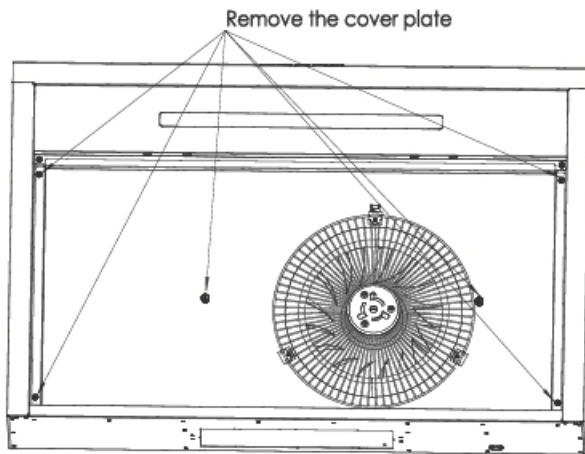
- The hood may use GU10 LED lamp or LED strip lamp.
- To change GU10 LED
 1. Switch off power and allow the bulbs to cool for 5 minutes.
 2. Wear gloves and remove the bulb by pulling sideways (as the direction instructed).



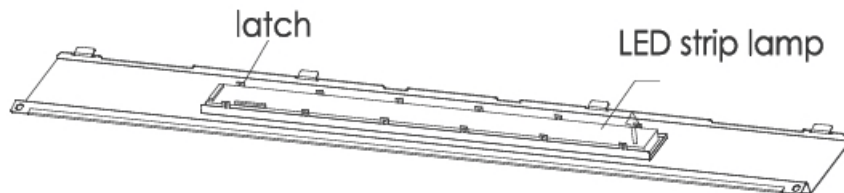
LIGHTING

□ To change LED strip lamp.

1. Remove the cover plate and lamp plate by releasing the screws.



2. Tick straight the latch and remove the LED strip lamp.



The range hood should be cleaned regularly internally and externally to preserve its appearance and performance.



WARNING: Failure to maintain basic standards of care and cleaning of the range hood will increase the risk of fire.

Do

- Clean the range hood periodically with hot, soapy water and a clean cotton cloth.
- Always clean in the direction of original polish lines.
- Always rinse well with clean water two or three times after cleaning. Wipe completely dry with a soft, non-abrasive cloth.
- After cleaning, you may polish with a non-abrasive stainless steel polish or cleaner. Always rub lightly and with the grain.
- Ensure that the venting system is free of debris, if you have one.

Do Not

- Do not use corrosive or abrasive detergents, or any products containing chloride, fluoride, iodide, or bromide on this product, as they will deteriorate the surface rapidly.
- Do not allow cleaning compounds, salt solutions, disinfectants, or bleaches to remain in contact with the product for extended periods of time.
- Do not allow deposits to remain for long periods of time on the range hood. Rinse with water immediately and wipe dry with a clean cloth.
- Do not leave the range hood dirty for long periods of time or allow dirt to accumulate.
- Do not let plaster dust or any other construction residue enter the hood. During construction or renovation, cover the hood.
- Combustible products used for cleaning, such as acetone, alcohol, ether, or benzyl, are highly explosive and should never be used close to a range or stove .



DANGER: Turn off the power circuit breaker or the power switch on the junction box before installing or servicing this unit. Touching circuitry inside the range hood while it is energized will result in death or serious injury.

Problem	Solution
The range hood will not operate.	<ul style="list-style-type: none"> <input type="checkbox"/> Check that the power supply cable and all electrical wiring are properly connected. <input type="checkbox"/> Check that the power is turned on at the junction box or circuit breaker. <input type="checkbox"/> Check that the wiring between the switch board and the control board are connected properly.
The range hood vibrates when the fan is operating.	<ul style="list-style-type: none"> <input type="checkbox"/> Check that the range hood has been secured properly to the wall or cabinet. Tighten it into position, if necessary. <input type="checkbox"/> Check that the motor is secured in place. If not, then tighten the motor in place. <input type="checkbox"/> Check that the fan is not damaged. If so, replace the fan.
The fans seem weak.	<ul style="list-style-type: none"> <input type="checkbox"/> Check the duct size, the range hood will not function efficiently with insufficient duct size. <input type="checkbox"/> Check that the duct is not clogged with debris and the tight mesh on the wall cap, if applicable, isn't restricting air flow. <input type="checkbox"/> Check that the damper unit is opening properly, if applicable.
The lights work, but the fan is not spinning, is stuck, or is rattling.	<ul style="list-style-type: none"> <input type="checkbox"/> The lights work, but the fan is not spinning, is stuck, or is rattling. <input type="checkbox"/> Check that the fan isn't jammed or scraping the bottom. <input type="checkbox"/> If nothing else works, the motor may be defective or seized. If so, replace the motor.
The range hood is not venting properly.	<ul style="list-style-type: none"> <input type="checkbox"/> Check that the distance between the cook top and the bottom of the range hood is min. at 24 in. <input type="checkbox"/> Check that duct work follows all requirements. Use metal duct work with a uniform outlet adapter size. Reduce the length of duct work and the number of elbows if necessary. Ensure that all joints are properly connected, sealed, and taped. <input type="checkbox"/> Check that the duct does not open against the wind. <input type="checkbox"/> Ensure that the power is on high speed for heavy cooking. <input type="checkbox"/> Wind from opened windows or doors may affect the performance of the range hood. Close windows and doors to eliminate outside air flow.
A light does not work.	<ul style="list-style-type: none"> <input type="checkbox"/> Check the light bulb to see if it is loose. If so, tighten. <input type="checkbox"/> Remove the problem bulb and insert one you know is working. If the properly functioning light does not come on, the problem may be the light assembly. Have the light assembly serviced or replaced.