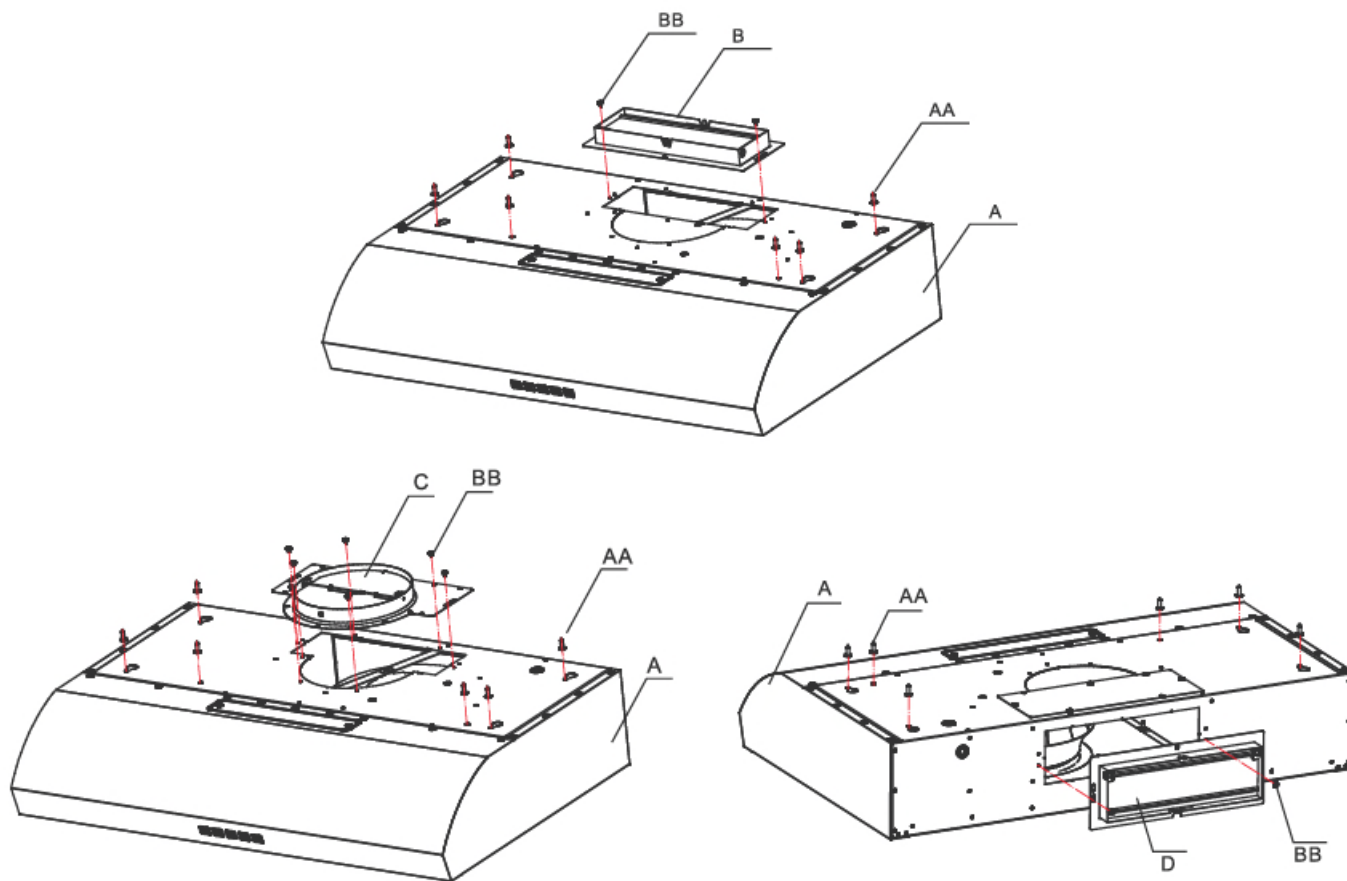


Pre-installation (continued)

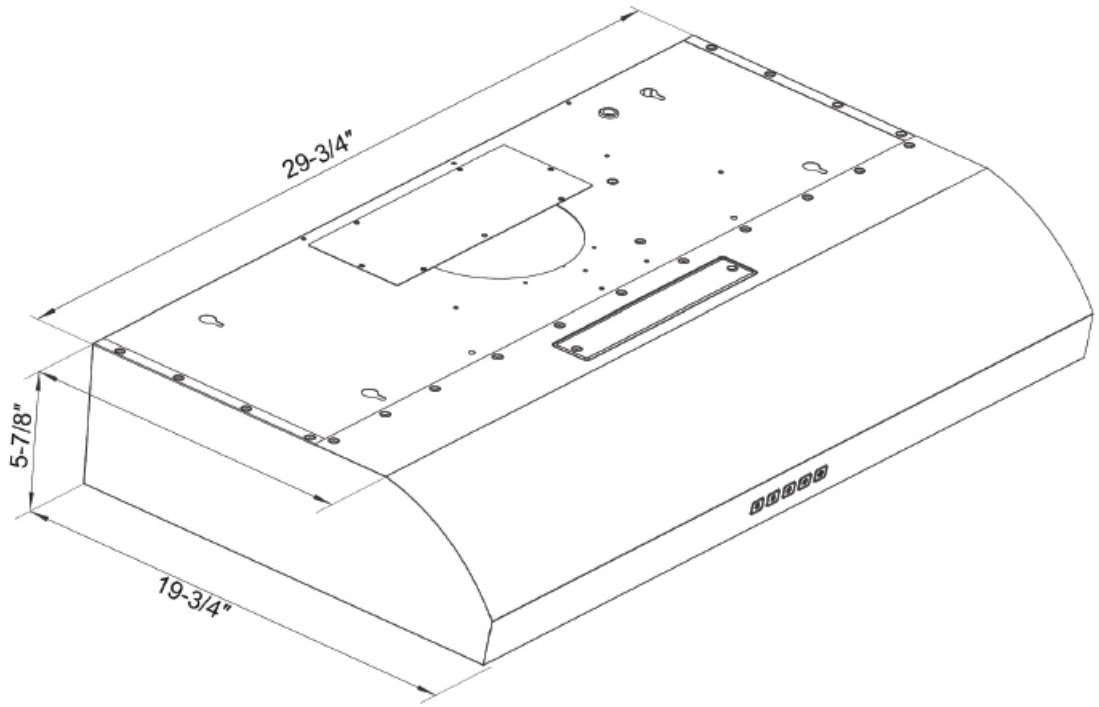
H A U S L A N E

PACKAGE CONTENTS



Part	Description	Quantity
A	Range hood (including filters and lamps)	1
B	Vertical rectangular outlet adapter	1
C	Vertical round outlet adapter	1
D	Horizontal rectangular outlet adapter	1

SPECIFICATIONS



Dimensions	Volts	Hertz	Fan CFM	Speeds	Light Wattage	Stainless Steel Grade
29-3/4"	120	60	600CFM	3	3W x2	430
5-7/8"						
19-3/4"						

PLANNING STALLATION

Carefully check the range hood for damage and for missing parts prior to installation. If there is any damage or missing parts, do not proceed with the installation and report damages and missing parts immediately. Do not dispose of packaging before you are satisfied with your new range hood.

- We will not be responsible for any damages resulting from incorrect or improper installation.
- Please read this instruction manual carefully before installation or using this range hood.
- Only use this range hood in Duct Mode (ducting fume to the outside only).
- Only a qualified and well trained service technician can undertake the installation.
- Check the main voltage corresponds to the voltage indicated on the rating plate inside the hood.
- Check that the domestic power supply and guarantee adequate earthing.
- Do not connect the hood to exhaust ducts carrying combustion fumes (boilers, fireplace etc.).
- If the hood is used in conjunction with non-electrical appliances, a sufficient degree of aeration must be guaranteed in the room in order to prevent the backflow of exhaust gas. The kitchen must have an opening directly with the open air in order to guarantee the entry of clean air.
- The minimum distance is 24 inches above the cooking surface. If the installation instruction has gas hobs specifying a greater distance, this must be taken into account.
- For the stainless hoods, please carefully remove the plastic protective film from the surface of the hood prior to installation.



CAUTION: To reduce the risk of fire and electrical shock, install this range hood on with integral blowers by qualified person.



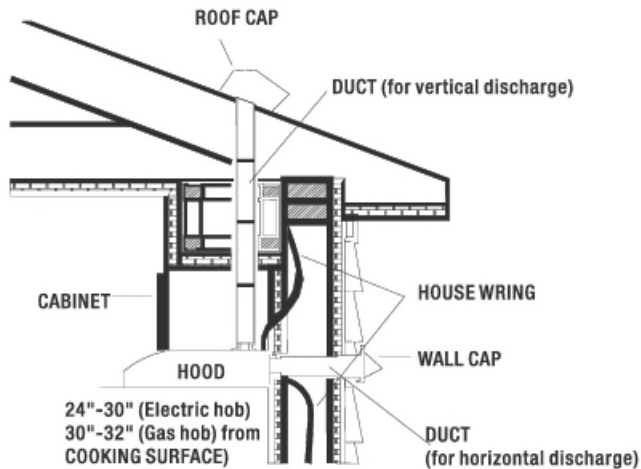
NOTE: Considering heavy weight, two or more people are required to install or move the appliance. Failure to do so can cause physical injuries.

CONNECTION

This hood can be installed in ducted and ductless.

DUCTED VERSION

The duct and the roof/wall cap should be sourced locally.



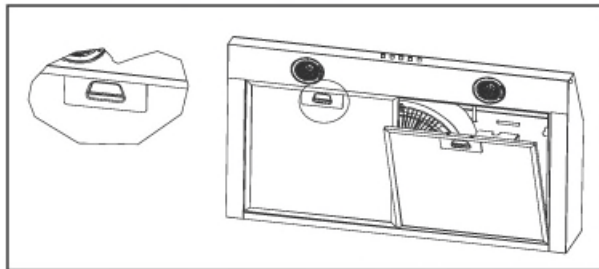
For vertically run ductwork between the hood location and the roof cap or wall cap. For the best result, use a minimum number of transitions and elbows.



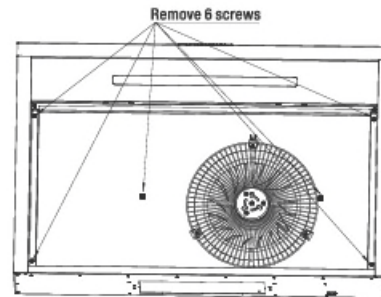
WARNING: To reduce the risk of fire, use only metal duct work.

INSTALLATION

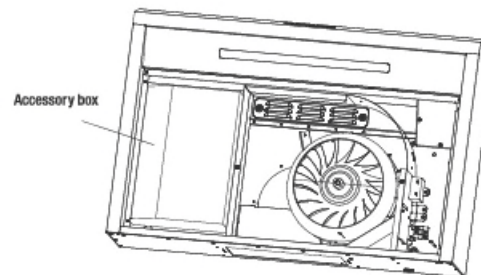
1. Remove the filters by removing the handles.



2. Remove the filters by removing the handles.



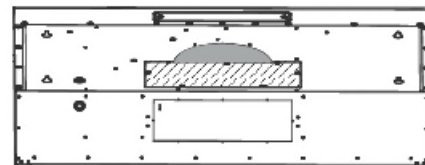
3. Take out the accessory box (included damper, installation screws ect).



4. **Duct installation:**

For 7" round vertical exhaust:

Remove the half round knockout plate from the top of the hood (grey area) by needle nose plier. Remove the rectangular cover plate by releasing 7 screws (crossed area)



Install the 7" round damper (C) by using 7 screws (BB).

