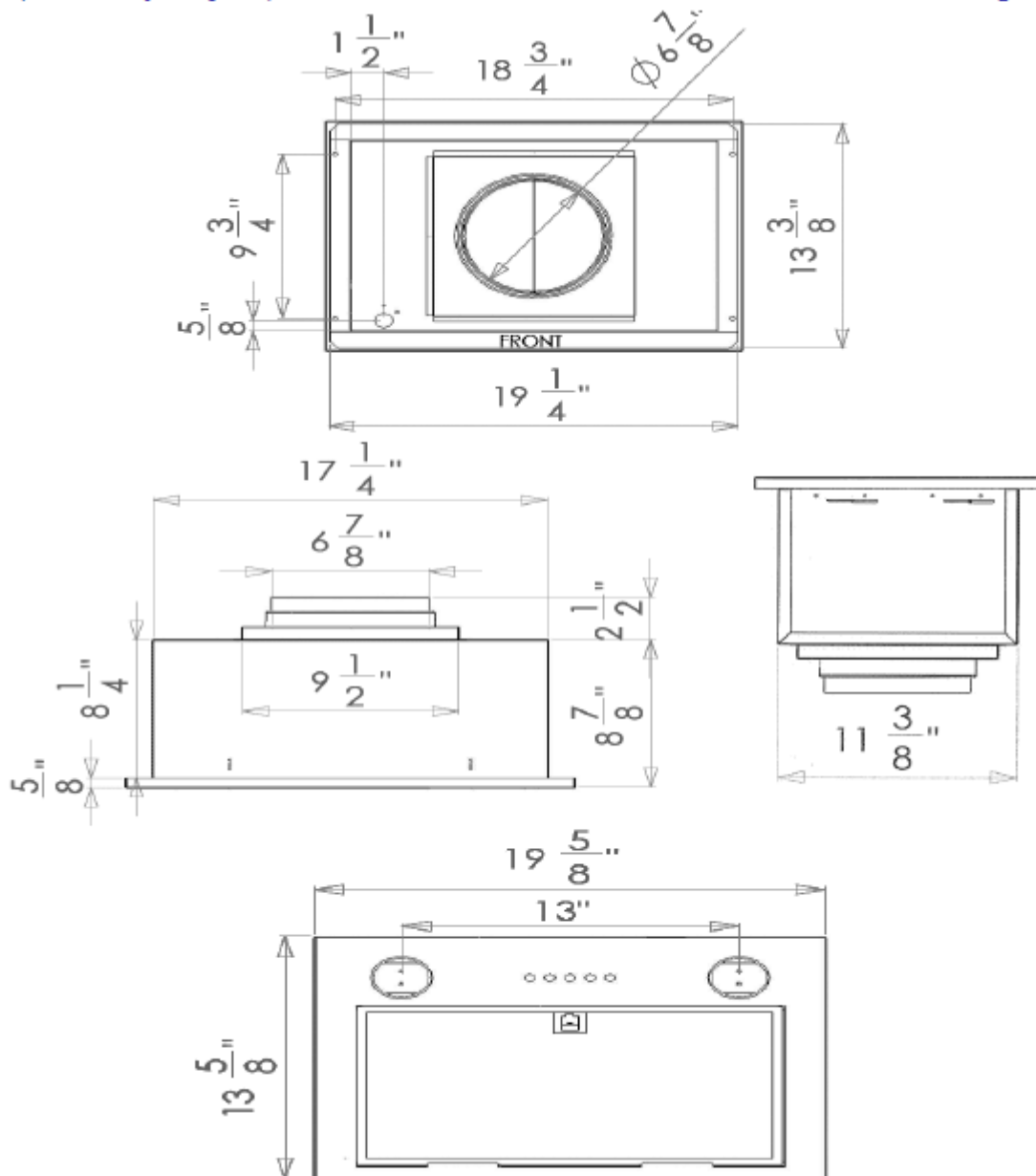
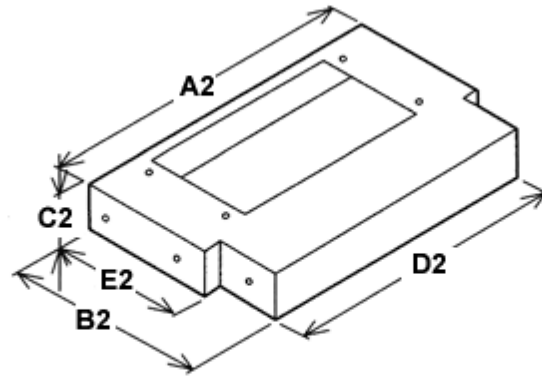


Air-Pro (Formerly Fujioh) 011 and 021 Ventilator Series Dimensions and Specifications

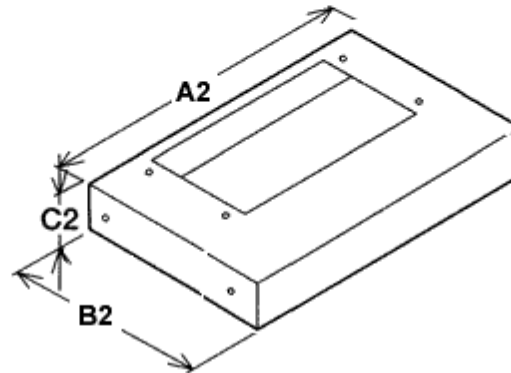


T-Shaped Liners



| Parts | Description | A2 | B2 | C2 | D2 | E2 | Color | Wood Hood |
|--------|--------------|-----------|----------|----|----------|-----------|-------------------------|------------------------|
| FU9092 | T-Shaped 30" | 29-3/4" | 17-3/4" | 4" | 26-3/4" | 11-1/8" | BIS, WH, BK, SM, SUS | Wellborn/ Armstrong |
| FU9095 | T-Shaped 36" | 35-3/4" | | | 32-3/4" | | | |
| FU9123 | T-Shaped 30" | 30" | 16-1/2" | | 26-1/8" | 11-1/8" | WH | |
| FU9124 | T-Shaped 36" | 36" | | | 32-1/8" | | | |
| FU9154 | T-Shaped 30" | 28-3/16" | 18-3/16" | | 24-7/16" | 10-15/16" | SM | Kitchen Craft |
| FU9155 | T-Shaped 36" | 34-3/16" | | | 30-7/16" | | | |
| FU9162 | T-Shaped 30" | 29-15/16" | 18-3/16" | | 24-7/16" | 10-7/8" | SUS | Medallion |
| FU9163 | T-Shaped 36" | 35-15/16" | | | 30-7/16" | | | |

Peninsula Liners



Deeper than standard Rectangular Liner Depths

| Parts | Description | A2 | B2 | C2 | D2 | D2 | Color | Wood Hood |
|--------|---------------|---------|---------|----|----|----|-------|-----------------------------|
| FU9050 | Peninsula 30" | 28-1/2" | 24-3/8" | 4" | - | - | SUS | KraftMaid Cabinetry, Inc |

| Standard Rectangular Liners | | | | | | | | |
|-----------------------------|---------------------------------|-----------|-----------|----|---|---|----------------------|------------------------------------|
| FU9106 | Rectangular 30" | 28-7/16" | 18-3/16" | 4" | - | - | BIS, WH, BK, SM, SUS | KraftMaid Cabinetry, Inc/ Tru-Wood |
| FU9107 | Rectangular 36" | 34-7/16" | 18-3/16" | | | | | |
| FU9130 | Rectangular 30" | 28-7/16" | 17-5/16" | | - | - | SUS | Huntwood |
| FU9131 | Rectangular 36" | 34-7/16" | | | - | - | | |
| FU9134 | Rectangular 30" | 28-1/2" | 18-3/16" | | - | - | BIS, WH, BK, SM, SUS | YorkTowne |
| FU9135 | Rectangular 36" | 34-1/2" | | | - | - | | |
| FU9139 | Rectangular 30" | 28-7/16" | 22-1/2" | | - | - | BIS, WH, BK, SM, SUS | YorkTowne |
| FU9140 | Rectangular 36" | 34-7/16" | | | - | - | | |
| FU9141 | Rectangular 42" | 40-7/16" | | | - | - | | |
| FU9142 | Rectangular 48" | 46-7/16" | | | - | - | | |
| FU9143 | Rectangular 54" | 52-7/16" | | | - | - | | |
| FU9144 | Rectangular 48" Dual Cut Out | 46-7/16" | 22-1/2" | | - | - | BIS, WH, BK, SM, SUS | YorkTowne |
| FU9145 | Rectangular 54" Dual Cut Out | 52-7/16" | | | - | - | | |
| FU9156 | Rectangular 30" | 25-15/16" | 17-15/16" | | - | - | SM | Kitchen Craft |
| FU9157 | Rectangular 36" | 31-15/16" | | | - | - | | |
| FU9158 | Rectangular 42" | 37-15/16" | | | - | - | | |
| FU9159 | Rectangular 48" | 43-15/16" | | | - | - | | |
| Mantel Liners | | | | | | | | |
| FU9136 | Mantel 30" | 28-7/16" | 19-1/2" | 4" | - | - | BIS, WH, BK, SM, SUS | YorkTowne |
| FU9137 | Mantel 36" | 34-7/16" | | | - | - | | |
| FU9138 | Mantel 42" | 40-7/16" | | | - | - | | |
| FU9160 | Mantel 30" | 29-15/16" | 17-3/16" | 4" | - | - | SUS | KraftMaid Cabinetry, Inc |
| FU9161 | Mantel 36" | 35-15/16" | | | - | - | | |

Recirculating Filter Kit

