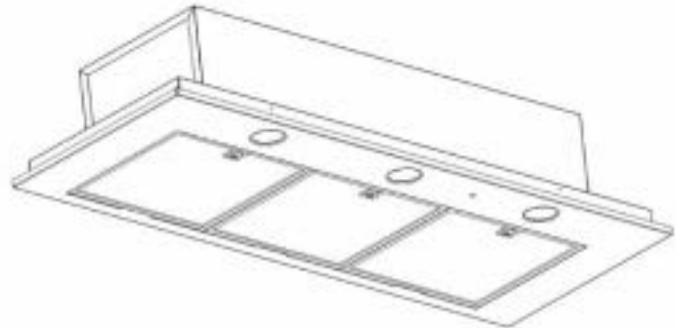


INSTALLATION INSTRUCTIONS & USE & CARE GUIDE 08E W/P Series Models

Model	Front Panel Dimensions
08E W/P	17-5/8" x 45"



Before beginning installation, please thoroughly read and become familiar with these instructions. Installation and service must be completed by a qualified installer. Failure to properly install this product may void the warranty.

Installer: Please leave Installation Instructions with the range hood liner.

Owner: Please keep Installation Instructions for local electrical inspector's use and for future reference.

WARNINGS: Must be followed carefully to avoid personal injury.

IMPORTANT: Must be followed carefully to avoid damage or incorrect installation.

TIPS: Contain helpful information to facilitate installation.

READ AND SAVE THESE INSTRUCTIONS

WARNING! TO REDUCE THE RISK OF FIRE, ELECTRICAL SHOCK, OR INJURY TO PERSONS OBSERVE THE FOLLOWING:

- Use this unit only in the manner intended by the manufacturer. If you have any questions, please contact the manufacturer at the address or telephone number listed in the warranty.
- Before servicing or cleaning unit, switch power off at service panel and lock service panel and lock the service disconnection means to prevent power from being switch on accidentally. When the service disconnecting means cannot be locked, securely fasten a prominent warning device, such as a tag to the service panel.

CAUTION -- For general ventilating use only. Do not use to exhaust hazardous or explosive materials and vapors.

WARNING – TO REDUCE THE RISK OF A RANGE TOP GREASE FIRE:

- Never leave surface units unattended at high settings. Boilovers cause smoking and greasy spillovers that may ignite. Heat oils slowly on low or medium settings.
- Always turn hood ON when cooking at high heat or when flambéing food (i.e. Crepes Suzette, Cherries Jubilee, Peppercorn Beef Flambe').
- Clean ventilating fans frequently. Grease should not be allowed to accumulate on fan or filter.
- Use proper pan size. Always use cookware appropriate for the size of the surface element.

WARNING! TO REDUCE THE RISK OF INJURY TO PERSONS IN THE EVENT OF A RANGE TOP GREASE FIRE, OBSERVE THE FOLLOWING:

- a) SMOTHER FLAMES with a close-fitting lid, cookie sheet, or metal tray, then turn off the burner. BE CAREFUL TO PREVENT BURNS. If the flames do not go out immediately, EVACUATE AND CALL THE FIRE DEPARTMENT.
- b) NEVER PICK UP A FLAMING PAN—YOU MAY BE BURNED.
- c) DO NOT USE WATER, including wet dishcloths or towels. A violent steam explosion will result.
- d) Use an extinguisher ONLY if:
 - 1. You know you have a Class ABC extinguisher and you already know how to operate it.
 - 2. The fire is small and contained in the area where it started.
 - 3. The fire department is being called.
 - 4. You can fight the fire with your back to an exit.

Recommendations:

- 1. Consult a licensed ventilation contractor or qualified technician for proper installation of exhaust ducting. Locate the cooking area for minimum cross drafts-away from doors and windows, when possible.
- 2. Ducts must be of adequate size and duct runs should be as short as possible. Where turns are necessary, keep turning radius as large and as smooth as possible.
- 3. The ducting must be air tight. Use a minimum of 2 sheet metal screws at every duct joint. Then, seal the duct joints with high quality duct tape.
- 4. Do not use this unit with any solid-state speed control device.
- 5. This unit must be grounded.

INSTALLATION INSTRUCTIONS

WARNING – TO REDUCE THE RISK OF FIRE, ELECTRIC SHOCK, OR INJURY TO PERSONS, OBSERVE THE FOLLOWING:

- a) Installation work and electrical wiring must be done by qualified person(s) in accordance with all applicable codes and standards, including fire-rated construction codes and standards.
- b) Sufficient air is needed for proper combustion and exhausting of gasses through the flue (chimney) of fuel burning equipment to prevent back drafting. Follow the heating equipment manufacturer's guidelines and safety standards such as those published by the National Fire Protection Association (NFPA) and the American Society for Heating, Refrigeration and Air Conditioning Engineers (ASHRAE) and the local code authorities.
- c) When cutting or drilling into wall or ceiling, do not damage electrical wiring and other hidden utilities.
- d) Ducted fans must always be vented to the outdoors.

WARNING -- TO REDUCE THE RISK OF FIRE, USE ONLY METAL DUCTWORK.

CAUTION – To reduce the risk of fire and to properly exhaust air, be sure to duct air outside – Do not vent exhaust air into spaces with in walls or ceilings or into attics, crawl spaces, or garages.

CONTENTS:

- Part 1 - Preparation
- Part 2 - Range Hood Mounting
- Part 3 - Planning the Installation
- Part 4 - Securing the Liner
- Part 5 - Use & Care
- Part 6 - Electrical Connection (Copy to Electrician)

PART 1 Preparation

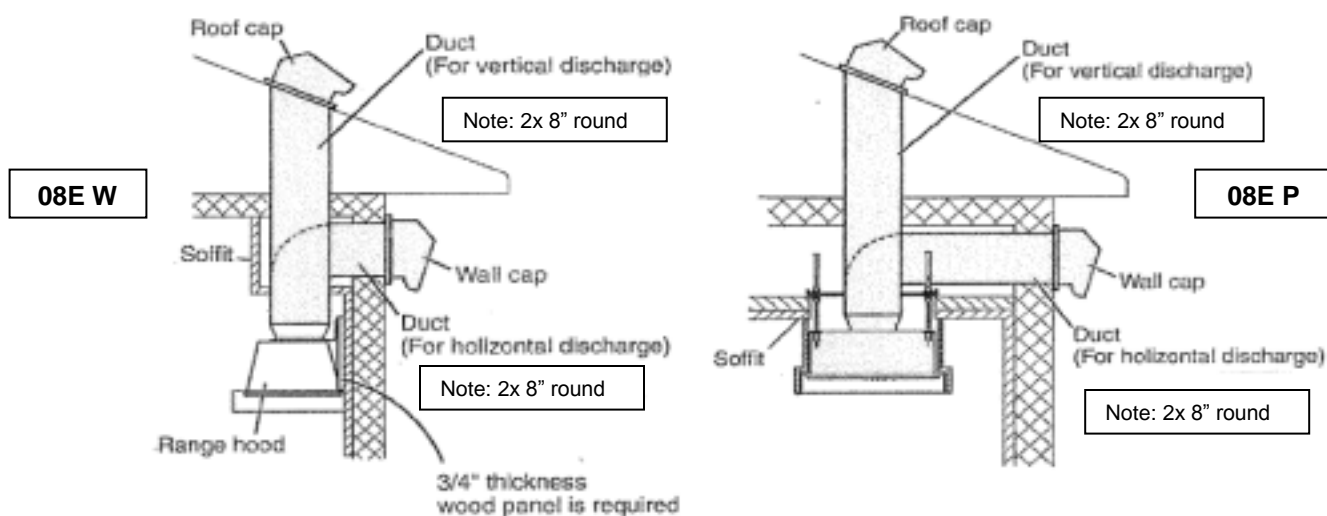
The following method is the standard installation. There may be some different cases depending on the structure where the mounting bracket is placed or the shape and mounting condition of the wood hood. In such a case, please arrange best possible way according to the condition of the place where the range hood is being installed.

WARNING!

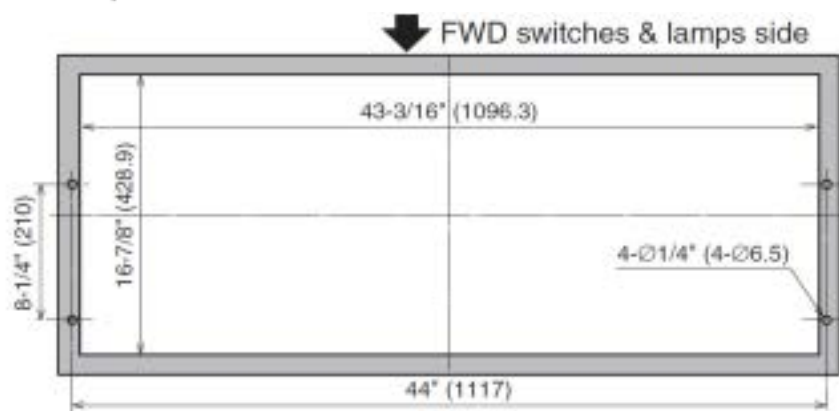
- If the range hood is not installed properly, it could become detached and fall.
- Ensure that the metal duct does not touch other metal/housing materials, otherwise fire or electric shock could result.

This range hood is designed to discharge upward from the unit, but may vent horizontal above the unit. For vertical discharge, run duct work between the hood location and roof cap location.

To get the best result, use a minimum number of transitions and elbows. Be sure to attach a roof/wall cap to avoid rain from entering the exhaust duct.



The range hood unit should be mounted to a liner which has the dimensions stated in diagram. Install the liner securely after checking that the opening size of the liner is the same as the figure shown.



CAUTION

- The liner shape illustrated in this installation manual is only for reference.
- When the liner is installed in the wooden hood, the inside of the wooden hood placed above the cooking surface must be fully covered by the metal barrier including bottom edges. Select a suitable liner and metal barrier according to the size and shape of the wooden hood and install properly.
- The liner should be installed tightly. If the liner installation is not correct, the range hood unit may become detached and fall.

Installation Instructions, Revised 02/11/14

PART 2 Range Hood Mounting

Important Installation Note

Removal of the front panel

Before removing the stainless steel front panel on the unit, you must first remove the aluminum knob on the dimmer switch. This is accomplished by loosening the set screw located on the side of the knob, by means of an allen wrench (not supplied). Loosen the set screw slowly, until you can slide the knob off the shaft of the switch.

Proceed in removing the screws that hold up the front panel. Hold the front panel in place as you loosen the screws so that the front panel does not fall onto the cook top.

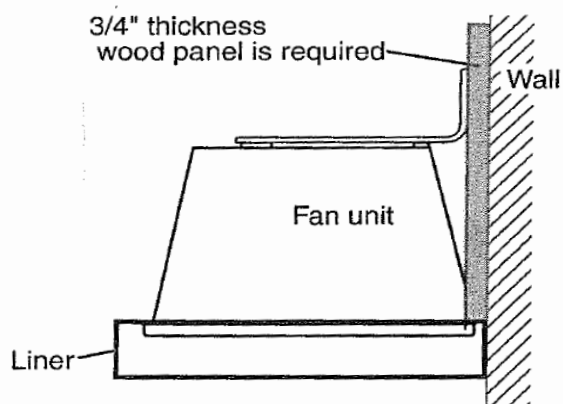
When putting back on the front panel and aluminum knob, DO NOT over tighten the set screw as this can cause damage to the threads in the knob.

Mounting procedure for 08E W (Wall Mounting)

Before mounting, make sure that a wood panel for mounting the range hood is fixed on the wall where the range hood is installed.

Note:

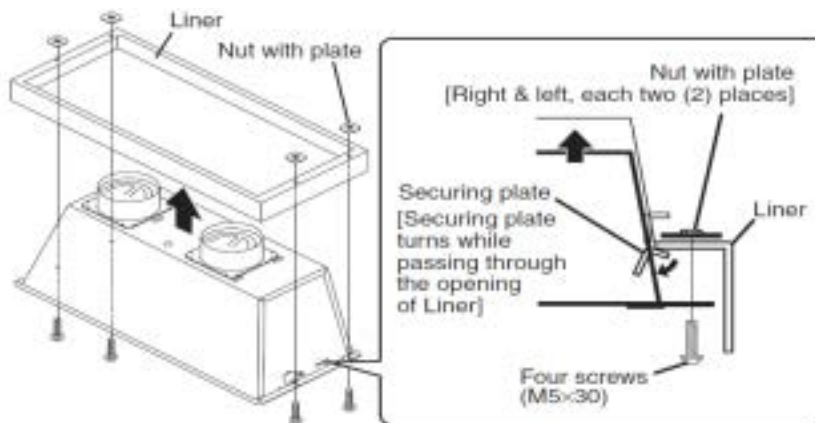
If no wood panel is found on the wall, be sure to prepare one referring to the figure.



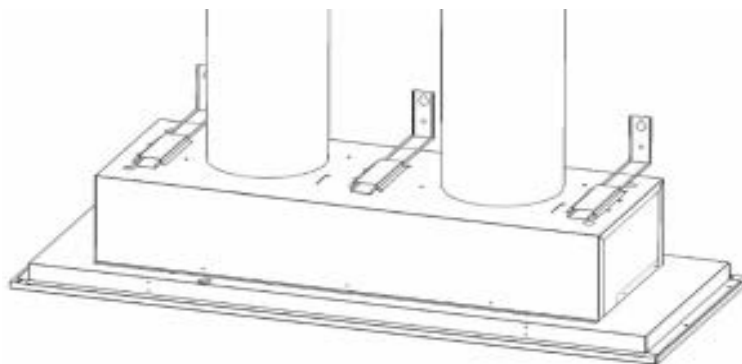
Align 4 screw holes of the liner and range hood, then fix securely using the supplied screws (M5×30) and nuts.

Note:

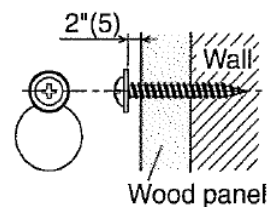
Fasten all the screws and nuts evenly.



Fix the supplied hanging brackets on the body firmly.



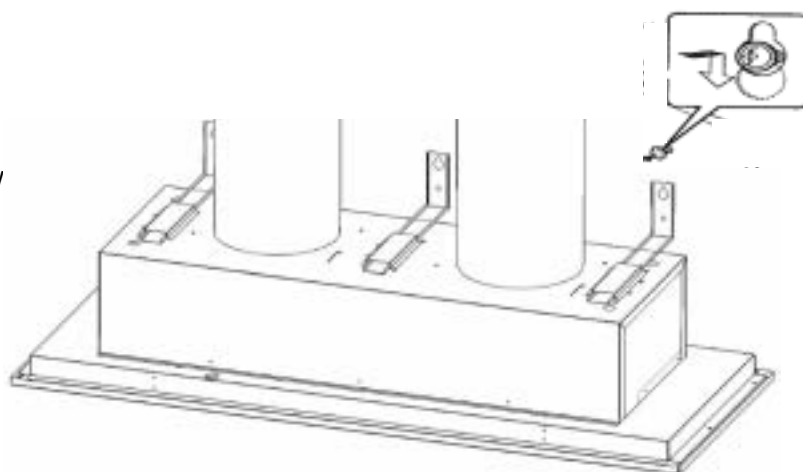
Insert the washer-head wood screws (M5.1×45) (not supplied) into the mounting wall to align with bracket keyhole (left and right). Allow about 5mm between the screwheads and wall for mounting the range hood.



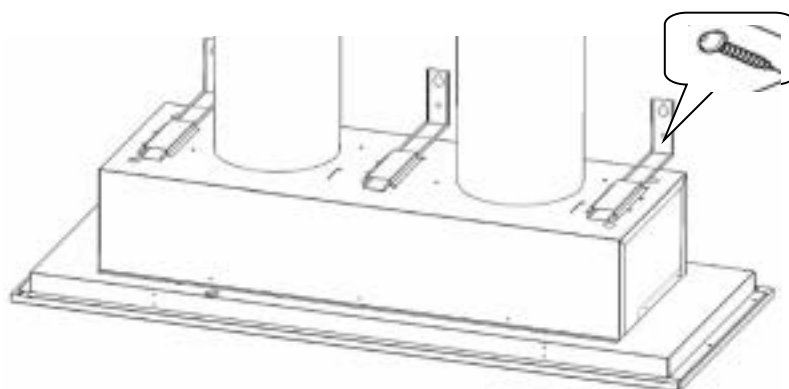
Hook the temporary fixing holes of the hanging bracket on the washer-head wood screws prepared in previous step, and tighten the screw

Note:

Insert tight the exhaust pipe unit into the duct.



Add 2 screws (M5.1×45) to the holes under the temporary fixing holes and tighten them securely.



Make the duct joint secure and airtight using non-flammable tape such as aluminum tape, etc. (not supplied)



ATTENTION INSTALLERS

Mounting brackets for both the wall and island installations are included.

Please refer to accessories for proper mounting bracket for your installation.

Wall Mount uses the three L-Shaped hanging brackets.
(Discard the large rectangular mounting bracket.)

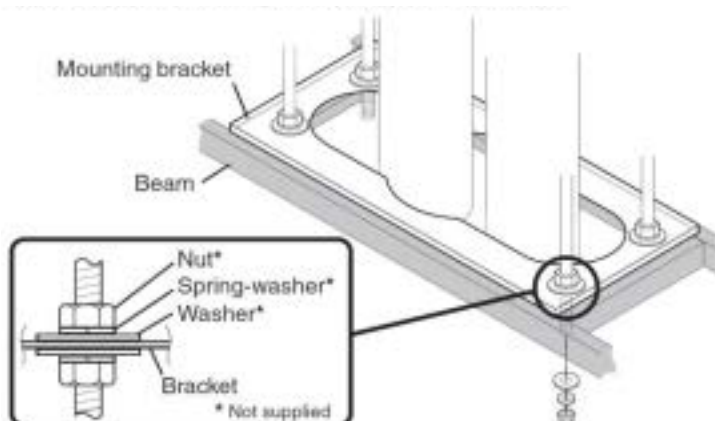
Island Mount uses the large rectangular mounting bracket.
(Discard the three L-Shaped hanging brackets.)

Mounting procedure for 08E P (Ceiling Mounting)

Put 4 all thread rods (1/2" anchor bolt, not supplied) into the corner holes of the mounting bracket, and secure them using washers, spring washers, and nuts. Place the mounting bracket on the beam of the ceiling as shown.

Note:

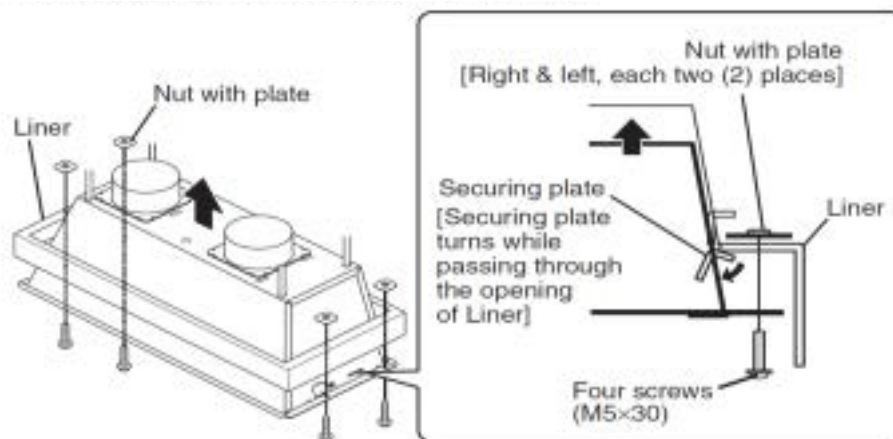
The mounting bracket should be securely fastened at this point to simplify installing the range hood later.



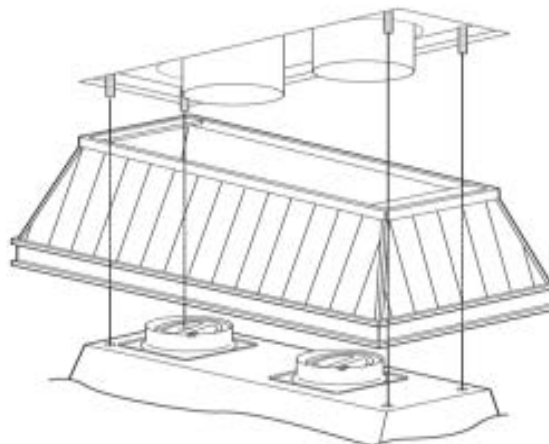
Align 4 screw holes of the liner and range hood, then fix securely using the supplied screws (M5x30) and nuts.

Note:

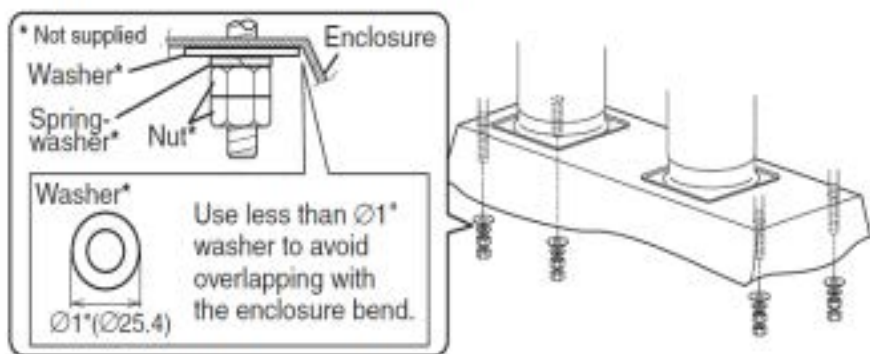
Fasten all the screws and nuts evenly.



Hold up the range hood, while inserting the exhaust pipe unit into the duct, pass all 4 threaded rods through the holes of the mounting bracket.



Using washers, spring washers, and double nuts, attach the range hood to all 4 threaded rods securely.



Note:

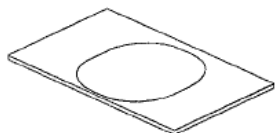
If taping from the outside is impossible, remove the exhaust pipe unit and insert the duct end to the range hood directly, then make inside taping on the duct end. Be sure to attach a roof/wall cap with damper in this case.

ACCESSORIES

08E W/P



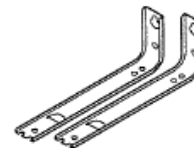
Nut with plate
Four (4) pieces



IslandMount bracket
one (1) piece



Screw M4x10
four (4) pieces



Wall Hanging bracket
three (3) pieces

SPECIFICATION SHEET - 08E W/P

08E W/P VMI, Inc. Blower unit, Individual Specifications Dated January 8, 2014

Model:	08E W/P Stainless Steel Front Cover Panel
Safety Standards:	C-UL-US Listed
Dimensions:	
Front Panel:	17 7/8" Deep x 45" Wide
Housing Height:	9 1/2" High (with Dampers, 10 1/2" High)
Weight:	35 lbs
Rated Voltage:	120 Volts
Rated Frequency:	60 Hz
Air Flow:	Depends on In-line or Remote Blower CFM
Noise Level:	N/A
Duct Dimension:	(2) 8" Round Duct
Exhaust Direction:	Vertical Discharge from top, Horizontal with Elbow
Installation:	At 4 places on flange of body, use screws and nut plates for mounting to Liner Wall mount with brackets provided, Island with threaded rod, not provided
Materials:	Front Cover Panel - 304 Grade Stainless Steel, # 4 Brush Finish Housing Body - Electro-Galvanized Steel Filters - Aluminum Mesh
Switch:	Variable 5 Amp Speed Control
Lighting:	(3) 50 Watt MR16-GU10 Halogen Lamps
Electrical Wiring:	PVC, 18 AWG
Accessories:	Nut Plates with screws, Island Mount Panel & (3) Wall Brackets
Optional Parts:	Metal Liners, Rectangular & Custom Sized
Manual:	Installation/Operation Manual

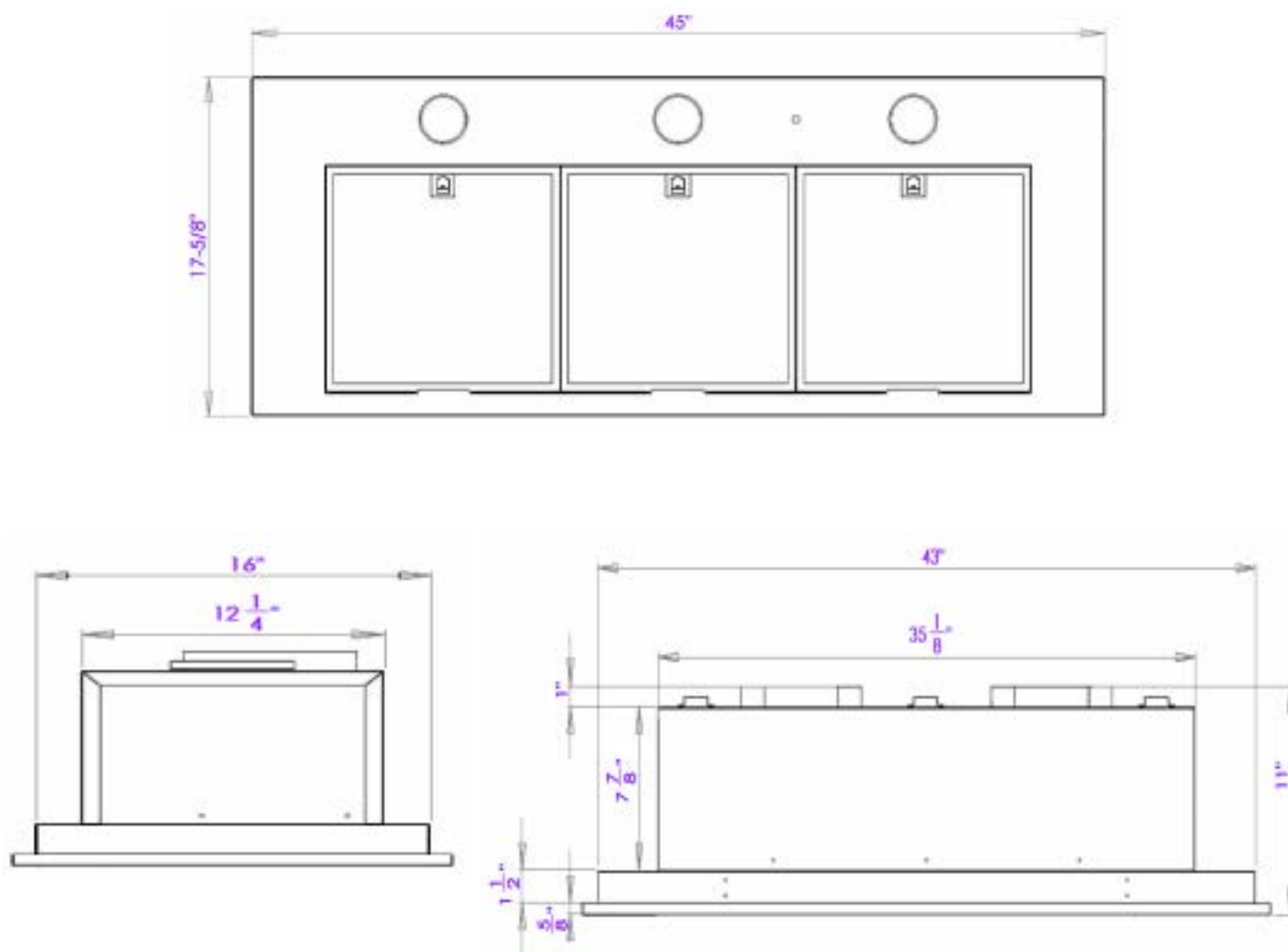
PART 3 Planning the Installation

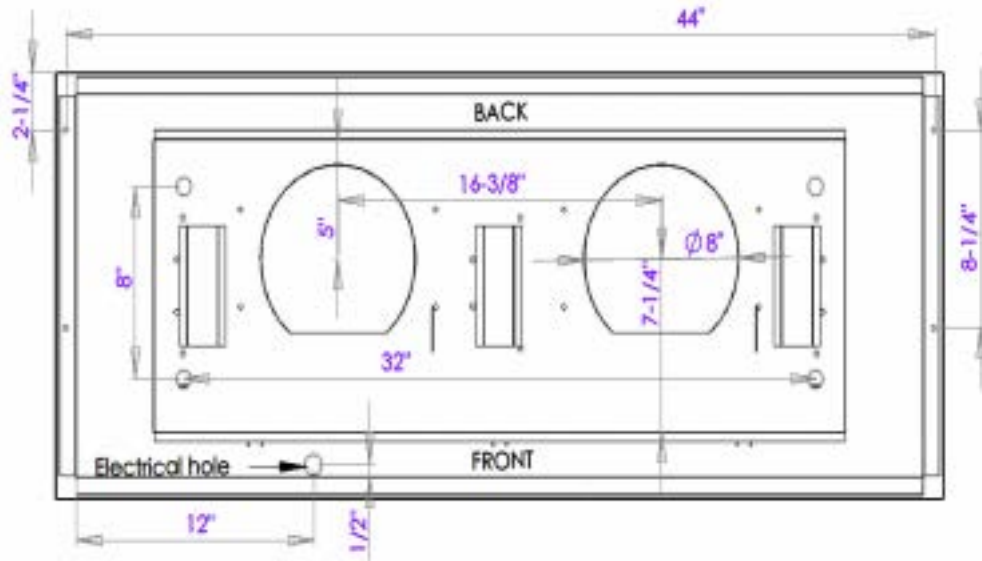
The 08E W/P series ventilation modules are designed for installation inside wood hood canopies. Proper installation of the liner is directly related to the material from which the custom canopy is constructed. A qualified person must complete the installation of this unit. Plan the installation so that all minimum clearances are met or exceeded. Dimensions shown provide minimum clearances, unless otherwise specified. **Important:** You must provide structural framing and tight backing in the areas in which you are securing the liner inside your custom canopy. Failure to do so could distort and damage the liner and void the warranty.

Always install ventilation products with an approved wall or roof cap. Duct performance is improved by using round, smooth metal duct work instead of rectangular. If multiple elbows must be used, ensure that there is a minimum of 24" of straight duct between any two elbows. Avoid "S" or back to back configurations caused by adjacent elbows. Do not rely on duct tape alone to seal duct joints. Use sheet metal screws as required to support the duct.

WARNING!

For maximum ventilation performance, the bottom of the hood or liner should be 30 - 36 inches (76.2 - 91.4 cm) above the cooking surface (minimum is 24"). This would typically result in the bottom of the hood being 66 - 72 inches (167.6 - 182.9 cm) above the floor. These dimensions provide for safe and efficient operation of the hood. Always observe local building codes.





PART 4 Securing the Liner

MOUNTING THE LINER

Note: Some hoods will have 1/8" thick wood shims installed on all four sides of the inside of the hood and some hoods will not have shims. This is due to design variations.

Insert the liner into the hood with the bottom of the liner flush with the bottom of the hood. In most cases you should have a friction fit. If the liner does not have a friction fit you can use tape to temporarily hold the liner in place. With the liner in position, drill a 3/32" (0.094) diameter pilot hole 1/8" (0.125) deep in each hole location. Secure the liner to the hood using a # 8 x 1/2" (0.500) pan head wood screw (provided). It is highly recommended the screws be hand driven to reduce the risk of spinning the screws out in the wood.

In the event you have a hood with wood shims and the fit is too tight, simply remove one or more of the shims to get a proper fit.

Note: All the mounting holes should be used to ensure adequate installation.

CONNECTING TO THE VENT PIPE

The 08E W/P series ventilation modules come with a metal start collar. Attach the Start Collar to the duct with at least three equally spaced screws. Also apply duct tape, preferably the metal type. Some installations, (where the outside of this portion of the duct is not accessible) will require the metal tape be applied on the *inside* of the duct.

PART 5 Use and Care

WARNING!

Do NOT operate the blower / ventilator system without the filters in place, or with dirty, grease laden filters.

OPERATING CONTROLS:

Always activate the ventilator when using cooking appliances. For best performance, turn on the blower a few minutes before starting to cook to establish an airflow pattern within the room. Adjust the fan speed as needed. The center control adjusts the halogen lights and the right control adjusts the right blower. Left control adjusts the left blower.

 **ENERGY SAVING TIPS:**

Eliminate air currents in the vicinity by shutting nearby windows and doors, turning off ceiling fans and adjusting the adjacent heating and air conditioning outlets if necessary. Place your largest pans on the rear burners whenever possible. Clean filters and grease laden surfaces often to improve efficiency. Always use lids on cookware to retain heat and moisture. Minimize the amount of liquid used to cook food. Select cookware of proper size, material and construction for the cooking task being performed.

 **CARE & CLEANING:**

Proper cleaning is necessary to maintain performance and appearance, while also ensuring safe operation. The frequency of cleaning should be according to the type and amount of cooking. Best results will be achieved by cleaning soiled components as soon as possible. Filters must be cleaned regularly. Remove the filter(s) by grasping the D ring on the filter front and pulling gently. Grasp the front of the filter to remove it. To reinstall the filter, place the back edge of the filter into the back filter bracket. Lightly push the filter toward the back of the liner while pressing the front side upwards into place.

The filters may be cleaned by hand washing in hot water using a mild detergent solution or by placing in an automatic dishwasher. Dry the filters before reusing.


CAUTION: Most common scrubber type pads will scratch the liner. If a commercially available stainless steel cleaner is used, it is important to read the labels for chlorine compounds. Chlorine is a corrosive substance. If these compounds are present, rinse thoroughly and dry with a soft lint-free cloth. Follow polish manufacturer's instructions. Always wipe stainless steel surfaces with the grain. Never wipe across the grain. After cleaning, reinstall the filters carefully.

 **HALOGEN LIGHT BULBS:**

Blowers are designed for 50 watt MR16-GU10 Halogen Lamp. They can be purchased at most home or grocery stores, e.g., Lowe's, Home Depot, McCoy's, Menards or Ace True Value.


PART 6 Electrical Connection

IMPORTANT: Copy this page and the next page for your electrical installer.

 **WARNING!** Ensure that the power supply is disconnected before proceeding. Verify that the power supply matches the ratings found on the appliance data label before proceeding. The complete appliance must be properly grounded at all times when electrical power is applied. Do not ground the appliance with the neutral (white) house supply wire. A separate ground wire must be utilized. Failure to complete electrical connections properly may result in damaged or non-functional systems. Follow instructions carefully to ensure proper installation.

It is the owner's responsibility to ensure that a qualified person performs the electrical connection of this appliance. The electrical installation, including minimum supply wire size, must comply with the National Electric Code ANSI/NFPA 70-1990 (or latest revision) and local codes and ordinances. A copy of this standard may be obtained from: National Fire Protection Association, 1 Batterymarch Park, Quincy, Massachusetts 02269-9101

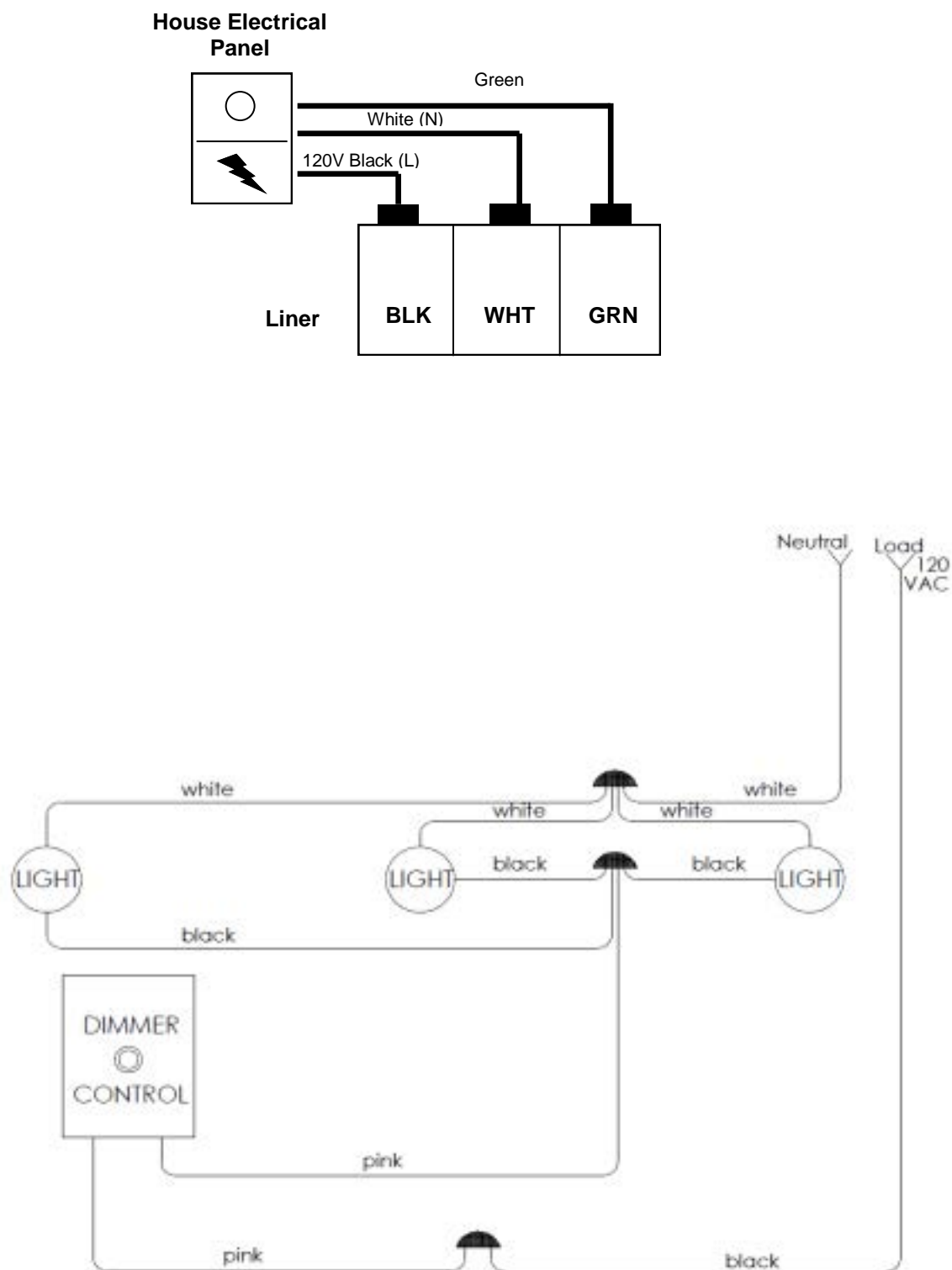
INSTRUCTIONS: A 15 to 20 amp electrical service is recommended for proper electrical supply. Before determining, calculate amp ratings based on the product label found on the 08E W/P series module. Always observe local building codes. Always use a dedicated circuit. Line load is calculated by adding the amperage of the halogen lights to the rated amperage of the ventilator. If the ventilator is rated in watts rather than amps, divide the watts by 120 and this will give you the amperage rating.

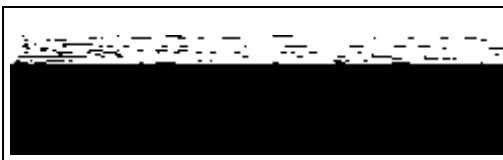
 **CAUTION:** The neutral wire (usually white) for the ventilator must connect to the same neutral wire that comes from the electrical panel to the liner.

Factory Installed Variable-Speed Wiring Details

Black	120 volt AC from electrical panel (usually black)
White	Neutral from electrical panel (white)
Green	Ground from electrical panel (usually green)

Wiring Diagram 08E W/P Series Models





WARRANTY

Air-Pro™ Brand Ventilation Products

What is Covered

VMI Inc. warrants its **Air-Pro™** brand products to the original user, to be free of defects in materials and workmanship for three (3) years from the date of purchase.

VMI Inc., at its option, will repair or replace the complete unit or any defective component without charge providing that, if requested, the product or defective component is promptly returned, prepaid to the address below. This warranty may be voided if any unauthorized service, alterations or repairs are made to the product.

What is Not Covered

- Normal maintenance and service of any product that has been subject to misuse, negligence, accident or installation inconsistent with the recommended installation instructions
- Product used other than for normal in-home use or products used outside of the United States and Canada.
- Damage to the product caused by accident, fire, flood or other acts of God.
- Service calls to educate the customer in the proper use and care of the product, correct faulty installation, change fuses or reset breakers.

VMI Inc. disclaims and excludes any liability for implied warranties or for incidental or consequential damages wherever permitted by law. There are no implied warranties of merchantability or fitness for a particular use or purpose. This warranty gives you specific legal rights and you may also have other rights, which vary from state to state.

For Service

If you need service, contact Customer Service at the address or phone number below. Provide the model number, part identification and details of the problem. Proof of purchase must be provided.



Rev. 04/13