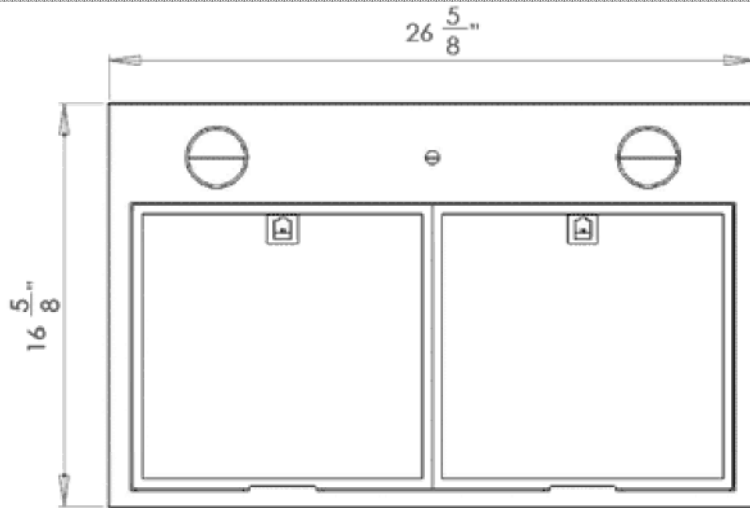
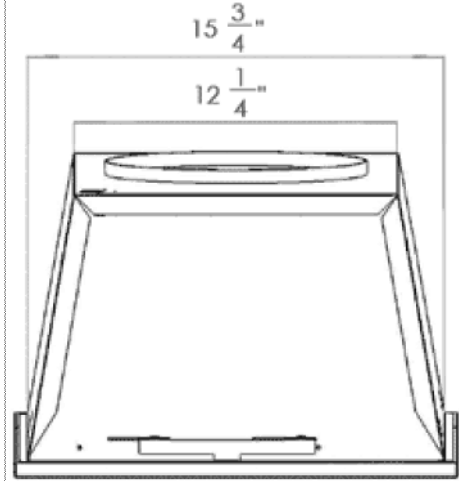
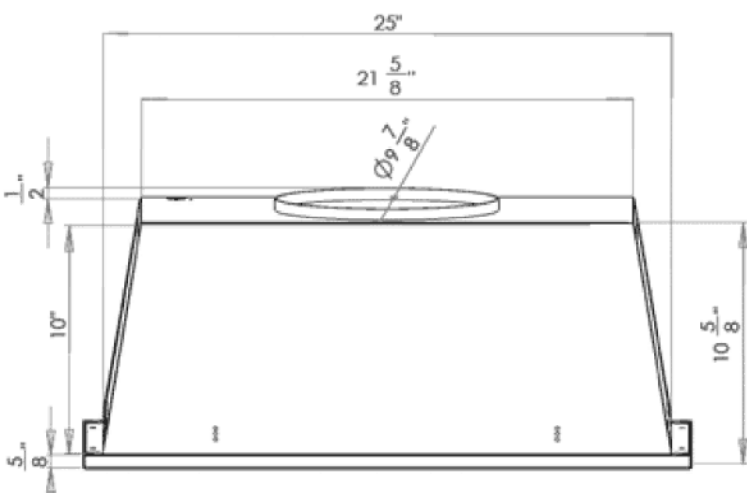
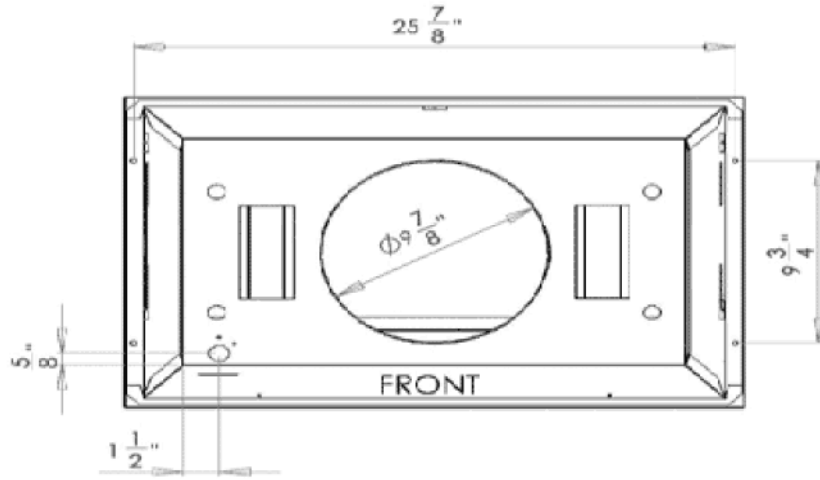
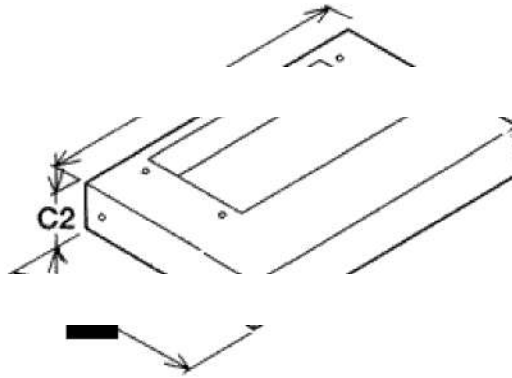


06E Series Power Packs Specs



Deeper than standard Rectangular Liner Depths

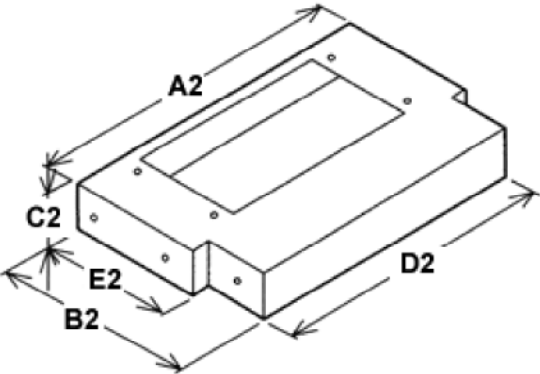


Air-Pro (Formerly Fujioh) Rectangular Liners
 For Use with Air-Pro Blowers 06W/P, 07W/P and 06E

Rectangular Stainless Steel Wall Mount

Part	Description	A2	B2	C2
FU-9040	Wall Hood 36"	34-1/2"	21-7/16"	4"
FU-9041	Wall Hood 42"	40-1/2"	21-7/16"	4"
FU-9042	Wall Hood 48"	46-1/2"	21-7/16"	4"
FU-9043	Wall Hood 54"	52-1/2"	21-7/16"	4"
FU-9045	Mantel 36"	35-15/16"	20-3/16"	4"
FU-9046	Mantel 42"	41-15/16"	20-3/16"	4"
FU-9047	Mantel 48"	47-15/16"	20-3/16"	4"
FU-9048	Mantel 54"	53-15/16"	20-3/16"	4"
FU-9049	Mantel 60"	59-15/16"	20-3/16"	4"
FU-9125	Rectangular 30"	28-7/16"	18-3/16"	4"
FU-9126	Rectangular 36"	34-7/16"	18-3/16"	4"
FU-9146	Mantel 30"	28-7/16"	19-1/2"	4"
FU-9147	Mantel 36"	34-7/16"	19-1/2"	4"
FU-9148	Mantel 42"	40-7/16"	19-1/2"	4"
FU-9149	Mantel 30"	28 7/16"	22 1/2"	4"
FU-9150	Mantel 36"	34 7/16 "	22 1/2"	4"
FU-9151	Mantel 42"	40 7/16 "	22 1/2"	4"
FU-9152	Mantel 48"	46 7/16 "	22 1/2"	4"
FU-9153	Mantel 54"	52 7/16 "	22 1/2"	4"
FU-9169	Rectangular 42"	40 7/16 "	18 3/16 "	4"
FU-9171	Rectangular 48"	46 7/16 "	18 3/16 "	4"

Deeper than standard Rectangular Liner Depths



Air-Pro (Formerly Fujioh) T Shaped Liners
 For Use with Air-Pro Blowers 06W/P, 07W/P and 06E

Model #	Colors	A2	B2	C2	D2	E2
FU-9115 T Shaped 36"	Stainless	35-3/4"	17-3/4"	4"	32-3/4"	11-1/8"