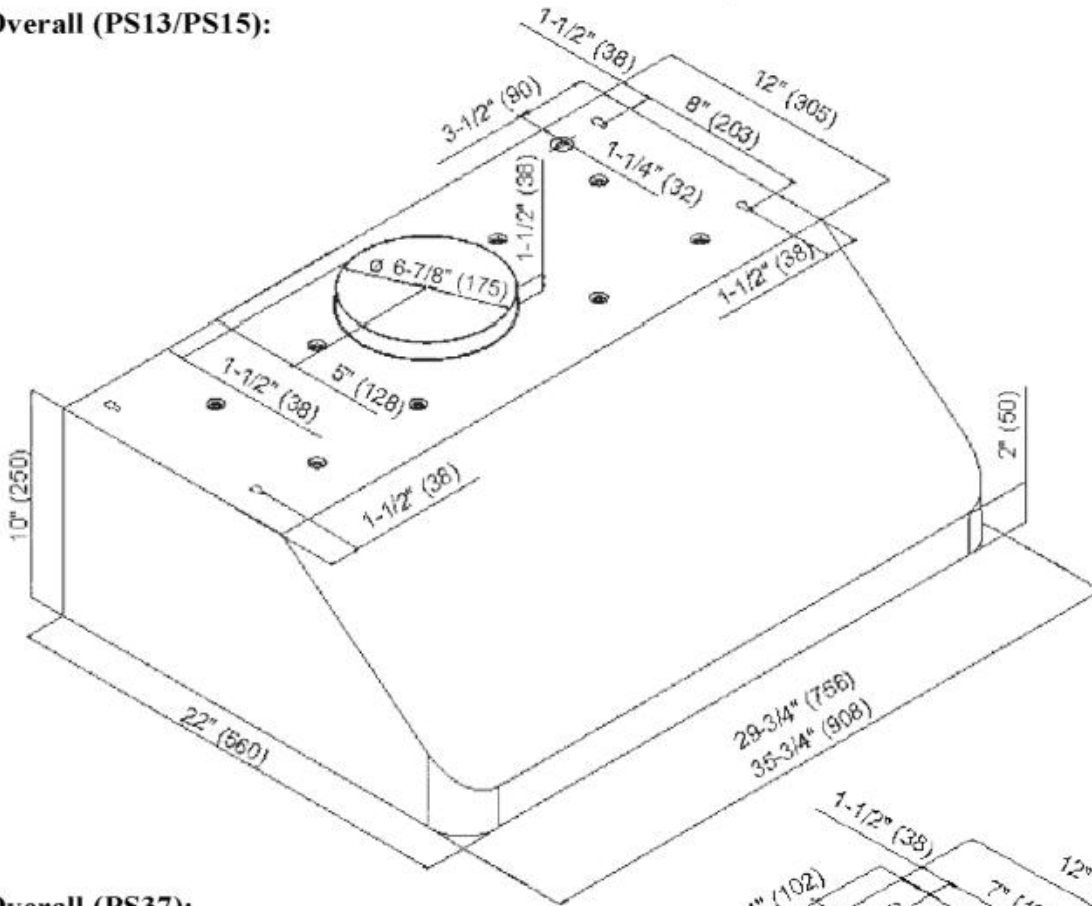


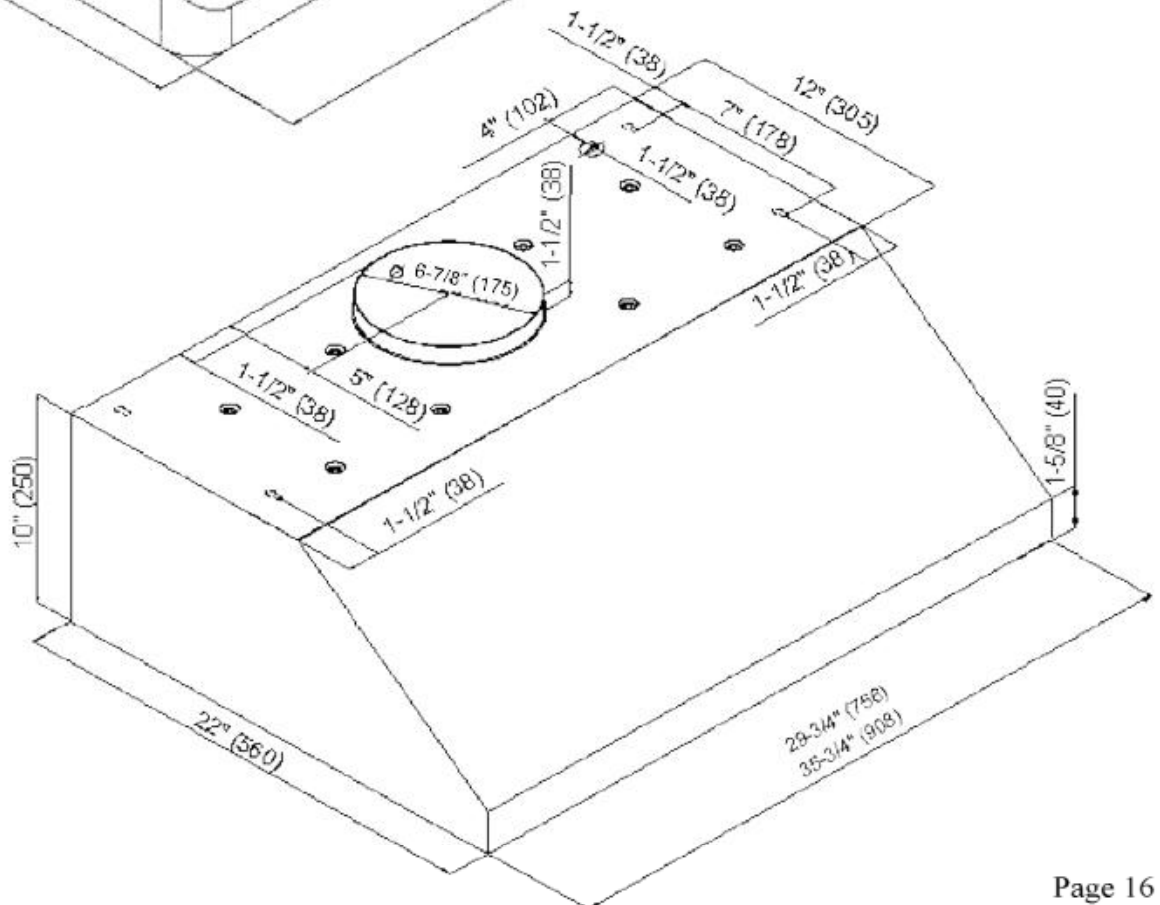
Measurements and Diagrams

- All measurements in parenthesis are in millimeter.
- All inch measurements are converted from millimeters, thus inch measurements are estimated.

Overall (PS13/PS15):

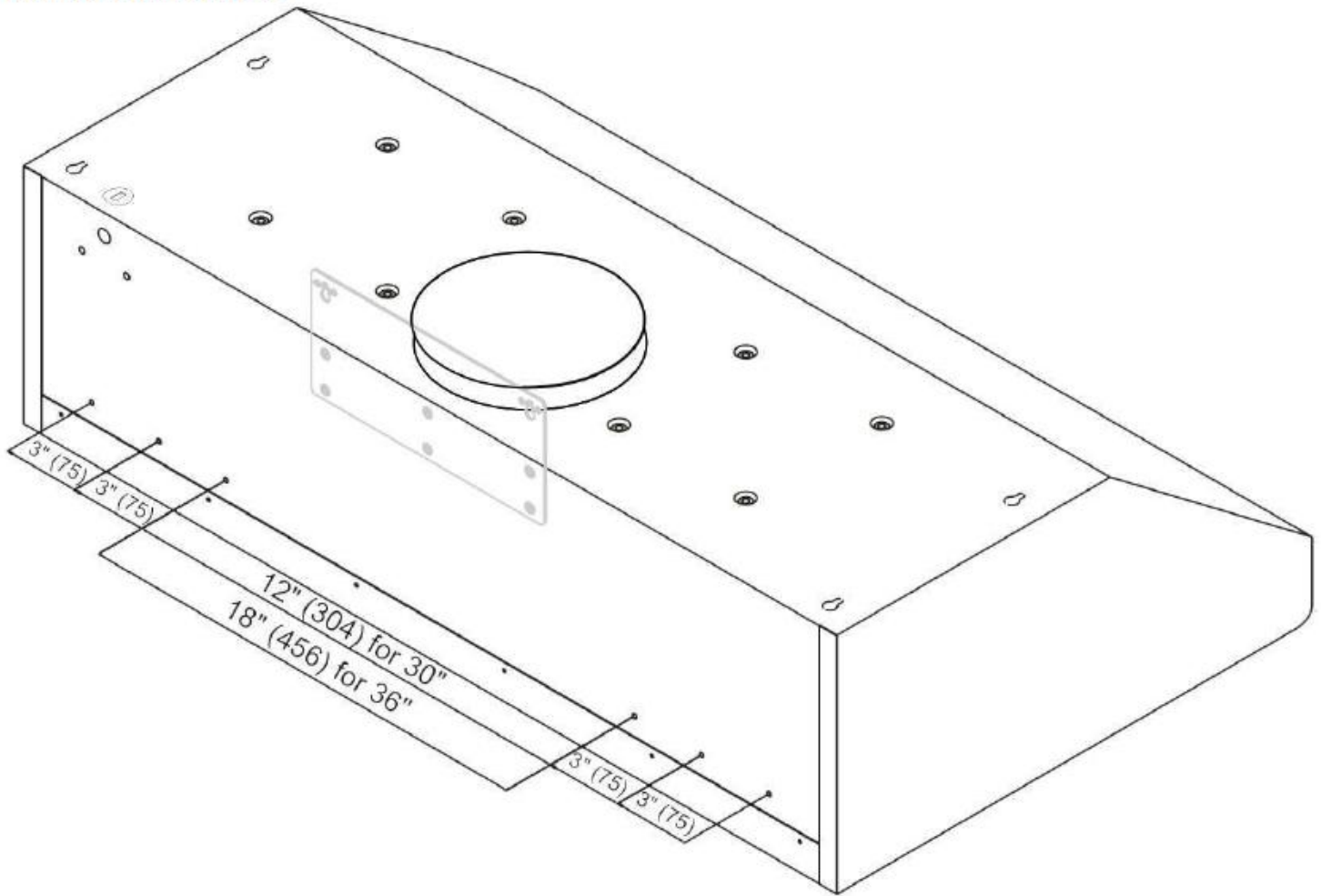


Overall (PS37):

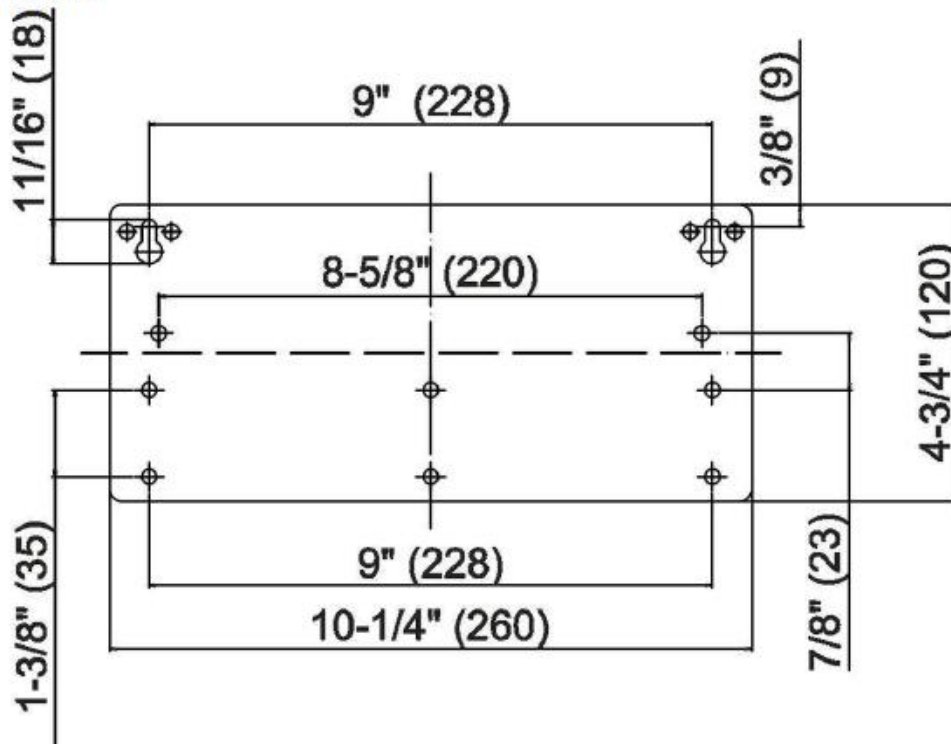


- All measurements in parenthesis are in millimeter.
- All inch measurements are converted from millimeters, thus inch measurements are estimated.

Rear Knockout Holes:

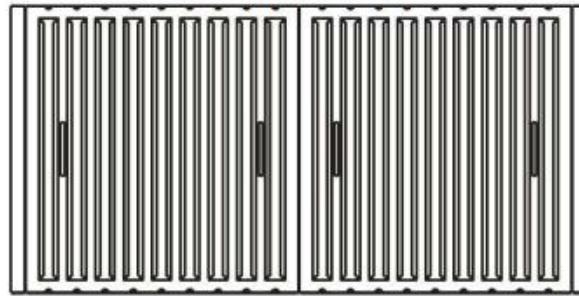


Hood-mounting Bracket:

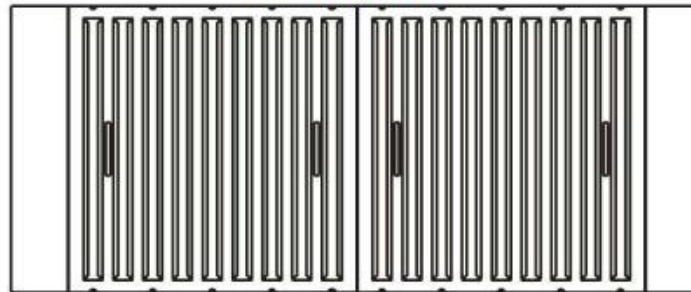


Baffle Filters and Stainless Steel Spacers:

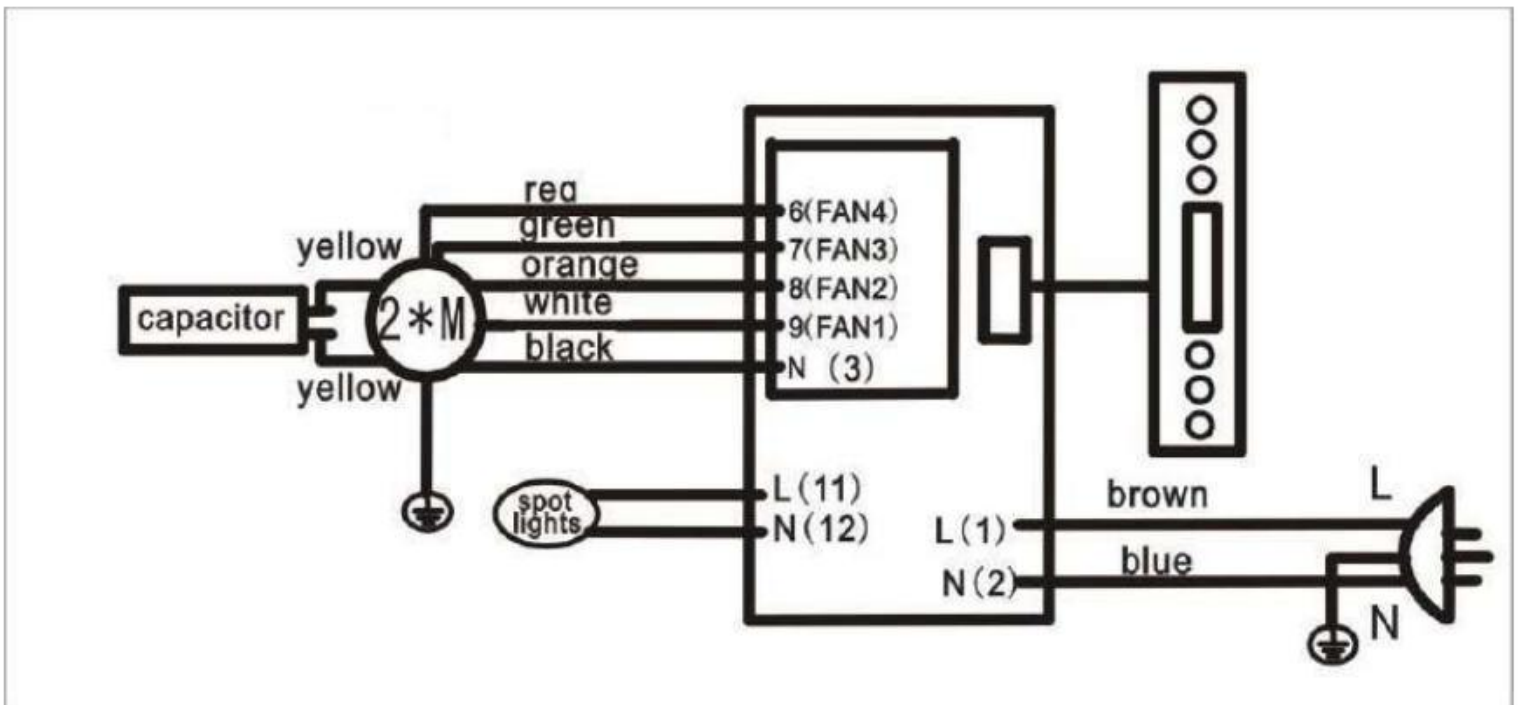
30" Range Hood



36" Range Hood

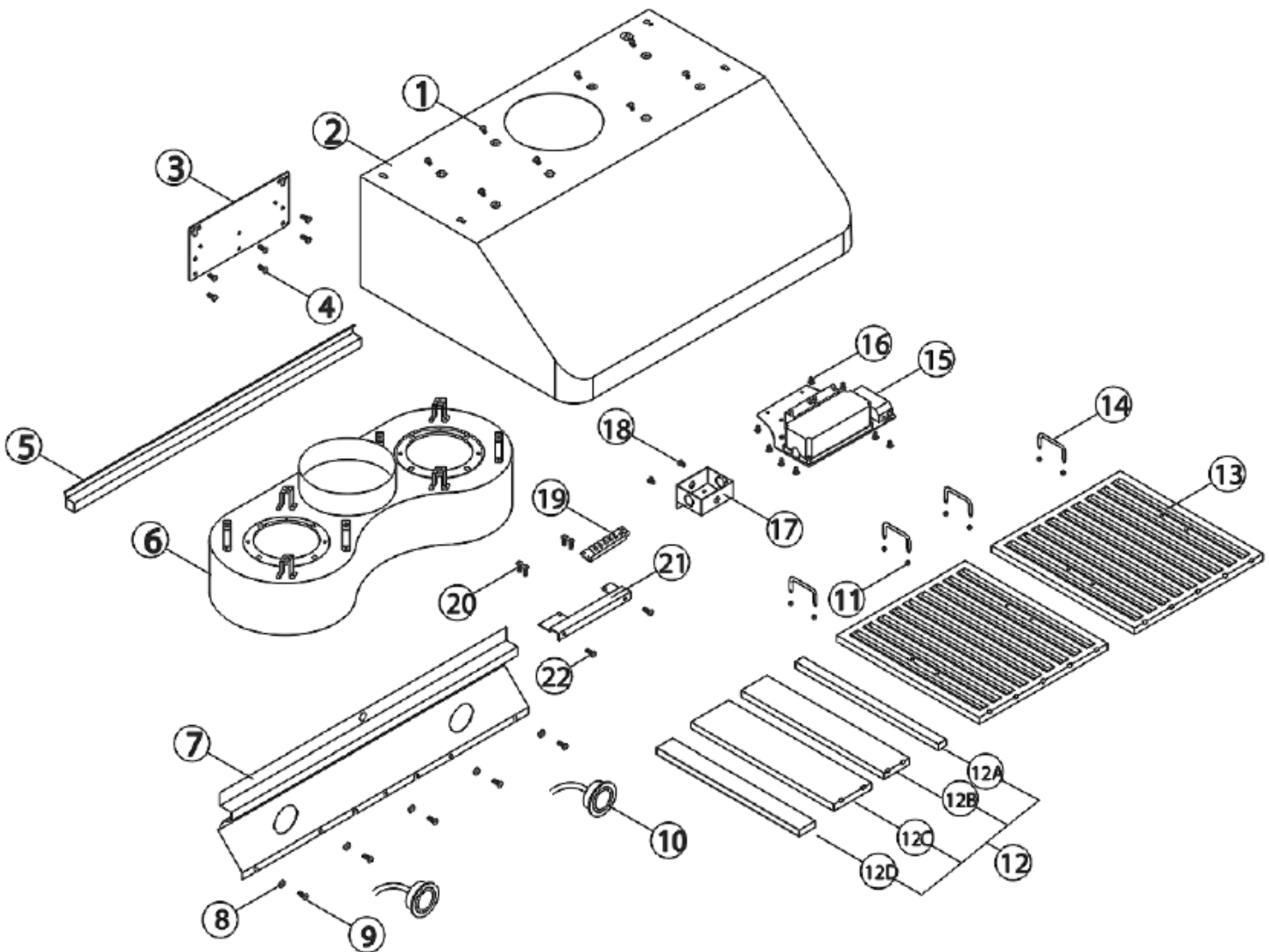


Circuit Diagram:



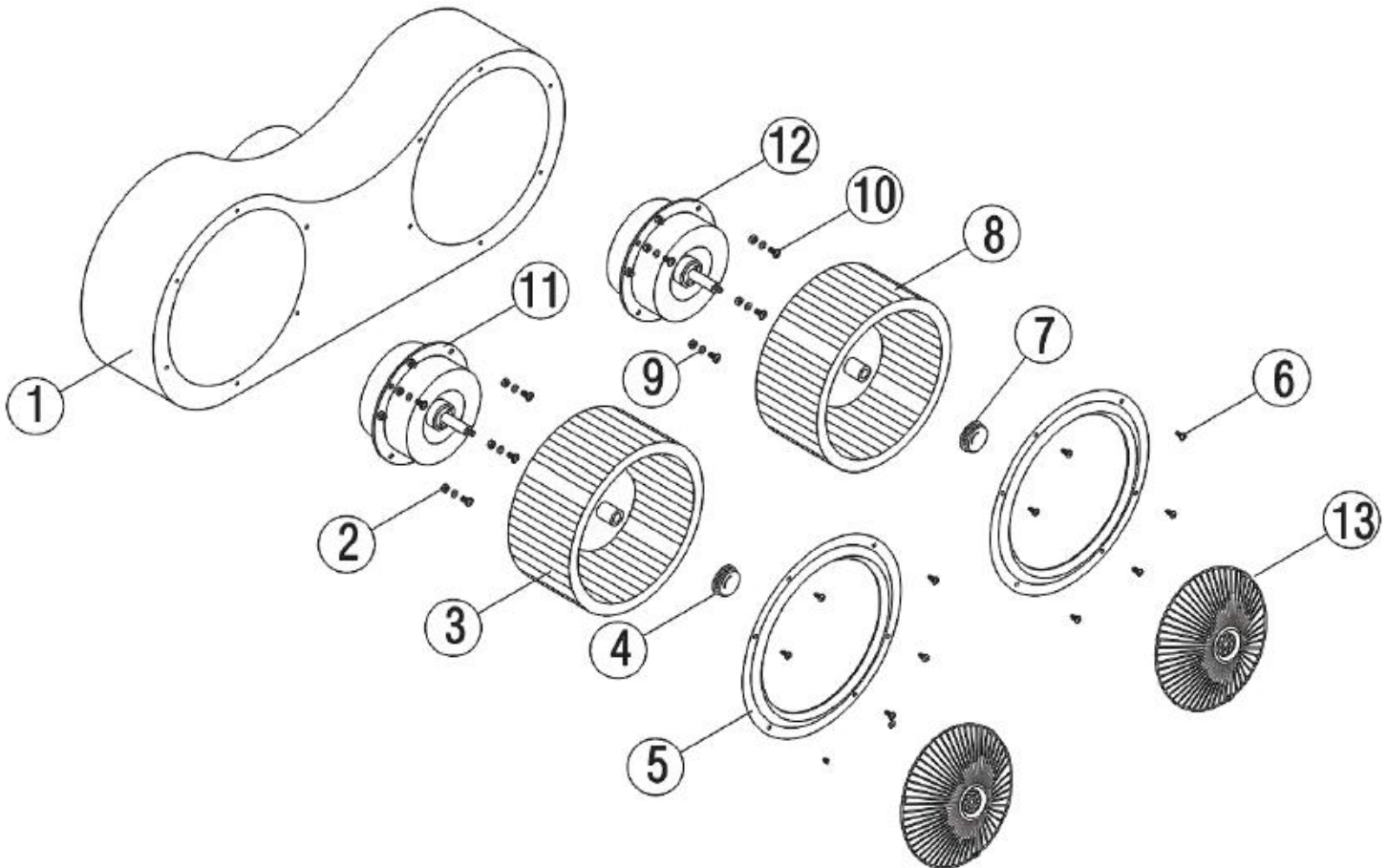
Range Hood Assembly:

| No. | Description | No. | Description |
|-----|-----------------------------------|-----|--------------------------------------|
| 1 | Screws (3/16" x 3/8") | 12 | Stainless Steel Spacer (Size Varies) |
| 2 | Hood Casing | 13 | Baffle Filter |
| 3 | Hood Mounting Bracket (Optional) | 14 | Baffle Handle |
| 4 | Screws (3/16" x 3/8") (Optional) | 15 | Electrical Assembly |
| 5 | Stainless Steel Grease/Oil Tunnel | 16 | Screws (3/16" x 3/8") |
| 6 | Blower Assembly | 17 | Wiring Box |
| 7 | Halogen Light Panel | 18 | Screws (3/16" x 3/8") |
| 8 | Gasket | 19 | Switch Assembly |
| 9 | Screws (3/16" x 3/8") | 20 | Screws (3/16" x 3/8") |
| 10 | Halogen Light | 21 | Board |
| 11 | Gasket | 22 | Screws (3/16" x 3/8") |



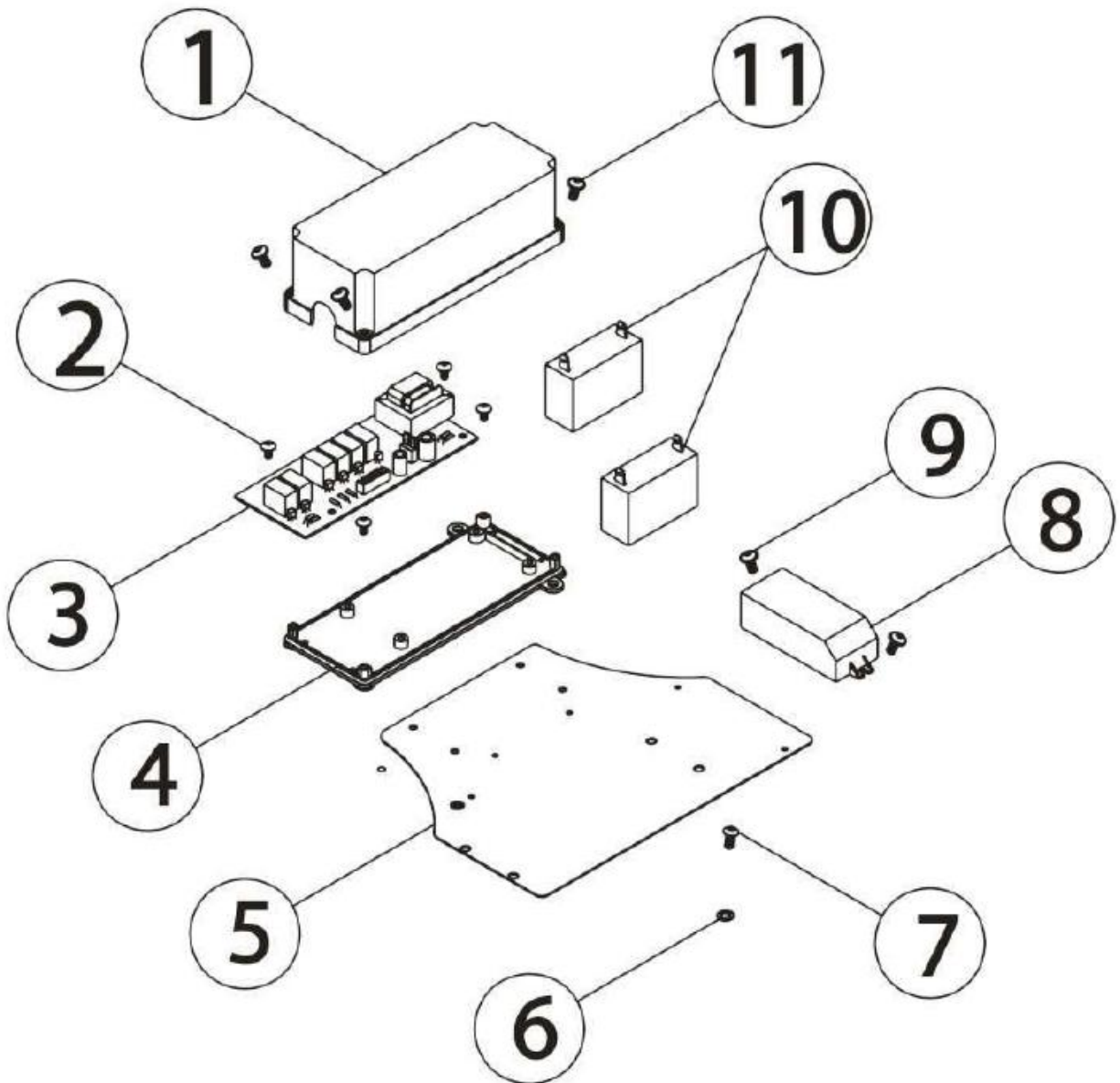
Blower Assembly:

| No. | Description | No. | Description |
|-----|-----------------------|-----|-----------------------|
| 1 | Air Chamber | 8 | Right Squirrel Cage |
| 2 | Screw Cap | 9 | Gasket |
| 3 | Left Squirrel Cage | 10 | Screws (3/16" x 3/8") |
| 4 | Left Locknut | 11 | Left Motor |
| 5 | Air Flow Grill | 12 | Right Motor |
| 6 | Screws (3/16" x 3/8") | 13 | Safety Screen |
| 7 | Right Locknut | | |



Electrical Assembly:

| No. | Description | No. | Description |
|-----|-----------------------|-----|-----------------------|
| 1 | Electrical Box | 7 | Screws (3/16" x 3/8") |
| 2 | Screws (3/16" x 3/8") | 8 | Transformer |
| 3 | Processor Board | 9 | Screws (3/16" x 3/8") |
| 4 | Electrical Box Cover | 10 | Capacitor |
| 5 | Setup Board | 11 | Screws (3/16" x 3/8") |
| 6 | Gasket | | |



Maintenance

SAFETY WARNING: Never put your hand into area housing the fan while the fan is operating!

For optimal operation, clean range hood and all baffle/spacer/filter/grease tunnel/oil container regularly. Regular care will help preserve the appearance of the range hood.

Cleaning Exterior surfaces:

- Clean periodically with hot soapy water and clean cotton cloth. Do not use corrosive or abrasive detergent (e.g. Comet Power Scrub[®], EZ-Off[®] oven cleaner), or steel wool/scoring pads, which will scratch and damage the stainless steel surface. For heavier soil use liquid degrease such as “Formula 409[®]” or “Fantastic[®]” brand cleaner.
- If hood looks splotchy (stainless steel hood), use a stainless steel cleaner to clean the surface of the hood. Avoid getting cleaning solution onto or into the control panel. Follow directions of the stainless steel cleaner. **CAUTION: Do not leave on too long as this may cause damage to hood finish.** Use soft towel to wipe off the cleaning solution, gently rub off any stubborn spots. Use dry soft towel to dry the hood.
- After cleaning, you may use non abrasive stainless steel polish such as 3M[®] or ZEP[®], to polish and buff out the stainless luster and grain. Always scrub lightly, with clean cotton cloth, and with the grain.
- DO NOT allow deposits to accumulate or remain on the hood.
- DO NOT use ordinary steel wool or steel brushes. Small bits of steel may adhere to the surface and cause rusting.
- DO NOT allow salt solutions, disinfectants, bleaches, or cleaning compounds to remain in contact with stainless steel for extended periods. Many of these compounds contain chemicals, which may be harmful. Rinse with water after exposure and wipe dry with a clean cloth.

Cleaning Aluminum Grease Filter / Stainless Steel Filterless Grill:

IMPORTANT: Drain oil from oil containers before oil and residue overflow!

- The metal filters fitted by the factory are intended to filter out residue and grease from cooking. It need not be replaced on a regular basis but are required to be kept clean.
- Filters should be cleaned after every 30 hours of use.
- Remove and clean by hand or dishwasher. Spray “Formula 409[®]” or equivalent degreasing detergent and leave to soak if heavily soiled. Dry filters and re-install before using hood.

Replacing Filters:

- Should filters wear out due to age and prolonged use, please contact your local reseller for replacement filters.
- Note: Also replace damaged filter that has punctured or broken mesh, bent or broken frame.

Replacing the light bulb:

- This range hood uses halogen bulb (please refer to the actual specification of the hood purchased):

USA/Canada:

35W Type MR16 12V / Type GU10 120V

Europe and other Countries:

35W Type MR16 12V / Type GU10 220V

- Make sure the range hood is unplugged or turn OFF breaker.
- Make sure the lights are cool to touch, carefully align the arrow on the inner ring with the arrow on the outer ring where it says OPEN. The inner ring will loosen and the light bulb will be available for removal. Install a new halogen light bulb and reverse the steps.
- Turn ON breaker and range hood to test for operation.

Align arrows on both rings



WARNING

Hazard of Burns!

Light bulb become extremely hot when turned on.
DO NOT touch bulb until switched off and cooled.
Touching hot bulbs could cause serious burns.