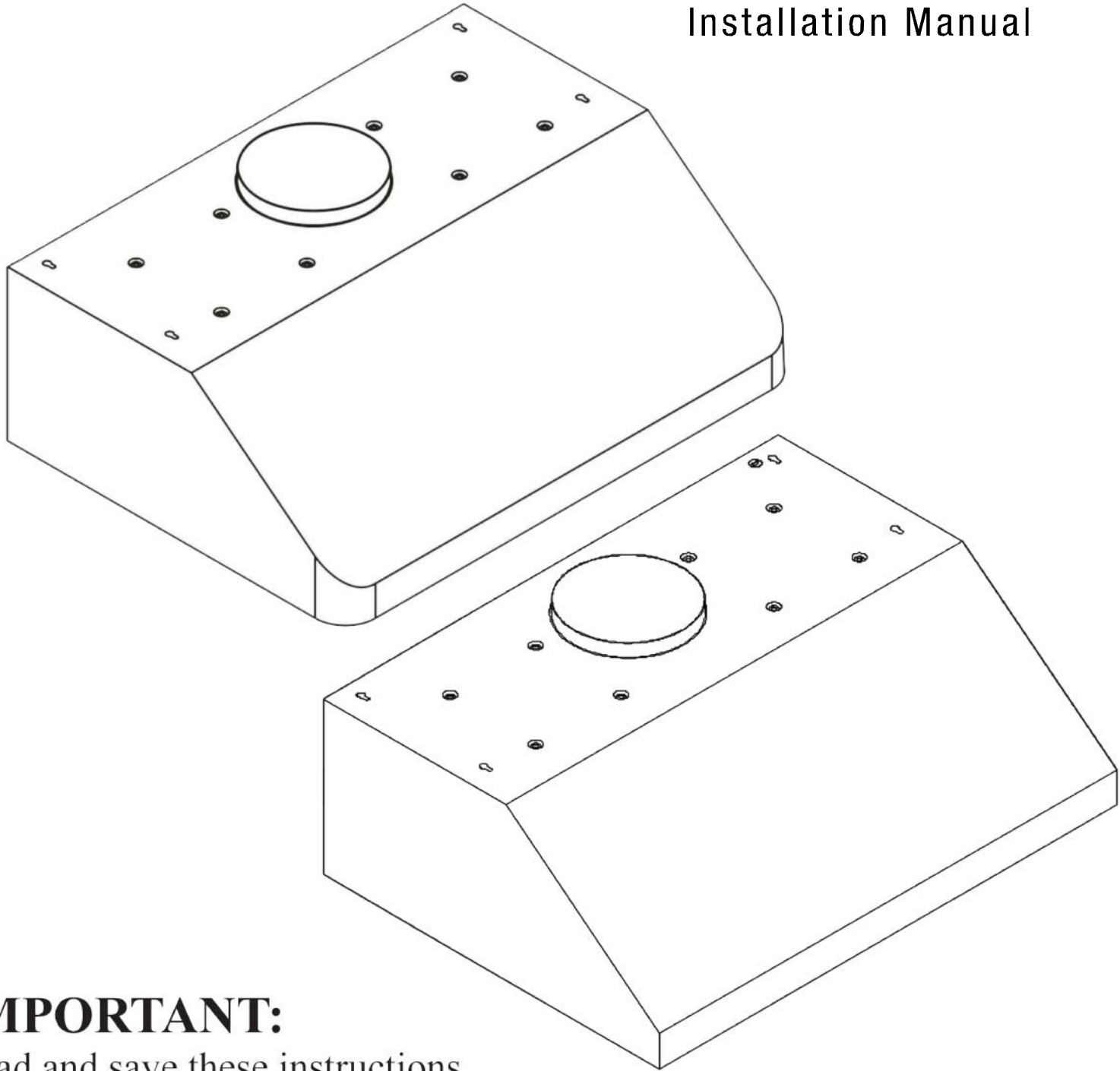




## *AirPRO 238 Professional Series (PS13/PS15/PS37)*

### Installation Manual



### **IMPORTANT:**

Read and save these instructions.

### **NOTICE:**

**Installer:** Leave this guide with the homeowner

**Homeowner:** Keep this guide for future reference

# Under Cabinet Range Hood

# Important Safety Notice

## Read all Instructions before Installing and operating this appliance

- The installation in this manual is intended for qualified installers, service technicians or persons with similar qualified background. Installation and electrical wiring must be done by qualified professionals and in accordance with all applicable codes and standards, including fire-rated construction.
- **DO NOT** attempt to install this appliance yourself. Injury could result from installing the unit due to lack of appropriate electrical and technical background.
- Range hood may have very sharp edges; please wear protective gloves if it is necessary to remove any parts for installing, cleaning or servicing.
- Activating any switch ON before completing installation may cause ignition or an explosion.
- Due to the size and weight of this range hood, two people installation is recommended.

### **To reduce the risk of fire, electric shock, or injury to persons:**

- For general ventilating use only. **DO NOT** use to exhaust hazardous or explosive materials and vapors.
- The combustion air flow needed for safe operation of fuel-burning equipment may be affected by this unit's operation. Follow the heating equipment manufacturer's guideline and safety standards such as those published by the National Fire Protection Association (NFPA), and the American Society of Heating, Refrigeration and Air Conditioning Engineers (ASHRAE), and the local code authorities.
- Before servicing or cleaning unit, switch power OFF at service panel and lock service panel to prevent power from being switched ON accidentally.
- Clean grease laden surfaces frequently. To reduce the risk of fire and to disperse air properly, make sure to vent air outside. **DO NOT** vent exhaust into spaces between walls, crawl spaces, ceiling, attics or garages.
- Ducted fans **MUST** always be vented to the outdoors.
- Use only metal ductwork and this unit **MUST** be grounded.
- Sufficient air is needed for proper combustion and exhausting of gases through the duct to prevent back drafting.
- When cutting or drilling into wall or ceiling, be careful not to damage electrical wiring or other hidden utilities.
- All electrical wiring must be properly installed, insulated and grounded.
- Old duct work should be cleaned or replaced if necessary to avoid the possibility of a grease fire.
- Check all joints on duct work to insure proper connection and all joints should be properly taped.
- Use this unit only in the manner intended by the manufacturer. If you have questions, contact the vendor.

### **To reduce the risk of a stove top grease fire:**

- Keep all fan, baffle, spaces, filter, grease tunnel, oil container and grease-laden surfaces clean. Grease should not be allowed to accumulate on fan, baffle, spaces, filter, grease tunnel and oil container.
- Always turn range hood ON when cooking at high heat or when cooking flaming foods.
- Use high settings on cooking range only when necessary.
- Never leave surface units unattended at high settings. Boil overs cause smoking and greasy spillovers that may ignite. Heat oils slowly on low or medium settings.

# Important Safety Notice

Read all Instructions before Installing and operating this appliance

- Clean ventilating fan frequently.
- Always use appropriate cookware and utensils size.
- Always use cookware appropriate for the size of the surface element.

## **To reduce the risk of injury to persons in the event of a stove top grease fire:**

- SMOTHER FLAMES with a close-fitting lid, cookie sheet, or metal tray, then turn OFF the burner. BE CAREFUL TO PREVENT BURNS. NEVER PICK UP A FLAMING PAN—you may be burned. KEEP FLAMMABLE OR COMBUSTIBLE MATERIAL AWAY FROM FLAMES. If the flames DO NOT go out immediately, EVACUATE AND CALL THE FIRE DEPARTMENT or dial your local emergency service immediately.
- DO NOT USE WATER, including wet dishcloths or towels — a violent steam explosion will result.
- Use an extinguisher ONLY if:
  - You know you have a Class A, B, C extinguisher, and you already know how to operate it.
  - The fire is small and contained in the area where it is started.
  - The fire department is being called.
  - You can fight the fire with your back to an exit.

## **To reduce the risk of injury to persons in the event of a gas leaks:**

- Extinguish any open flame.
- DO NOT turn on the range hood fan or any type of ventilator.
- DO NOT turn on the lights or any type of appliance.
- Open all doors and windows to disperse the gas. If you still smell gas, call the gas company and fire department, or dial your local emergency service immediately.

Your safety and the safety of others is very important. We have provided many important safety messages in this manual and on your appliance. Always read and obey all safety messages. All safety messages will tell you what the potential hazard is, tell you how to reduce the chance of injury, and tell you what can happen if the instructions are not followed.



This is the safety alert symbol. This symbol alerts you to potential hazards that can hurt you and others. All safety messages will follow the safety alert symbol and the word “WARNING”.

*The manufacturer and/or distributor/reseller declines all responsibility in the event of failure to observe the instructions given here for installation, maintenance and suitable use of the product. The manufacturer and/or distributor/reseller further declines all responsibility for injury due to negligence and the warranty of the unit automatically expires due to improper maintenance. The manufacturer and/or distributor/reseller will not be held responsible for any damages to personal property or real estate or any bodily injuries whether caused directly or indirectly by the range hood.*

# Table of Contents

<b>INSTALLATION</b>		<b>USE AND CARE</b>	
Tools needed.....	3	Troubleshooting.....	14
Parts supplied.....	4	Use and care information.....	15
Venting requirements.....	5	Specifications.....	15
Mount heights & clearance.....	5-6	Measurements & Diagrams.....	16-21
Calculating vent system length.....	6	<b>MAINTENANCE</b>	
Venting methods.....	7	Cleaning.....	22
Electrical requirements.....	8	Replacing the filter & light bulb.....	22
Preparation.....	9	<b>WARRANTY</b>	
Installation.....	10-11	Coverage & exceptions.....	23
Range hood operations.....	12-13	Disclaimer & Contact Us.....	24

## Tools needed:

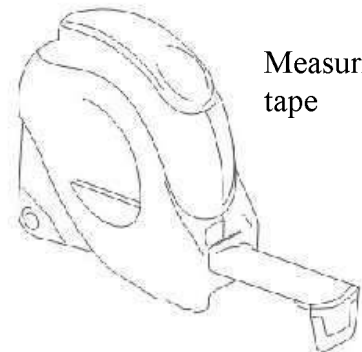
Marker or pencil



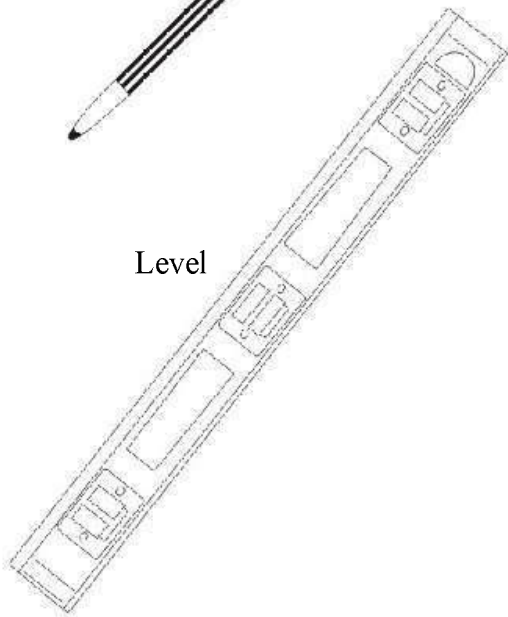
Utility knife



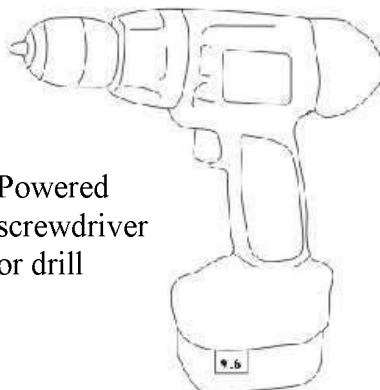
Measuring tape



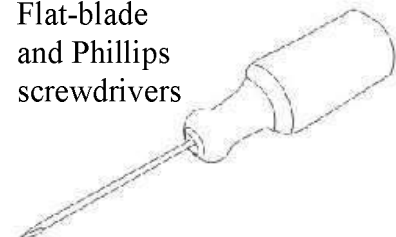
Level



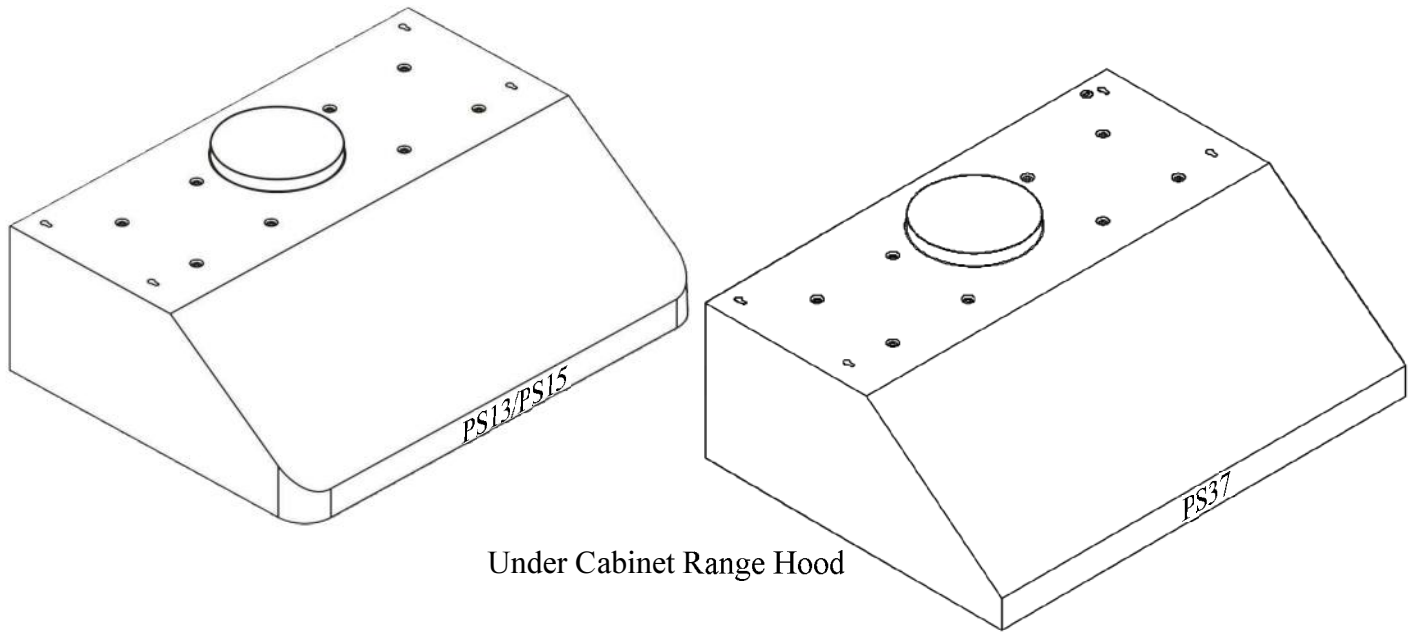
Powered screwdriver or drill



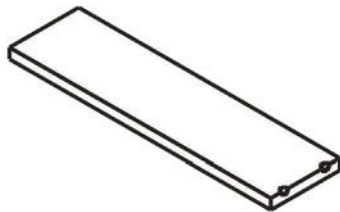
Flat-blade and Phillips screwdrivers



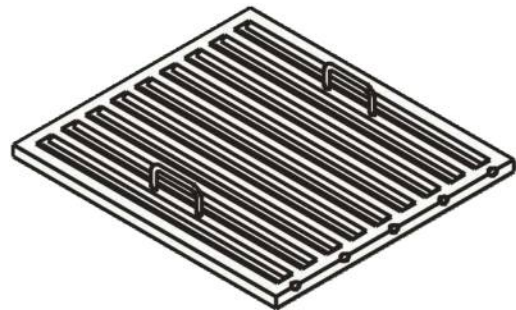
**Parts supplied:**



Under Cabinet Range Hood



Baffle Filter Spacer



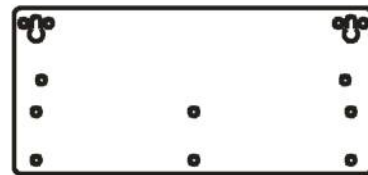
Baffle Filters



Qty: 4 PCS  
(For sheet rock only)



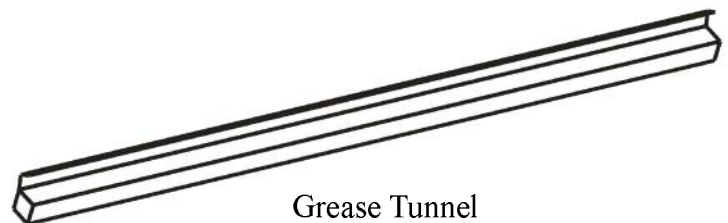
Qty: 4 PCS



Hood-mounting Bracket  
(vary with model)



Qty: 6 PCS



Grease Tunnel

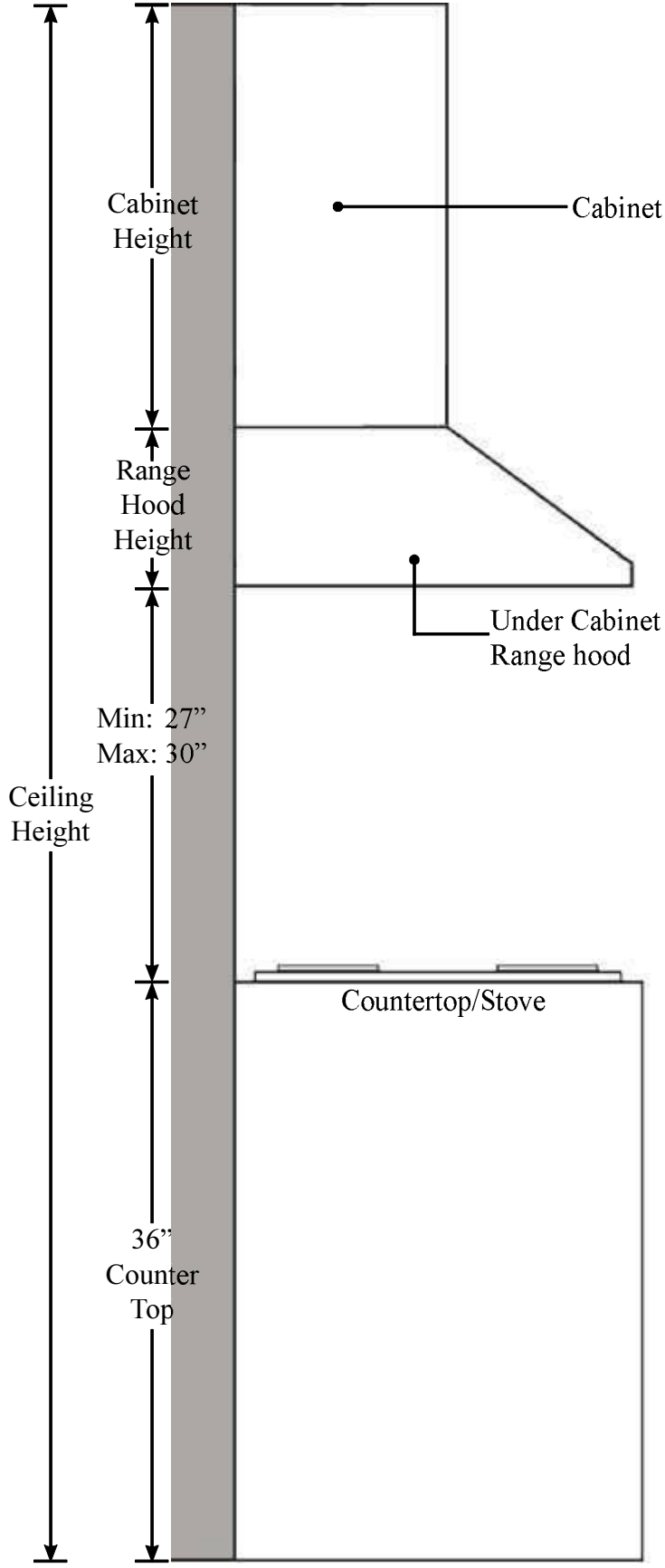
## Venting Requirements

- Vent system must terminate to the outside (roof or side wall).
- DO NOT terminate the vent system in an attic or other enclosed area.
- DO NOT use 4" (10.2 cm) laundry-type wall caps.
- Use metal/aluminum vent only. Rigid metal/aluminum vent is recommended.
- DO NOT use plastic vent.
- Always keep the duct clean to ensure proper airflow.
- Calculate the following figures before installation:
  1. Distance from the floor to the ceiling.
  2. Distance between the floor to the countertop/stove (recommend\* 27" to 30").
  3. Distance between the countertop/stove to the range hood.
  4. Height of hood and duct cover.

- For the most efficient & quiet operation:**
- A distance of 27" to 30" is recommended\* between stove top and the bottom of range hood.
  - It is recommended that the range hood be vented vertically through the roof through 8" (20.3 cm) or bigger round metal/aluminum vent work.
  - The size of the vent should be uniform.
  - Use no more than three 90° elbows.
  - Make sure there is a minimum of 24" (61 cm) of straight vent between the elbows if more than one elbow is used.
  - DO NOT install two elbows together.
  - The length of vent system and number of elbows should be kept to a minimum to provide efficient performance.
  - The vent system must have a damper. If roof or wall cap has a damper, DO NOT use damper (if supplied) on top of the range hood.
  - Use silver tape or duct tape to seal all joints in the vent system.
  - Use caulking to seal exterior wall or roof opening around the cap.

\* Due to different ceiling height configurations, recommended height may not be applicable.

## Height & Clearance



**IMPORTANT:**

- A minimum of 8” round (standard for this range hood) or 3-1/4 x 10” rectangular duct (purchased separately) must be used to maintain maximum airflow efficiency.
  - Always use rigid type metal/aluminum ducts if available to maximize airflow when connecting to provided duct.
  - Please use *Duct Run Calculation* below to compute total available duct run when using elbows, transitions and caps.
  - ALWAYS, when possible, reduce the number of transitions and turns. If long duct run is required, increase duct size from 8” to 10”. If a reducer is used, install a long reducer instead of a pancake reducer. Reducing duct size will restrict airflow and decrease airflow, thus reduce duct size as far away from opening as possible.
  - If turns or transitions are required: Install as far away from opening and as far apart, between 2, as possible.
  - Minimum mount height between stove top to hood bottom should be no less than 27-inch\*.
  - Maximum mount height between stove top to hood bottom should be no higher than 30-inch\*.
  - It is important to install the hood at the proper mounting height. Hoods mounted too low could result in heat damage and fire hazard; while hoods mounted too high will be hard to reach and will lose its performance and efficiency.
  - If available, also refer to stove top manufacturer’s height clearance requirements and recommended hood mounting height above range.
- \* Due to different ceiling height configurations, recommended height may not be applicable.

**Minimum Duct Size:**

- Round - 8” minimum
- Rectangular - 3-1/4 x 10” minimum (requires a 8” to 3-1/4x10” adaptor, not supplied)

**Calculating Vent System Length**

To calculate the length of the system you need, deduct the equivalent feet for each vent piece used in the system from the recommended maximum duct run.

<b>Duct Run Calculation:</b>	
Recommended maximum run	
8” or 3-1/4 x 10” duct	50 ft
Vent piece deduction	
Each 90° elbow used	9 ft
Each 45° elbow used	5 ft
Each 7” to 3/14 x 10” transition used	7 ft
Side wall cap with damper	0 ft
Roof cap	0 ft

***Duct Run Calculation example:***

*One roof cap, two 90° elbow, and one 45° elbow used:*

*0ft + 9ft + 9ft + 5ft = 23ft used.*

*Deduct 23ft from 50ft, 27ft maximum available for straight duct run.*

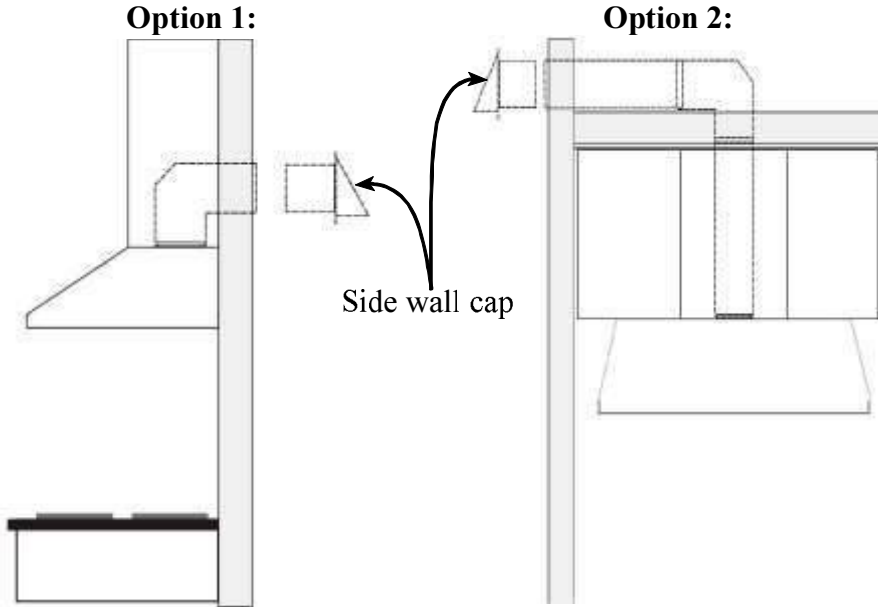
# Venting Methods

- This range hood is factory set for venting through the roof or wall.
- Vent work can terminate either through the roof or wall. To vent through a wall, a 90° elbow is needed.

**IMPORTANT:**

- NEVER exhaust air or terminate duct work into spaces between walls, crawl spaces, ceiling, attics or garages. All exhaust must be ducted to the outside.
- Use metal/aluminum duct work only.
- Fasten all connections with sheet metal screws and tape all joints with certified Silver Tape or Duct Tape.
- Use caulking to seal exterior wall or roof opening around the cap.

**Horizontal wall venting**



**Vertical roof venting**

