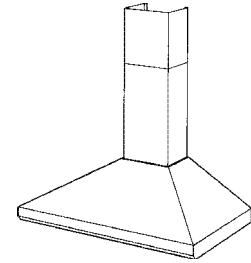




SPECIFICATION SHEET

**RANGEMASTER®
61000SERIES
RANGEHOOD**



An enduring stainless steel design that combines the flawless look of Italian style with a lasting impression.

FEATURES

- Italian design
- Wall mount
- Finishes: 304 Stainless Steel #4 Brushed
- Widths: 35-7/16" (90cm), 48"
- Ducted/non-ducted telescopic flue accommodates 8' to 9' ceilings
- Convertible to ducted or non-ducted operation (excludes 48" model)
- 6" round duct connector/backdraft damper (30" and 35-7/16" (90cm) widths) or 8" round duct connector/backdraft damper (48" width only)
- Halogen lighting (2 x 20 watt, Type T4)
- Concealed three-speed slide control
- 450 CFM centrifugal blower (30" and 35-7/16" (90cm) widths) or 900 CFM of exhaust achieved with two centrifugal blowers (48" width only)
- Dishwasher-safe filters feature a quick-release catch and polished stainless steel

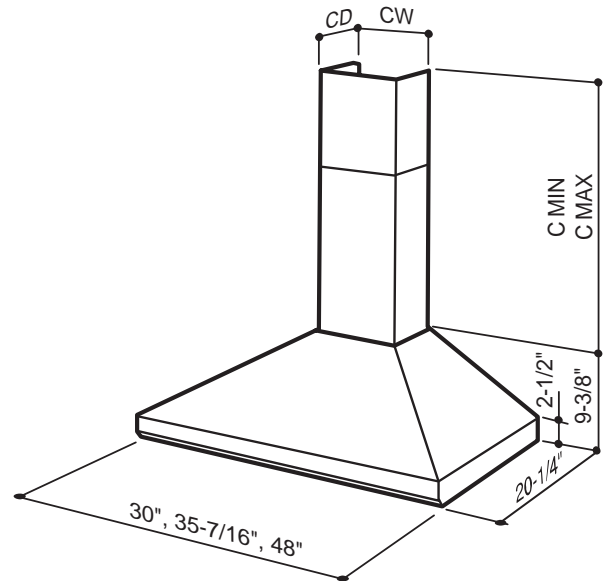
OPTIONS

- Replacement grease filters available (Part No. S B08087485)
- Non-ducted filter kit (contains two 6" round filters) (Model ROUNDFILTER)
- Flue extension for 10' ceiling (Part No. SB08840492)
- Exterior blower version for 35-7/16" and 48" widths (61000EX) available, providing 600, 900, 1200, or 1500 CFM exhaust



SPECIFICATIONS

WIDTH	VOLTS	AMPS	CFM	DUCT
30"	120	3.1	450	6" round
35-7/16" (90cm)	120	3.1	450	6" round
48"	120	5.5	900	8" round



	C MIN	C MAX	CD	CW
613004	25-5/8"	45-1/2"	6-5/8"	9-1/4"
619004	25-5/8"	45-1/2"	6-5/8"	9-1/4"
614804	22"	37"	10-3/8"	12-3/7"

Mount range hood so bottom of hood is 24" to 30" above cooking surface.

Broan-NuTone LLC 926 West State Street, Hartford, WI 53027 (1-800-637-1453)

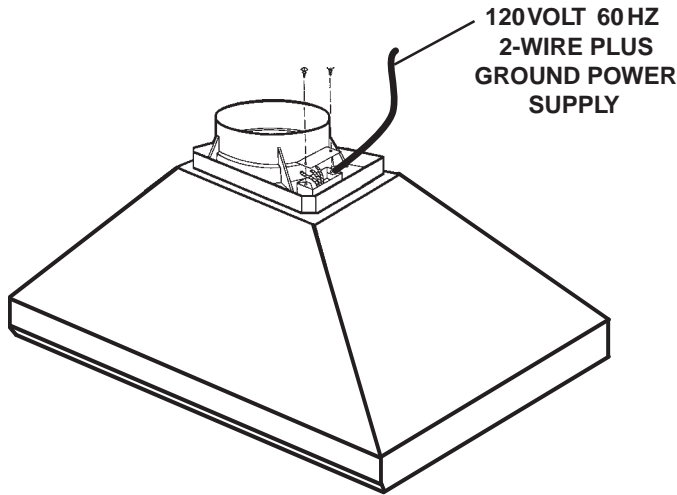
NuTone, Inc., 4820 Red Bank Road, Cincinnati, OH 45227 (1-800-543-8687)

Broan-NuTone Canada, Inc., 1140 Tristar Drive, Mississauga, Ontario, L5T 1H9 (1-888-882-7626)

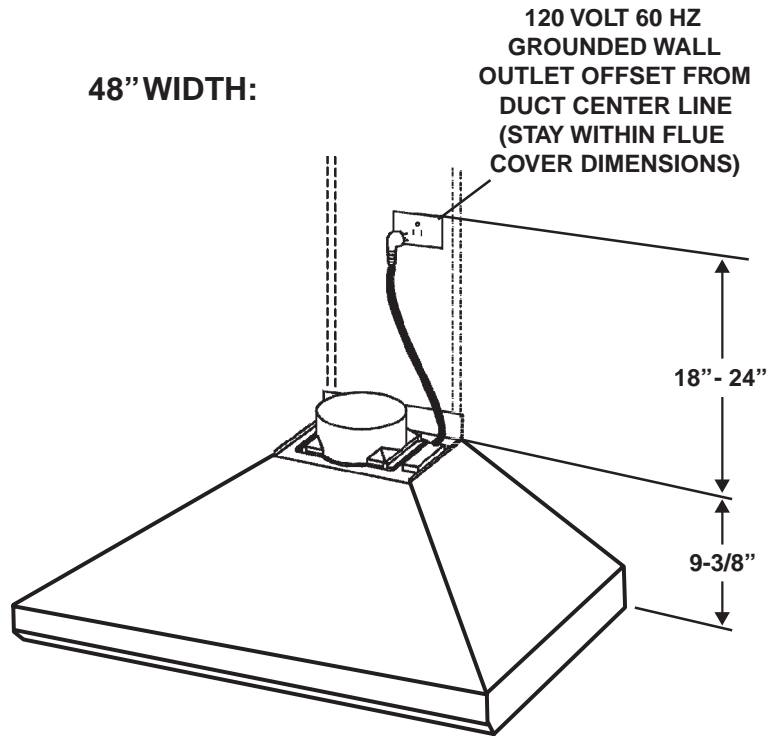
REFERENCE	QTY.	REMARKS	Project
			Location
			Architect
			Engineer
			Contractor
			Submitted by Date

61000SERIESWIRING

30" and 35-7/16" (90cm) WIDTHS:



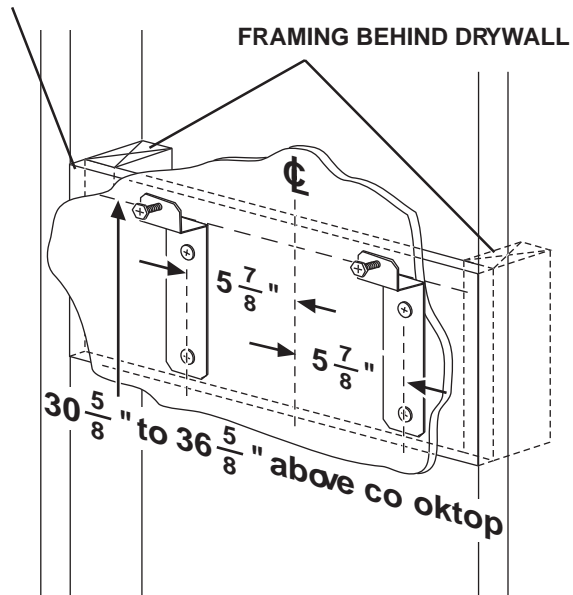
48" WIDTH:



61000SERIESMOUNTING

30" and 35-7/16" (90cm) WIDTHS:

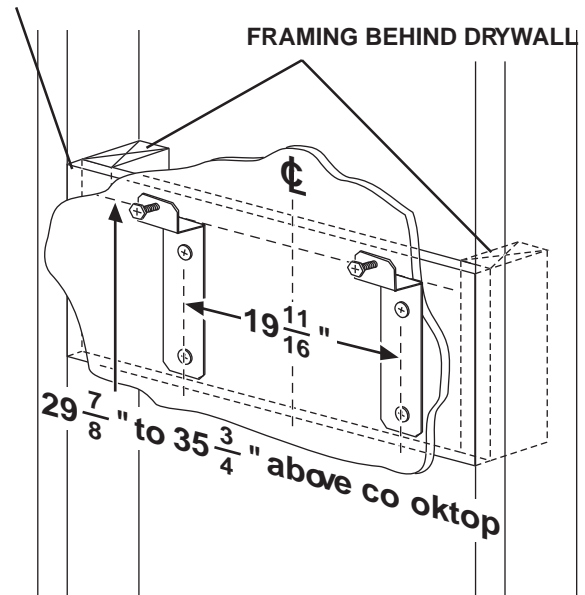
WOOD CROSS SUPPORT – SECURED TO FRAMING AND LOCATED BEHIND DRYWALL



30-5/8" = bottom of hood 24" above cooktop
36-5/8" = bottom of hood 30" above cooktop

48" WIDTH:

WOOD CROSS SUPPORT – SECURED TO FRAMING AND LOCATED BEHIND DRYWALL



29-7/8" = bottom of hood 24" above cooktop
35-3/4" = bottom of hood 30" above cooktop



Broan-NuTone LLC 926 West State Street, Hartford, WI 53027 (1-800-637-1453)
NuTone, Inc., 4820 Red Bank Road, Cincinnati, OH 45227 (1-800-543-8687)
Broan-NuTone Canada, Inc., 1140 Tristar Drive, Mississauga, Ontario, L5T 1H9 (1-888-882-7626)