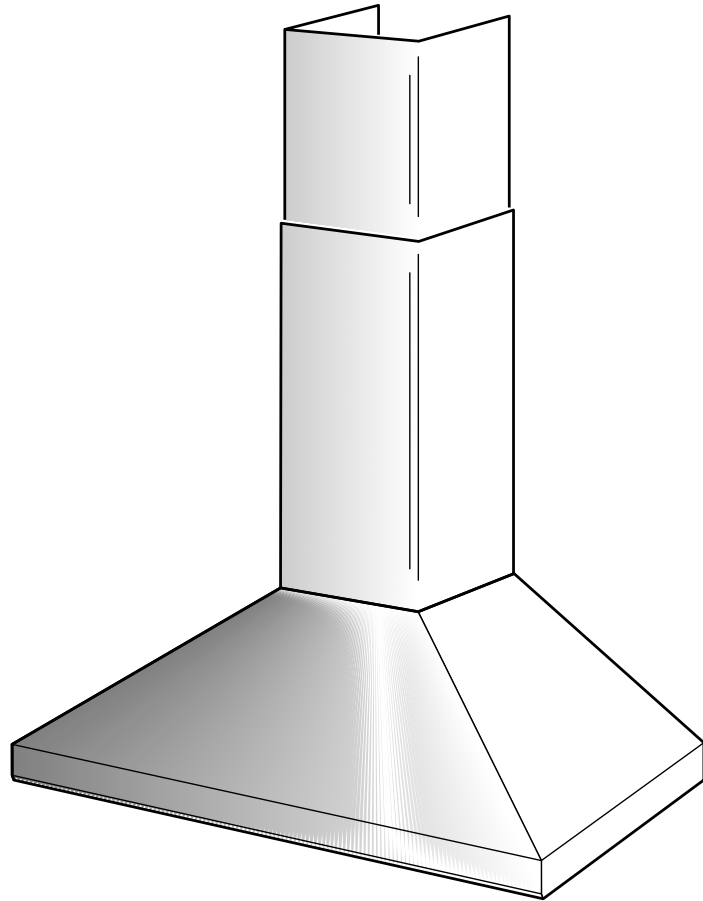




by

RANGEMASTER

61000 Series



04306120
99042527A

READ AND SAVE THESE INSTRUCTIONS

WARNING

TO REDUCE THE RISK OF FIRE, ELECTRICAL SHOCK, OR INJURY TO PERSONS, OBSERVE THE FOLLOWING:

1. Use this unit only in the manner intended by the manufacturer. If you have questions, contact the manufacturer at the address or telephone number listed in the warranty.
2. Before servicing or cleaning unit, switch power off at service panel and lock service panel to prevent power from being switched on accidentally. When the service disconnecting means cannot be locked, securely fasten a prominent warning device, such as a tag, to the service panel.
3. Installation work and electrical wiring must be done by a qualified person(s) in accordance with all applicable codes and standards, including fire-rated construction codes and standards.
4. Sufficient air is needed for proper combustion and exhausting of gases through the flue (chimney) of fuel burning equipment to prevent backdrafting. Follow the heating equipment manufacturer's guidelines and safety standards such as those published by the National Fire Protection Association (NFPA), and the American Society for Heating, Refrigeration and Air Conditioning Engineers (ASHRAE), and the local code authorities.
5. When cutting or drilling into wall or ceiling, do not damage electrical wiring and other hidden utilities.
6. Ducted fans must always be vented to the outdoors.
7. Do not use this unit with any solid-state speed control device.
8. To reduce the risk of fire, use only steel ductwork.
9. This unit must be grounded.

TO REDUCE THE RISK OF A RANGE TOP GREASE FIRE:

1. Keep fan, filters and grease laden surfaces clean.
2. Always turn hood ON when cooking at high heat.
3. Use high range settings on range only when necessary. Heat oil slowly on low to medium setting.
4. Don't leave range unattended when cooking.
5. Always use cookware and utensils appropriate for the type and amount of food being prepared.

WARNING

TO REDUCE THE RISK OF INJURY TO PERSONS IN THE EVENT OF A RANGE TOP GREASE FIRE, OBSERVE THE FOLLOWING:*

1. SMOTHER FLAMES with a close-fitting lid, cookie sheet, or metal tray, then turn off the burner. BE CAREFUL TO PREVENT BURNS. If the flames do not go out immediately, EVACUATE AND CALL THE FIRE DEPARTMENT.
2. NEVER PICK UP A FLAMING PAN - You may be burned.
3. DO NOT USE WATER, including wet dishcloths or towels - violent steam explosion will result.
4. Use an extinguisher ONLY if:
 - A. You know you have a Class ABC extinguisher and you already know how to operate it.
 - B. The fire is small and contained in the area where it started.
 - C. The fire department is being called.
 - D. You can fight the fire with your back to an exit.

* Based on "Kitchen Fire Safety Tips" published by NFPA.

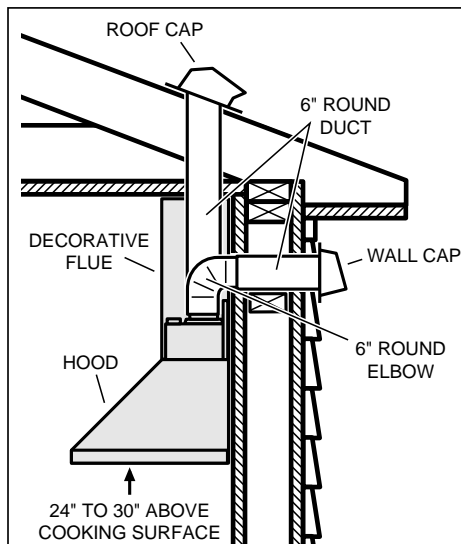
CAUTION

1. For general ventilating use only. Do not use to exhaust hazardous or explosive materials and vapors.
2. To avoid motor bearing damage and noisy and/or unbalanced impellers, keep drywall spray, construction dust, etc. off power unit.
3. Your hood motor has a thermal overload which will automatically shut off the motor if it becomes overheated. The motor will restart when it cools down. If the motor continues to shut off and restart, have the hood serviced.
4. For best capture of cooking impurities, the bottom of the hood should be a minimum of 24" and a maximum of 30" above the cooking surface.
5. Two installers are recommended because of the large size and weight of this hood.
6. Please read specification label on product for further information and requirements.

INSTALL THE DUCTWORK

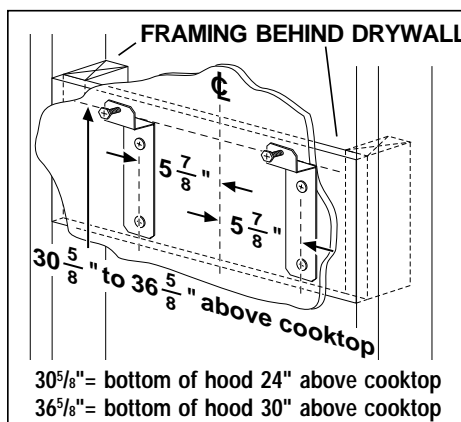
NOTE: To reduce the risk of fire, use only steel ductwork.

1. Decide where the ductwork will run between the hood and the outside.
2. A straight, short duct run will allow the hood to perform most efficiently.
3. Long duct runs, elbows, and transitions will reduce the performance of the hood. Use as few of them as possible.
4. Install a roof or wall cap. Connect 6" round steel ductwork to cap and work back towards hood location. Use duct tape to seal the joints between ductwork sections.



INSTALL MOUNTING BRACKETS

1. Construct wood wall **framing** that is flush with interior surface of wall studs. Make sure:
 - a) the framing is centered over installation location.
 - b) the height of the framing will allow the **mounting brackets** to be secured to the framing within the dimensions shown.
2. After wall surface is finished, secure mounting brackets to framing using dimensions shown.

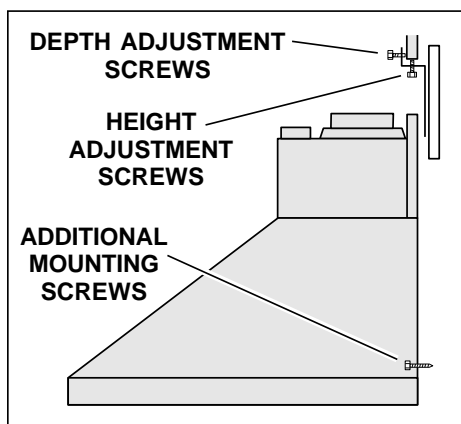
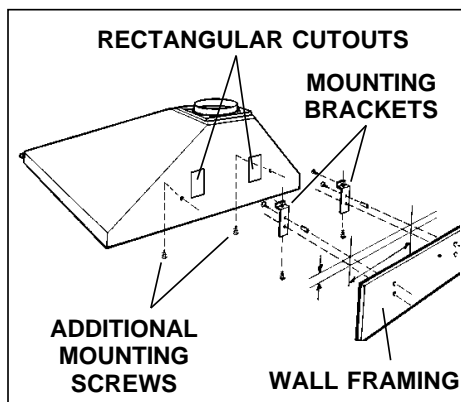


INSTALL THE HOOD

3. Hang the hood from the brackets through the **rectangular cut-outs** on the back of the hood. Cut-outs are larger than the brackets to allow for horizontal adjustment.

The bottom of the hood should be 24" to 30" above the cooking surface.

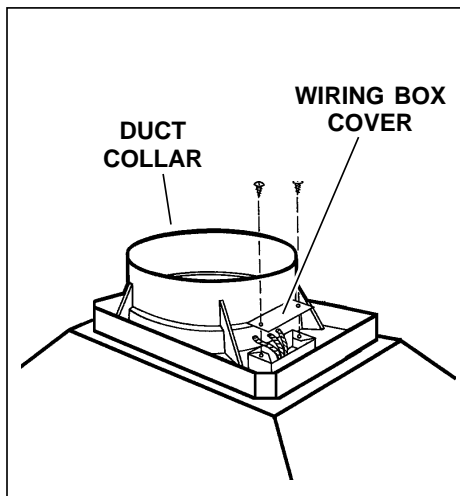
4. **Height adjustment screws** provide vertical adjustment.
5. **Depth adjustment screws** provide horizontal adjustment.
6. Secure the hood with **additional mounting screws**. Use drywall anchors, provided, if wall studs or framing are not available.



WIRING

Note: This range hood must be properly grounded. The unit should be installed by a qualified electrician in accordance with all applicable national and local electrical codes.

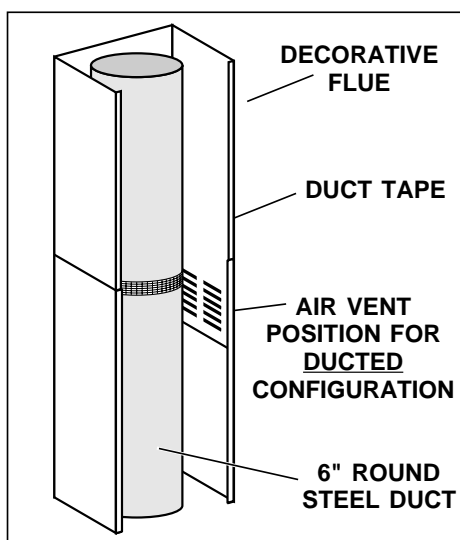
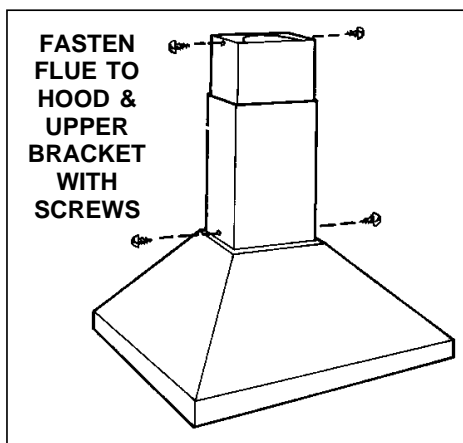
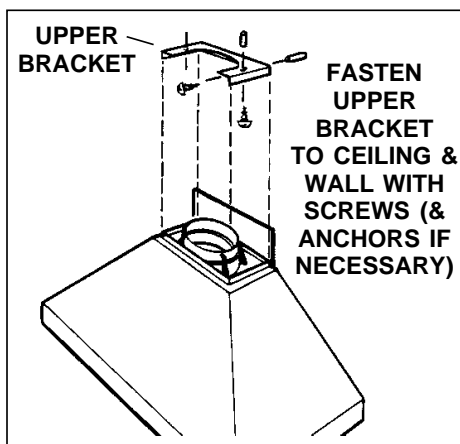
1. Remove the **wiring box cover**. Remove a knockout from the wiring box.
2. Feed 6" of power cable through the knockout opening and secure cable to the wiring box with an appropriate connector.
3. Make electrical connections. Connect white to white, black to black and green to green.
4. Replace wiring box cover and screws. Make sure that wires are not pinched between cover and box.



CONNECT DUCTWORK

Ducted Configuration

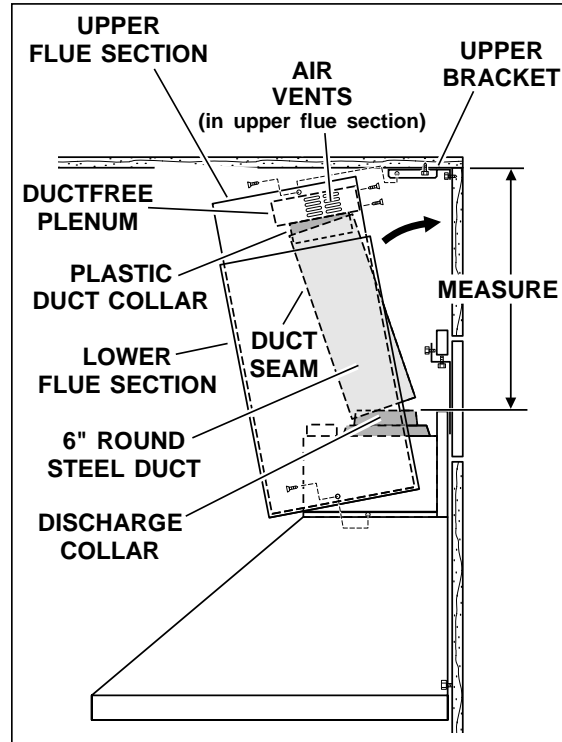
1. Use screws and wall anchors to secure **upper bracket** to the ceiling and wall as shown.
2. Use **6" round steel duct** to connect the duct collar on the hood to the ductwork above.
3. Use **duct tape** to make all joints secure and air tight.
4. Connect the upper section of decorative flue to the bracket with screws provided.
5. Slide the lower section of decorative flue downward, until it fits properly around hood.
6. Secure decorative flue to hood with screws provided.



CONNECT DUCTWORK

Ductfree Configuration

1. Use screws and wall anchors (supplied) to secure the **upper bracket** to wall and ceiling as shown.
2. Turn **upper flue section** upside down so **air vents** are at the top. Slide upper flue section into **lower flue section**.
3. Snap the **plastic duct collar** into the hole in the bottom of the **ductfree plenum**. Connect the ductfree plenum to the upper flue section with (4) flat-head screws (supplied).
4. Measure the distance from the top of the **discharge collar** to the ceiling. Cut a length of **6" round steel duct** 6" shorter than this dimension.
5. Fit duct section over the plastic duct collar. For best fit, make sure **duct seam** is toward the front.
6. Set duct/flue assembly on hood with top tilted away from wall. Reach around flue to engage bottom of duct with discharge collar on hood. Tilt flue up against wall. Upper flue section can be cut to length if necessary.
7. Raise upper flue section and screw it to upper bracket with (2) screws (supplied). Screw lower flue section to hood with screws (supplied).



DUCTFREE FILTER INSTALLATION

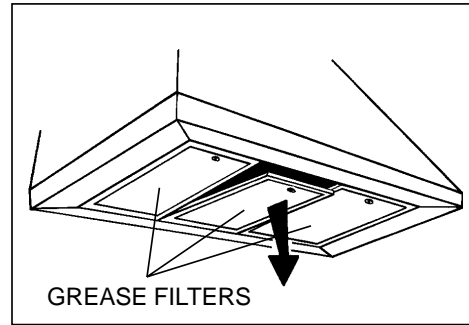
1. Purchase a ductfree filter kit (part no. ????) from your dealer.
2. Screw the plastic mounting brackets to the blower inlet.
3. Position the filters over the mounting brackets. Rotate mounting brackets to lock filters in place.

MAINTENANCE

Grease Filters

The **grease filters** should be cleaned frequently. Use a warm detergent solution. Grease filters are dishwasher safe.

Remove filters by pushing filters towards the back of hood and rotating filters downward.



Ductfree Filters

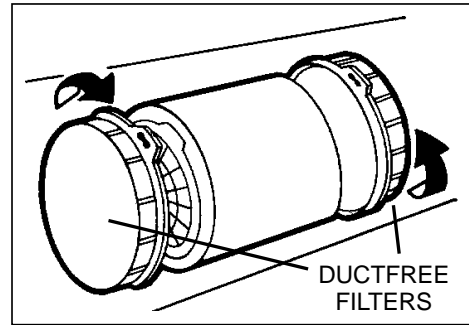
The ductfree filters should be changed every 6 months. Rotate the filters to remove and replace.

Hood Cleaning

Stainless steel is one of the easiest materials to keep clean. Occasional care will help preserve its fine appearance.

Cleaning tips:

- Hot water with soap or detergent is all that is usually needed.
- Follow all cleaning by rinsing with clear water. Wipe dry with a clean, soft cloth to avoid water marks.
- For discolorations or deposits that persist, use a non-scratching household cleanser or stainless steel polishing powder with a little water and a soft cloth.
- For stubborn cases, use a plastic scouring pad or soft bristle brush together with cleanser and water. Rub lightly in direction of polishing lines or "grain" of the stainless finish. Avoid using too much pressure which may mar the surface.
- **DO NOT** allow deposits to remain for long periods of time.
- **DO NOT** use ordinary steel wool or steel brushes. Small bits of steel may adhere to the surface causing rust.
- **DO NOT** allow salt solutions, disinfectants, bleaches, or cleaning compounds to remain in contact with stainless steel for extended periods. Many of these compounds contain chemicals which may be harmful. Rinse with water after exposure and wipe dry with a clean cloth.



Painted surfaces should be cleaned with warm water and mild detergent only.

OPERATION

Controls

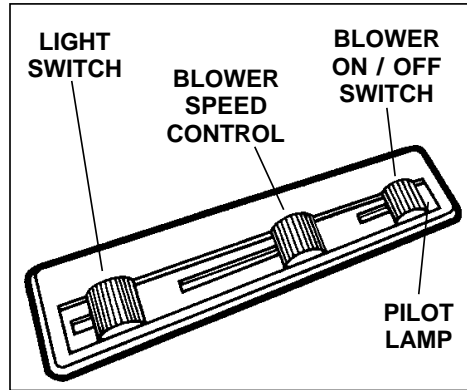
The hood is operated using the slide controls under the front edge of the hood.

The **light switch** turns the halogen lights on and off.

The **blower on / off switch** turns the blower on to the running speed set by the blower speed control. The blower must be turned on and off using this switch.

The **blower speed control** changes the running speed of the blower. It is infinitely adjustable from low to high speed.

The **pilot lamp** lights up whenever the blower is on.

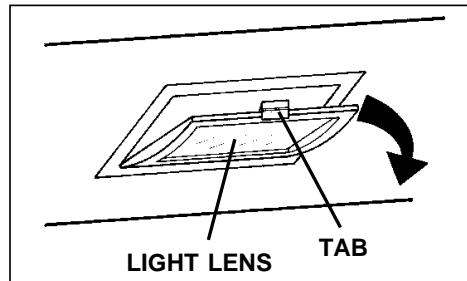


HALOGEN BULBS

This range hood requires two halogen bulbs (Type T4, 12V, 20W).

To change bulbs:

1. Open the **light lens** by grasping the **tab** on the lens and rotating lens downward.
2. Remove the bulb by pulling sideward (Do not rotate). **CAUTION: BULB MAY BE HOT!**
3. Do not touch replacement bulb with bare hands! Push bulb securely into lamp socket and snap lens closed.



WARRANTY

BROAN ONE YEAR LIMITED WARRANTY

Broan warrants to the original consumer purchaser of its products that such products will be free from defects in materials or workmanship for a period of one year from the date of original purchase. THERE ARE NO OTHER WARRANTIES, EXPRESS OR IMPLIED, INCLUDING, BUT NOT LIMITED TO, IMPLIED WARRANTIES OR MERCHANT ABILITY OR FITNESS FOR A PARTICULAR PURPOSE.

During this one-year period, Broan will, at its option, repair or replace, without charge, any product or part which is found to be defective under normal use and service.

THIS WARRANTY DOES NOT EXTEND TO FLUORESCENT LAMP STARTERS AND TUBES. This warranty does not cover (a) normal maintenance and service or (b) any products or parts which have been subject to misuse, negligence, accident, improper maintenance or repair (other than by Broan), faulty installation or installation contrary to recommended installation instructions.

The duration of any implied warranty is limited to the one-year period as specified for the express warranty. Some states do not allow limitation on how long an implied warranty lasts, so the above limitation may not apply to you.

BROAN'S OBLIGATION TO REPAIR OR REPLACE, AT BROAN'S OPTION, SHALL BE THE PURCHASER'S SOLE AND EXCLUSIVE REMEDY UNDER THIS WARRANTY. BROAN SHALL NOT BE LIABLE FOR INCIDENTAL, CONSEQUENTIAL OR SPECIAL DAMAGES ARISING OUT OF OR IN CONNECTION WITH PRODUCT USE OR PERFORMANCE. Some states do not allow the exclusion or limitation of incidental or consequential damages, so the above limitation or exclusion may not apply to you.

This warranty gives you specific legal rights, and you may also have other rights, which vary from state to state. This warranty supersedes all prior warranties.

To qualify for warranty service, you must (a) give the model number and part identification. (b) describe the nature of any defect in the product or part. At the time of requesting warranty service, you must present evidence of the original purchase date.

SERVICE PARTS

61000 SERIES RANGE HOOD

KEY NO.	PART NO.	DESCRIPTION
6	B02000191	Filter Spring
9	B08087485	Grease Filter
14	B02300730	Motor Capacitor
19	B03295005	Terminal Box
26	B02300722	Halogen Lamp Bulb
30	B03292291	Switch Cover
42	B03290377	Ductfree Filter Bracket
48	B02310094	Motor
49	B03295000	Blower Wheel
53	B03202007	Rubber Washer
57	B02000756	Damper Flap
68	B02000293	Right Blower Housing
69	B02000294	Left Blower Housing
99	BE3334372	Filter Channel
113	B03202433	Nameplate
115	BE3495228	Wiring Box
116	BE3334252	Wiring Box Cover
118	BE3342283	Decorative Flue Bottom
119	BE3342284	Decorative FlueTop
120	B03202118	Flue Mounting Bracket
122	B08089123	Ductfree Plenum
123	B03292283	Duct Connector
144	B03292287	Wire Clamp
165	B03292161	Control Board Box
166	B08086101	Control Board
167	B03292162	Control Board Box Cover
168	B03292163	Capacitor Box Cover
208	B02300717	Transformer
223	B03292294	Switch Button
474	B02300719	Halogen Lamp Housing
477	B03295006	Terminal Cover
*	B06001768	Blower Assembly (Includes Key Nos. 42, 48, 49, 53, 68, 69)
*	B06106282	Control Board Assembly (Includes Key Nos. 144, 165, 166, 167, 168)
*	B06106286	Switch Assembly (Includes Key Nos. 222, 223, 224, 225, 226, 228, 229, 230)
*	B06106285	Motor Capacitor Assembly w/ Wires (Includes Key No. 14 & Wires)

SERVICE PARTS

61000 SERIES RANGE HOOD

