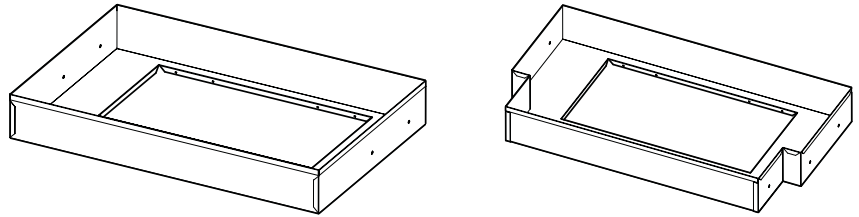


BROAN® NuTone®

SPECIFICATION SHEET

LB30, LB36, LT30 & LT36 LINERS



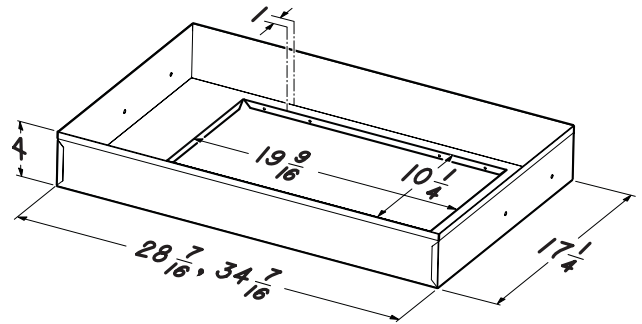
Especially designed to protect the exterior base of a custom hood. Fits PM250 & PM390 inserts.

FEATURES

- Cabinet mount – custom application
- 24 gauge CRS
- Painted silver finish
- Fits into cabinet openings as shown
- Fits custom hood nominal widths: 30" & 36"
- Wipes clean easily
- Recommended for use with Models PM250 & PM390 Power Modules

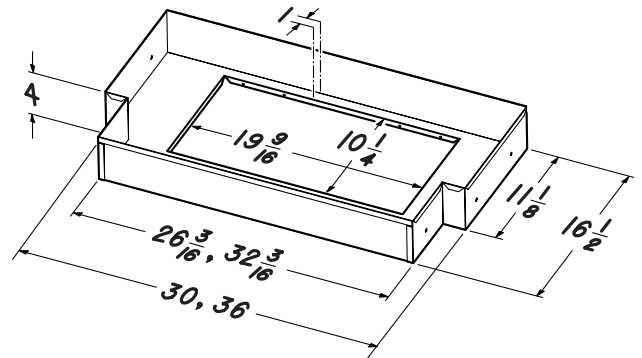
Models LB30 & LB36

The "B" or Box liner is designed to fit into 18" deep wood hood or cabinet bottoms.



Models LT30 & LT36

The "T" or liner is designed to work with wood hoods that are integrated to the adjacent 12" deep cabinets.



REFERENCE	QTY.	REMARKS	Project
			Location
			Architect
			Engineer
			Contractor
			Submitted by Date