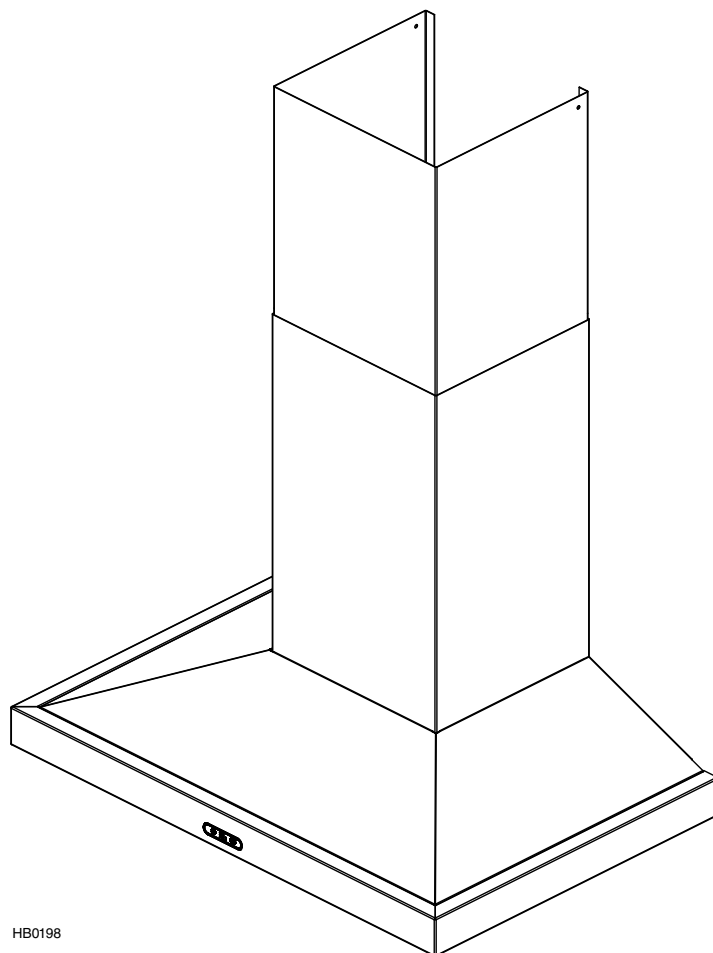


INSTALLATION INSTRUCTIONS

BROAN® *Elite*



HB0198

EW54 SERIES

⚠ INTENDED FOR DOMESTIC COOKING ONLY ⚠

READ AND SAVE THESE INSTRUCTIONS

INSTALLER: LEAVE THIS MANUAL WITH HOMEOWNER.
HOMEOWNER: USE AND CARE INFORMATION ON PAGE 13.



7 7 2 3 7 1 1 3 9 3 7 4

⚠ WARNING

TO REDUCE THE RISK OF FIRE, ELECTRIC SHOCK OR INJURY TO PERSONS, OBSERVE THE FOLLOWING:

1. Use this unit only in the manner intended by the manufacturer. If you have questions, contact the manufacturer at the address or telephone number listed in the warranty.
2. Before servicing or cleaning unit, switch power off at service panel and lock service disconnecting means to prevent power from being switched on accidentally. When the service disconnecting means cannot be locked, securely fasten a prominent warning device, such as a tag, to the service panel.
3. Installation work and electrical wiring must be done by qualified personnel in accordance with all applicable codes and standards, including fire-rated construction codes and standards.
4. Sufficient air is needed for proper combustion and exhausting of gases through the flue (chimney) of fuel burning equipment to prevent backdrafting. Follow the heating equipment manufacturer's guidelines and safety standards such as those published by the National Fire Protection Association (NFPA) and the American Society for Heating, Refrigeration and Air Conditioning Engineers (ASHRAE) and the local code authorities.
5. When cutting or drilling into wall or ceiling, do not damage electrical wiring and other hidden utilities.
6. Ducted fans must always be vented outdoors.
7. Do not use this unit with any solid-state speed control device.
8. To reduce the risk of fire, use only metal ductwork.
9. This unit must be grounded.
10. When applicable, local regulations comprise more restrictive installation and/or certification requirements, the aforementioned requirements prevail on those of this document and the installer agrees to conform to these at his own expense.

TO REDUCE THE RISK OF A RANGE TOP GREASE FIRE:

- a) Never leave surface units unattended at high settings. Boilovers cause smoking and greasy spillovers that may ignite. Heat oils slowly on low or medium settings.
- b) Always turn power hood ON when cooking at high heat or when flambeing food (i.e.: Crêpes Suzette, Cherries Jubilee, Peppercorn Beef Flambé).
- c) Clean ventilating fans frequently. Grease should not be allowed to accumulate on fan, filters or in exhaust ducts.
- d) Use proper pan size. Always use cookware appropriate for the size of the surface element.

⚠ WARNING

TO REDUCE THE RISK OF INJURY TO PERSONS IN THE EVENT OF A RANGE TOP GREASE FIRE, OBSERVE THE FOLLOWING*:

1. SMOTHER FLAMES with a close-fitting lid, cookie sheet or metal tray, then turn off the burner. BE CAREFUL TO PREVENT BURNS. IF THE FLAMES DO NOT GO OUT IMMEDIATELY, EVACUATE AND CALL THE FIRE DEPARTMENT.
2. NEVER PICK UP A FLAMING PAN — You may be burned.
3. DO NOT USE WATER, including wet dishcloths or towels — This could cause a violent steam explosion.
4. Use an extinguisher ONLY if:
 - A. You own a Class ABC extinguisher and you know how to operate it.
 - B. The fire is small and contained in the area where it started.
 - C. The fire department has been called.
 - D. You can fight the fire with your back to an exit.

* Based on "Kitchen Fire Safety Tips" published by NFPA.

CAUTION

1. For indoor use only.
2. For general ventilating use only. Do not use to exhaust hazardous or explosive materials and vapors.
3. To avoid motor bearing damage and noisy and/or unbalanced impellers, keep drywall spray, construction dust, etc. off power unit.
4. Your hood motor has a thermal overload which will automatically shut off the motor if it overheats. The motor will restart when it cools down. If the motor continues to shut off and restart, have the hood serviced.
5. The minimum hood distance above cooktop is 24" (30" over a gas range). A maximum of 30" above cooktop is recommended for best capture of cooking impurities.
6. Two installers are recommended because of the large size and weight of this unit.
7. To reduce the risk of fire and to properly exhaust air, be sure to duct air outside — Do not exhaust air into spaces within walls or ceiling or into attics, crawl space or garage.
8. Because of the high exhausting capacity of this hood, you should make sure enough air is entering the house. Open a window close to or in the kitchen.
9. To reduce the risk of fire and electrical shock, the Bron Elite EW54 Series models should only be installed with their own built-in blower.
10. When used in recirculation mode, to reduce the risk of fire and shock, use only conversion kit model HRKMBLS.
11. Please read specification label on product for further information and requirements.

1. PREPARE THE INSTALLATION

⚠ WARNING

When performing installation, servicing or cleaning the unit, it is recommended to wear safety glasses and gloves.

NOTE: Before proceeding to the installation, check the contents of the box. If items are missing or damaged, contact the manufacturer.

Make sure that the following items are included:

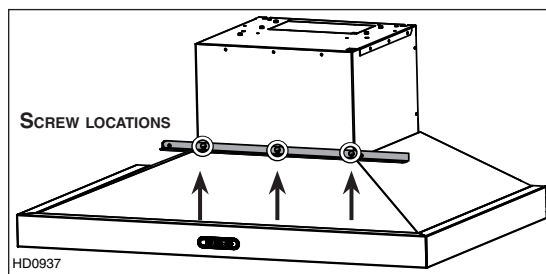
- Hood
- Accessories
 - Decorative flue assembly (lower and upper flues)
 - Hood mounting bracket
 - Upper flue mounting bracket
 - 2 micromesh filters
 - 6" round adapter/damper (for vertical discharge), in a bag
 - 3¼" x 10" adapter/damper (for horizontal or vertical discharge)
 - Suction cup (taped to one of the GU10 halogen bulbs)
 - Bag of parts including: 5 no. 8 x 1½" countersunk screws, 8 no. 8 x ¾" screws, 6 no. 8 x ⅜" screws, 6 drywall anchors, 3 washers, 2 no. 8 x 1/2" screws, 2 neoprene pieces. If need be, discard extra hardware.

Parts sold separately:

- Duct, elbows, wall or roof caps.
- Optional flue extension for 10-ft. ceilings model FXE54BLS.
- Non-duct kit model HRKMBSL, mandatory for non-ducted installation.

NOTE: The maximum ceiling height must not exceed 9 ft. when using a non-duct kit.

Before installation, remove and discard the shipping bracket (in grey) and its retaining screws. See illustration on the right.



2. SELECT INSTALLATION TYPE

NOTE: During the installation, protect countertop and/or cooktop.

2.1 NON-DUCTED INSTALLATION

The HRKMBSL non-duct kit is required for a non-ducted installation.

2.2 DUCTED INSTALLATION

Plan where and how the ductwork will be installed.

Install proper-sized ductwork, elbows and roof or wall cap depending on the type of installation. For vertical discharge, use 6" round or 3¼" x 10" ductwork and for horizontal discharge use 3¼" x 10" ductwork only. Use metal foil duct tape to seal duct joints.

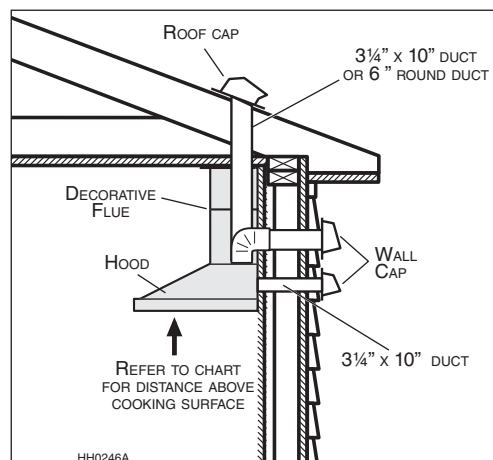
2.3 ALL INSTALLATIONS

The minimum hood distance above cooktop is 24" (30" over a gas range). A maximum of 30" above cooktop is recommended for best capture of cooking impurities.

Distances over 30" are at the installer and users discretion providing that ceiling height and decorative flue length allow it.

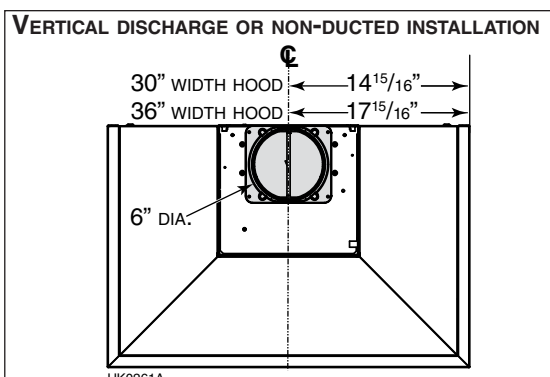
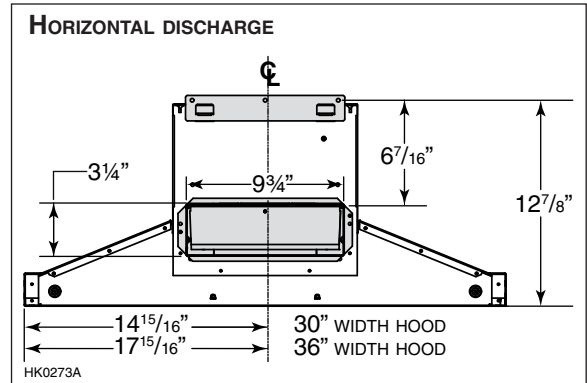
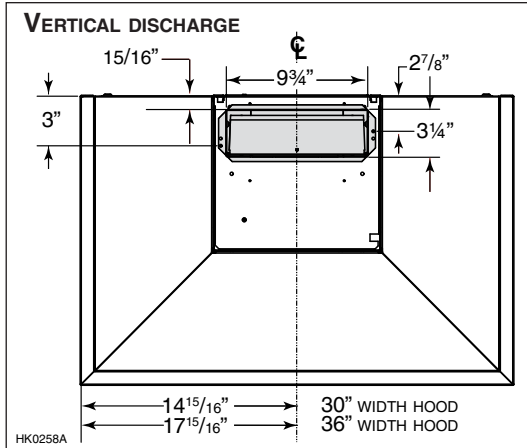
CEILING HEIGHT	MINIMUM HOOD DISTANCE ABOVE ELECTRIC RANGE COOKTOP	MINIMUM HOOD DISTANCE ABOVE GAS RANGE COOKTOP
8 FT.	24 IN.	30 IN.
9 FT.	28½ IN.	30 IN.
10 FT.*	28½ IN.	30 IN.

* 10-ft. ceilings require flue extension model FXE54BLS (sold separately).



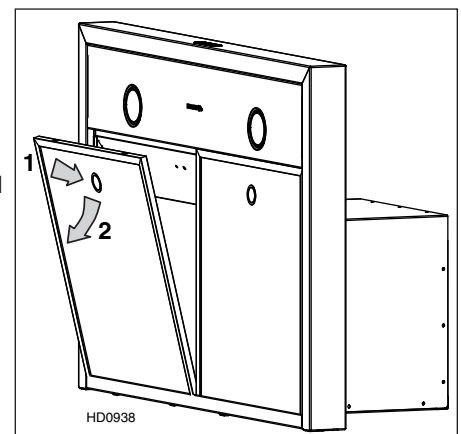
2. SELECT INSTALLATION TYPE (CONT'D)

Refer to illustrations below to locate duct opening according to discharge type chosen (grey parts to be installed later).



3. REMOVE GREASE FILTERS

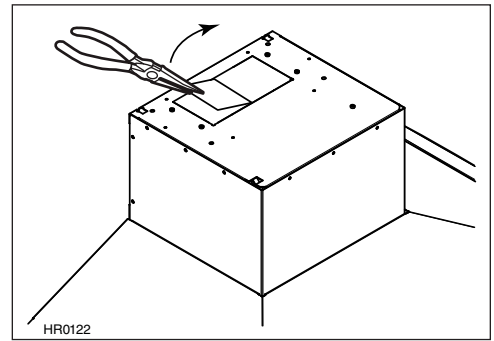
Rest the range hood on a table. Remove tapes on filters. Remove filters from the range hood by pushing them down (1) and tilting them (2). Set aside the filters. Remove both styrofoam pieces and tape from under the blower and discard.



4. CHOOSE THE OPENING

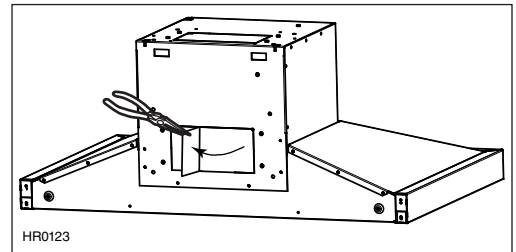
FOR VERTICAL DISCHARGE OR NON-DUCTED INSTALLATION:

From outside the unit, remove the knockout in order to clear vertical discharge opening (see illustration beside).



FOR HORIZONTAL DISCHARGE:

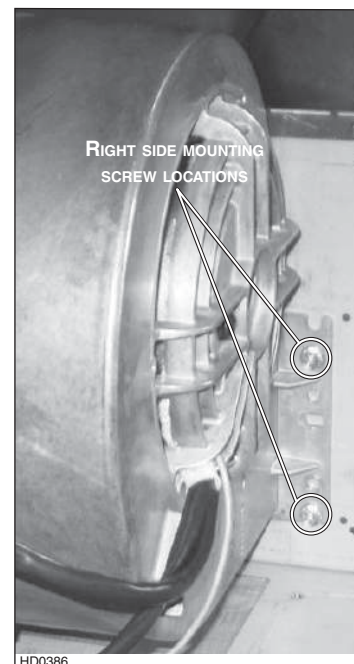
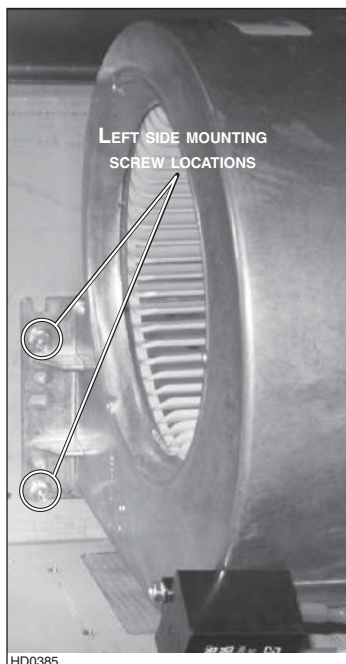
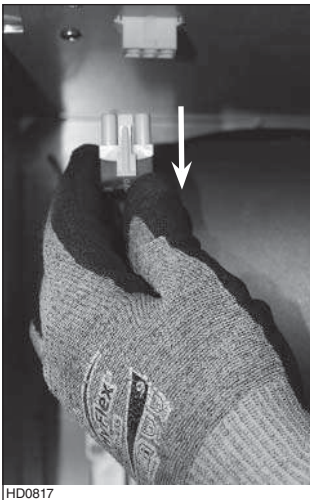
From outside the unit, remove the knockout from back of hood (see illustration beside).



5. BLOWER REMOVAL (HORIZONTAL DISCHARGE ONLY)

The EW54 Series range hoods are factory shipped with the blower mounted for a vertical discharge configuration. For a horizontal discharge configuration, disassemble the blower from the inner top of the hood (see procedure below). It will be assembled to the inner back of the hood once the hood is mounted on the wall.

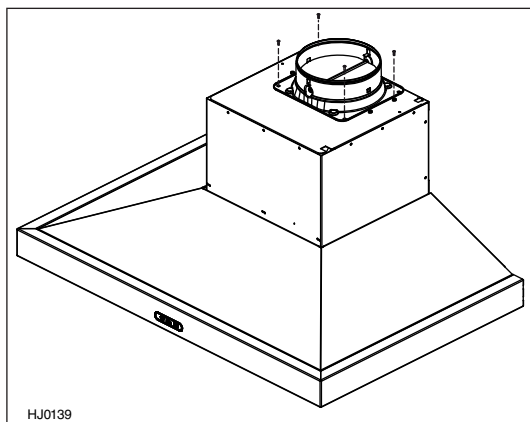
- 1) Unplug the blower.
- 2) Using a 5/16" socket, or a Robertson or a Phillips no. 2 screwdriver, remove the 4 blower mounting screws (2 on each side) from the inner top of the hood (see pictures below). Set the blower and screws aside.



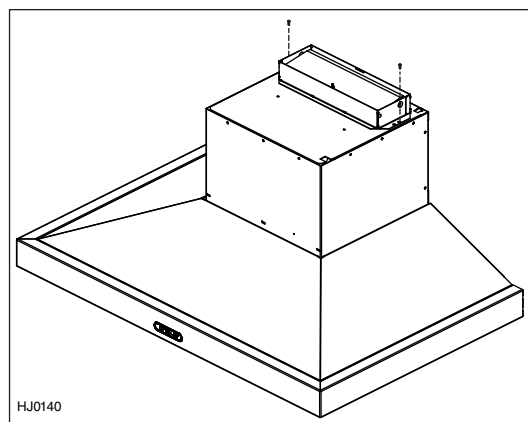
6. INSTALL ADAPTER/DAMPER (6" ROUND OR 3¼" x 10")

Mount the 6" round adapter/damper (included in bag) using 4 no. 8 x 3/8" screws (included) or the 3¼" x 10" adapter/damper to the hood using 2 no. 8 x 3/8" screws (included). Seal the adapter/damper to the hood using metal foil duct tape.

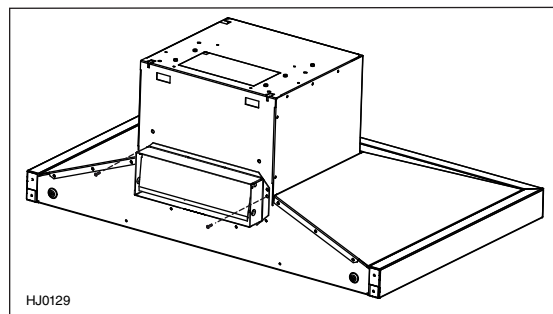
VERTICAL DISCHARGE 6" ROUND AND NON-DUCTED INSTALLATION ONLY



VERTICAL DISCHARGE 3¼" x 10"



HORIZONTAL DISCHARGE 3¼" x 10" ONLY



Secure the adapter/damper to the back of the hood using 2 no. 8 x 3/8" screws (included). Seal the adapter/damper to the hood using metal foil duct tape.

NOTE: The wall ducting must be properly prepared to receive the adapter. Before performing the installation, make sure the adapter fits easily in the duct.

7. WIRING INSTALLATION

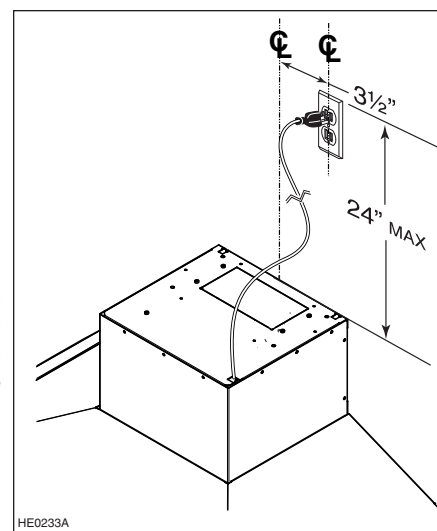
⚠ WARNING

Improper grounding can result in a risk of electric shock. Consult a qualified electrician if the grounding instructions are not completely understood, or if there is any doubt as to whether the appliance is properly grounded. Do not use an extension cord. If the power supply cord is too short, have a qualified electrician install an outlet near the appliance, in accordance with all applicable codes and standards. Turn off electrical power at service entrance before wiring.

GROUNDING INSTRUCTIONS

This appliance must be grounded. In the event of an electrical short circuit, grounding reduces the risk of electric shock by providing an escape wire for the electric current. This appliance is equipped with a cord having a grounding wire with a grounding plug. The plug must be plugged into an outlet that is properly installed and grounded.

Position the outlet within the space covered by the decorative flue. Place the outlet at a maximum distance of 24" (from where the cord exits from the hood). The center of the outlet must be positioned at 3½" from the center of the future hood location (as illustrated beside). Make sure this does not interfere with a mounting bracket fastening area or with the decorative flue (where the flue touches the wall).

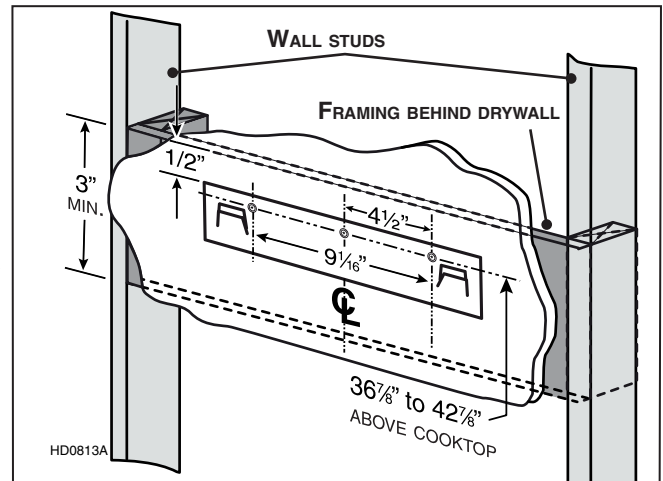


8. INSTALL HOOD MOUNTING BRACKET

⚠ WARNING

When cutting or drilling into wall, do not damage electrical wiring and other hidden utilities.

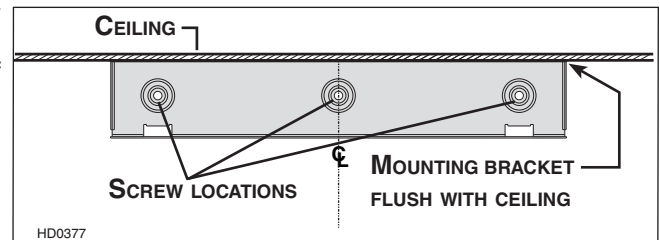
Construct wood wall framing that is even with the surface of wall studs. Wood wall framing must be at least 1/2" thick and 3" high. Fasten wood wall framing to wall studs for a solid installation. Make sure that the height of the framing will allow the mounting bracket to be secured to the framing within the dimensions shown. After wall surface is finished, carefully center and level the hood mounting bracket over installation location. Secure it to wall framing using 3 no. 8 x 1 1/2" screws. Using a level, draw a vertical line up to the ceiling starting from the mounting bracket center.



36⁷/₈" = BOTTOM OF HOOD 24" ABOVE COOKTOP
42⁷/₈" = BOTTOM OF HOOD 30" ABOVE COOKTOP

9. INSTALL UPPER FLUE MOUNTING BRACKET (DUCTED INSTALLATION ONLY)

Center the upper flue mounting bracket with the center line previously drawn in step 8 and place it flush with the ceiling. Use the upper flue mounting bracket as a template to mark the position of its screws. Drill the 3 screw holes using a 3/16" drill bit. Insert the included drywall anchors into the drilled holes (1 per hole). Secure the upper flue bracket to the wall using 3 no. 8 x 3/4" screws. Ensure that the bracket is tight against the wall.



10. INSTALL THE HOOD

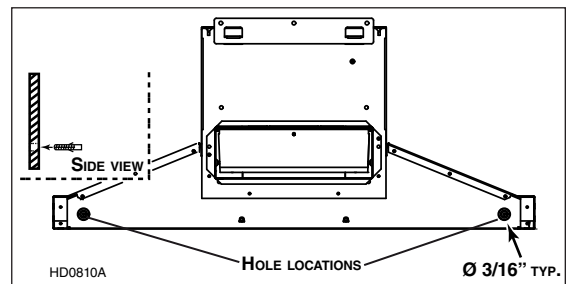
⚠ WARNING

BE CAREFUL when installing the decorative flue and hood, they may have sharp edges.

CAUTION

DO NOT REMOVE the protective plastic film covering the decorative flue (upper & lower) yet.

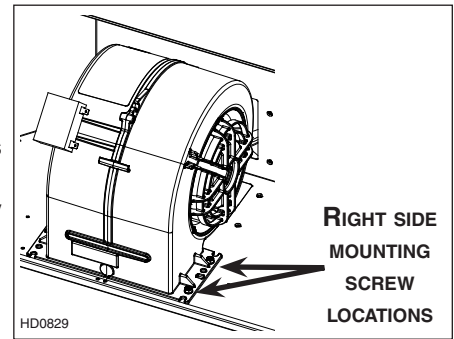
1. Align the hood and center it above the hood mounting bracket. Gently lower the hood until it securely engages the bracket.
2. Level the hood.
3. With the hood hanging in place, mark both hole locations on wall (2 embossed holes on back of hood; see illustration at right).
4. Remove the hood.
5. Drill through both marked holes on wall using a 3/16" drill bit. Insert the included drywall anchors into the drilled holes (one for each hole).
6. Hang the hood to the wall bracket.
7. Secure the hood to the wall using 2 no. 8 x 3/4" screws and 2 washers.



NOTE: ILLUSTRATION ABOVE REPRESENTS HORIZONTAL EXHAUST CONFIGURATION, BUT IT ALSO APPLIES TO ALL CONFIGURATIONS.

11. REINSTALL BLOWER (HORIZONTAL DISCHARGE ONLY)

1. Position the blower on the inner back of the hood, as shown on the right.
2. Using a 5/16" socket, or a Robertson or a Phillips no. 2 screwdriver and the 4 screws previously removed, secure the blower to the hood.
NOTE: In order to ease installation, before mounting the blower, prepare the screw holes by screwing all 4 screws without the blower, then remove and mount the blower.
3. Plug the blower connector back in and plug hood power cord into the outlet.

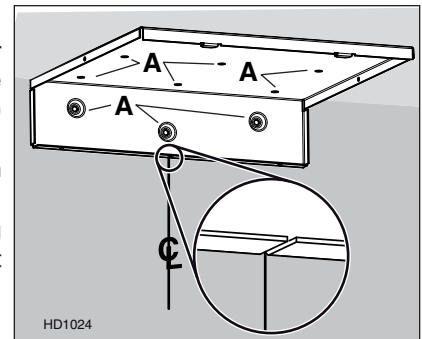


12. PLENUM INSTALLATION (NON-DUCTED INSTALLATION ONLY)

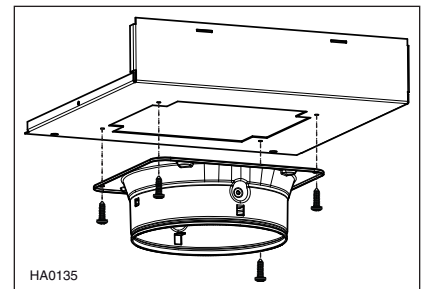
Remove the shipping tape retaining the lower and upper plenum plates with the 6" round adapter together. Carefully align the upper plenum plate central notch with the line traced in step 8 (see inset at right) and place it flush to the ceiling. Use the plate as a template to mark the position (A) of its screws.

NOTE: To ease installation, there are many screw configurations: 6 in ceiling and 2 in wall, on each side. Only 4 screws are needed to hold the top plenum plate.

Insert the included drywall anchors in the marked holes, then secure the upper plate using 4 no. 8 x 3/4" screws and washers (included with non-duct kit). Make sure the plate is tight against the wall and ceiling.



Using 4 no. 8 x 3/8" provided screws, assemble the 6" round adapter to the lower plenum plate.



Assemble the lower plenum plate and 6" round adapter assembly to the upper plate by inserting both tabs of the top plenum plate to their corresponding slots in lower plenum plate. Secure the plenum assembly using 2 no. 8-18 x 3/8" screws (included).

