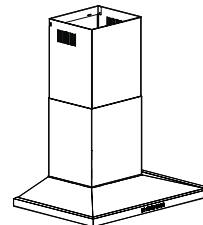


CHIMNEY RANGE HOOD

To register this product visit:
www.broan-nutone.com or
www.broan-nutone.ca



READ AND SAVE THESE INSTRUCTIONS

! INTENDED FOR DOMESTIC COOKING ONLY. !

WARNING

TO REDUCE THE RISK OF FIRE, ELECTRIC SHOCK, OR INJURY TO PERSON(S) OBSERVE THE FOLLOWING:

1. Use this unit only in the manner intended by the manufacturer. If you have questions, contact the manufacturer at the address or telephone number listed in the warranty.
2. Before servicing or cleaning unit, switch power off at service panel and lock service disconnecting means to prevent power from being switch on accidentally. When the service disconnecting means cannot be locked, securely fasten a prominent warning device, such as a tag, to the service panel.
3. Installation work and electrical wiring must be done by qualified personnel in accordance with all applicable codes and standards, including fire-rated construction codes and standards.
4. Sufficient air is needed for proper combustion and exhausting of gases through the flue (chimney) of fuel burning equipment to prevent backdrafting. Follow the heating equipment manufacturer's guidelines and safety standards such as those published by the National Fire Protection Association (NFPA), the American Society for Heating, Refrigeration and Air Conditioning Engineers (ASHRAE) and the local code authorities.
5. This product may have sharp edges. Be carefull to avoid cuts and abrasions during installation or cleaning.
6. When cutting or drilling into wall or ceiling, do not damage electrical wiring and other hidden utilities.
7. Ducted fans must always be vented to the outdoors.
8. Do not use this unit with any other solid-state speed control device.
9. Use only metal ductwork.
10. This unit must be grounded.

TO REDUCE THE RISK OF A RANGE TOP GREASE FIRE:

- a) Never leave surface units unattended at high settings. Boilovers cause smoking and greasy spillovers that may ignite. Heat oils slowly on low or medium settings.
- b) Always turn hood ON when cooking at high heat or when cooking flaming foods (i.e. Crêpes Suzette, Cherries Jubilee, Peppercorn Beef Flambé).
- c) Clean ventilating fans frequently. Grease should not be allowed to accumulate on fan or filters.
- d) Use proper pan size. Always use cookware appropriate for the size of the surface element.

WARNING

TO REDUCE THE RISK OF INJURY TO PERSON(S) IN THE EVENT OF A RANGE TOP GREASE FIRE, OBSERVE THE FOLLOWING*:

1. SMOTHER FLAMES with a close-fitting lid, cookie sheet, or metaltray, then turn off the burner. BE CAREFUL TO PREVENT BURNS. IF THE FLAMES DO NOT GO OUT IMMEDIATELY, EVACUATE AND CALL THE FIRE DEPARTMENT.
2. NEVER PICK UP A FLAMING PAN – You may be burned.
3. DO NOT USE WATER, including wet dishcloths or towels – This could cause a violent steam explosion.
4. Use an extinguisher ONLY if:
 - A. You know you have a Class ABC extinguisher and you know how to operate it.
 - B. The fire is small and contained in the area where it started.
 - C. The fire department has been called.
 - D. You can fight the fire with your back to an exit.

* Based on "Kitchen Fire Safety Tips" published by NFPA.

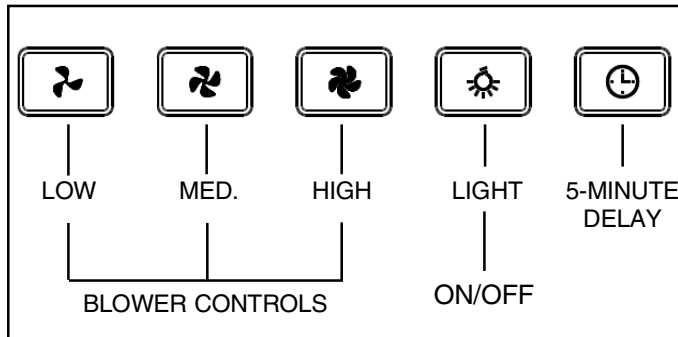
CAUTION

1. For indoor use only.
2. For general ventilating use only. Do not use to exhaust hazardous or explosive materials and vapors.
3. To avoid motor bearing damage and noisy and/or unbalanced impeller, keep drywall spray, construction dust, etc. off power unit.
4. Do not use over cooking equipment greater than 60,000 BTU/hr. as the blower motor will shut down intermittently.
5. Your hood motor has a thermal overload which will automatically shut off the motor if it becomes overheated. The motor will restart when it cools down. If the motor continues to shut off and restart, have the hood serviced.
6. The bottom of the hood MUST NOT BE LESS than 26" and at a maximum of 36" above cooktop for best capture of cooking impurities.
7. Two installers are recommended because of the size of this hood.
8. To reduce risk of fire and to properly exhaust air, be sure to duct air outside. Do not exhaust air into spaces within walls or ceilings or into attics, crawl spaces, or garages.
9. Be careful when installing the decorative flue and hood, they may have sharp edges.
10. Please read specification label on product for further information and requirements.

INSTALLER: LEAVE THIS GUIDE WITH THE HOMEOWNER.

HOMEOWNER: OPERATION AND MAINTENANCE INFORMATION ON PAGE 2.

OPERATION



The hood is operated using the push buttons on the front panel.

Push the light button to turn the lights on and off.

Push the blower controls to select low, medium, or high blower speed (for each speed selected, its indicating light will beam). Press on the current blower speed another time to stop it.

While the blower is activated, press the 5-minute delay button once (its indicating light will beam) to get the hood running for 5 minutes and then turn off automatically.

When the 5-minute delay is activated, changing the blower speed will cancel the 5-minute delay function.

To cancel the delay off function before the end of the 5-minute cycle, press again on 5-minute delay push button or select an other blower speed.

CLEANING & MAINTENANCE

Proper maintenance of the Range Hood will assure proper performance of the unit.

MOTOR

The motor is permanently lubricated and never needs oiling. If the motor bearings make excessive or unusual noise, replace the blower with the exact service blower.

GREASE FILTERS

The grease filters should be cleaned frequently. Use a warm dishwashing detergent solution. Grease filters are dishwasher safe.

Clean all-metal filters in the dishwasher using a non-phosphate detergent. Discoloration of the filters may occur if using phosphate detergents, or as a result of local water conditions - but this will not affect filter performance. This discoloration is not covered by the warranty.

Remove grease filters by pulling down on the metal latch tab. This will disengage the filters from the hood. Tilt the filters downward and remove.

NON-DUCTED RECIRCULATION FILTERS

The non-ducted recirculation filters should be changed every 6 months. Replace more often if your cooking style generates extra grease, such as frying and wok cooking. Turn the filter mounting tabs to remove filter and replace.

STAINLESS STEEL CLEANING

DO:

- Regularly wash with clean cloth or rag soaked with warm water and mild soap or liquid dish detergent.
- Always clean in the direction of original polish lines.
- Always rinse well with clear water (2 or 3 times) after cleaning. Wipe dry completely.
- You may also use a specialized household stainless steel cleaner.

DON'T:

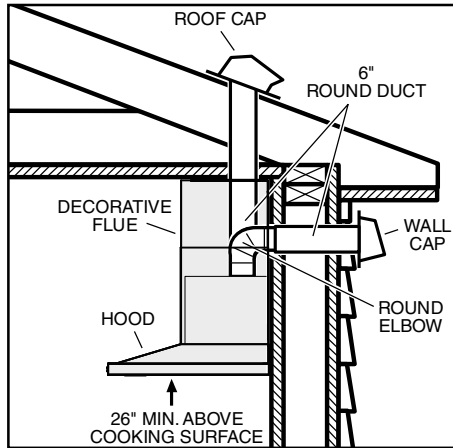
- Use any steel or stainless steel wool or any other scrapers to remove stubborn dirt.
- Use any harsh or abrasive cleansers.
- Allow dirt to accumulate.
- Let plaster dust or any other construction residues reach the hood. During construction/renovation, cover the range hood to make sure no dust sticks to the stainless steel surface.

Avoid: When choosing a detergent

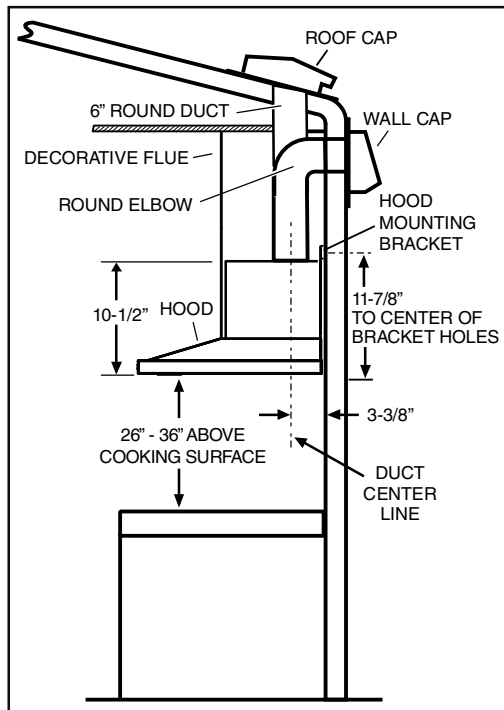
- Any cleaners that contain bleach will attack stainless steel
- Any products containing: chloride, fluoride, iodide, bromide will deteriorate surfaces rapidly.
- Any combustible products used for cleaning such as acetone, alcohol, ether, benzol, etc., are highly explosive and should never be used close to a range.

INSTALL THE DUCTWORK (Ducted Hoods Only)

1. Decide where the ductwork will run between the hood and the outside.
2. A straight, short duct run will allow the hood to perform most efficiently.
3. Long duct runs, elbows and transitions will reduce the performance of the hood. Use as few of them as possible. Larger ducting may be required for best performance with longer duct runs.
4. Install wall cap or roof cap. Connect round metal ductwork to cap and work back towards the hood location. Use duct tape to seal the joints between ductwork sections.



MEASURE THE INSTALLATION



The minimum hood distance above cooktop **MUST NOT BE LESS** than 26".

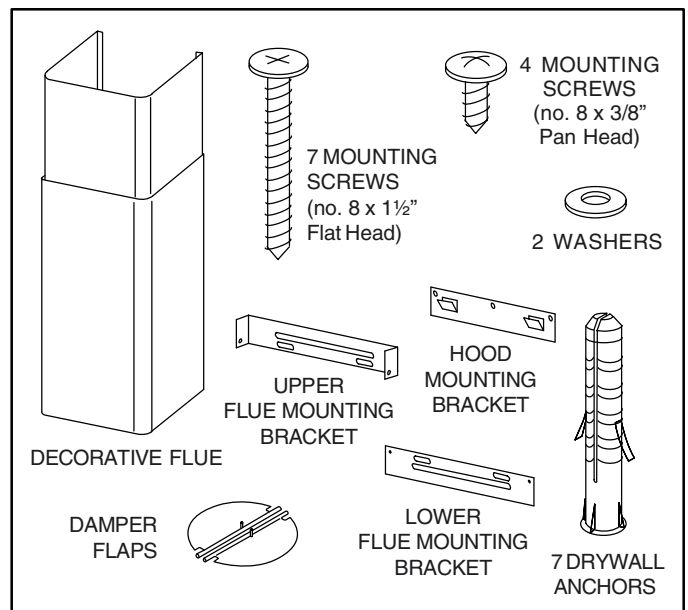
A maximum of 36" above cooktop is highly recommended for best capture of cooking impurities.

Distances over 36" are at the installer and users discretion; providing that the ceiling height permits.

PREPARE THE HOOD

Unpack hood and check contents. You should receive:

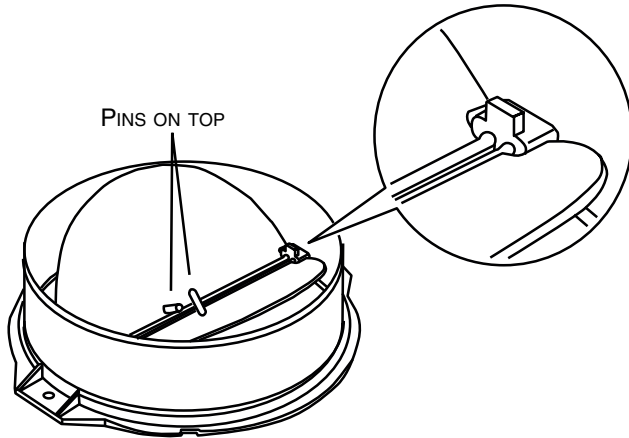
- 1 - Hood
- 1 - Decorative Flue Assembly
- 2 - Damper Flaps
- 1 - Lower Flue Mounting Bracket
- 1 - Upper Flue Mounting Bracket
- 1 - Hood Mounting Bracket
- 2 - Aluminum Grease Filters (**BWS1 series**, included packaged in a cardboard box)
- 2 - Hybrid Baffle Filters (**BWS2 series**, included packaged in a cardboard box)
- 1 - Installation Manual
- 1 - Parts Bag containing:
 - 4 - Mounting Screws (no. 8 x 3/8" Pan Head)
 - 7 - Mounting Screws (no. 8 x 1-1/2" Flat Head)
 - 7 - Drywall Anchors
 - 2 - Washers



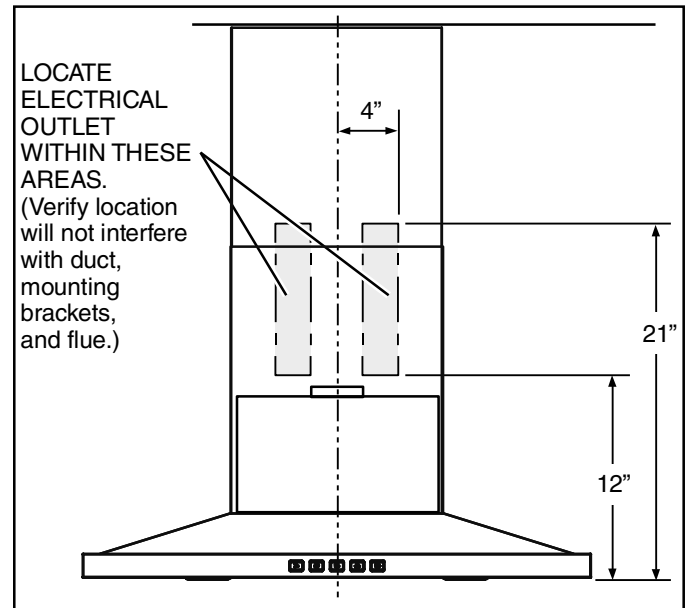
PREPARE THE HOOD (CONT'D)

For ducted installation only:

Install both damper flaps inside the blower exhaust opening, ensuring the pins are top oriented. See illustration below.



INSTALL THE WIRING



1. GROUNDING INSTRUCTIONS

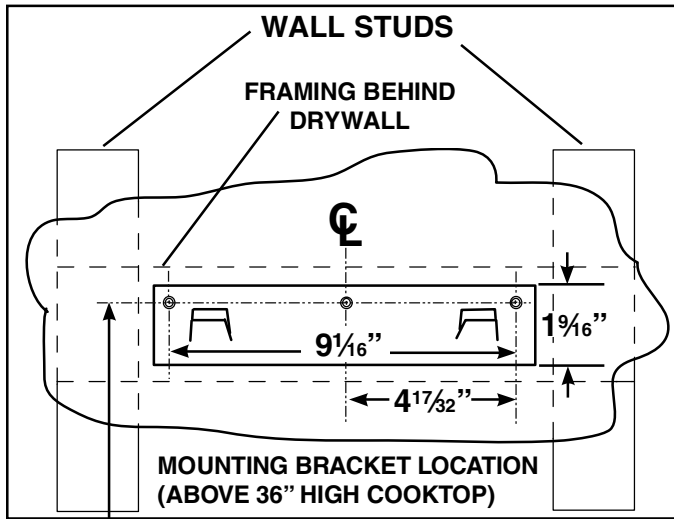
This appliance must be grounded. In the event of an electrical short circuit, grounding reduces the risk of electric shock by providing an escape wire for the electric current. This appliance is equipped with a cord having a grounding wire with a grounding plug. The plug must be plugged into an outlet that is properly installed and grounded.

NOTE:

A recessed "clock" outlet is recommended.

2. Position the electrical outlet within the space covered by the decorative flue and where it will not interfere with the round duct. Make sure the outlet does not interfere with the mounting bracket fastening area, ductwork, or where the decorative flue touches the wall.

INSTALL THE HOOD MOUNTING BRACKET



4 17/8" = bottom of hood 30" above cooktop

- Construct wood wall framing that is flush with interior surface of wall studs.
Make sure:
 - the framing is centered over installation location.
 - the height of the framing will allow the mounting bracket to be secured to the framing within the dimensions shown.
- After wall surface is finished, carefully center and level the hood mounting bracket and secure it to wall framing with (3) no. 8 x 1 1/2" mounting screws. Tighten the screws completely.
NOTE: Do not use drywall anchors.

NOTE:

On 8-ft. ceilings

Hood distance above cooktop is:
Minimum 26", Maximum 36" (for both ducted and non-ducted discharge)

On 9-ft. ceilings

Hood distance above cooktop is:
Minimum 29", Maximum 36" (for both ducted and non-ducted discharge)

On 10-ft. ceilings

Hood distance above cooktop is:
Minimum 29", Maximum 36" (for both ducted and non-ducted discharge).

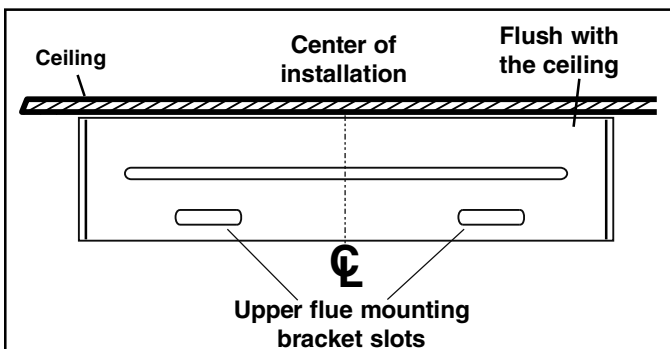
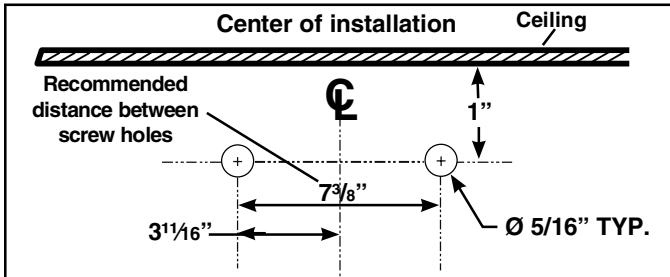
NOTE: 10-ft. ceilings require 10-ft. Flue Extension, model AEBWS (stainless steel) or model AEBWSBLS (black stainless steel) for ducted or non-ducted installations (purchase separately).

CEILING HEIGHT	DUCT METHOD	HOOD DISTANCE ABOVE 36" COOK TOP										
		26"	27"	28"	29"	30"	31"	32"	33"	34"	35"	36"
		MOUNTING BRACKET LOCATION ABOVE 36" HIGH COOK TOP										
8 FEET	DUCTED	37-7/8"	38-7/8"	39-7/8"	40-7/8"	41-7/8"	42-7/8"	43-7/8"	44-7/8"	45-7/8"	---	---
	NON-DUCTED	37-7/8"	38-7/8"	39-7/8"	40-7/8"	41-7/8"	42-7/8"	43-7/8"	44-7/8"	45-7/8"	---	---
9 FEET	DUCTED	---	---	---	40-7/8"	41-7/8"	42-7/8"	43-7/8"	44-7/8"	45-7/8"	46-7/8"	47-7/8"
	NON-DUCTED	---	---	---	40-7/8"	41-7/8"	42-7/8"	43-7/8"	44-7/8"	45-7/8"	46-7/8"	47-7/8"
10 FEET	DUCTED	---	---	---	40-7/8"	41-7/8"	42-7/8"	43-7/8"	44-7/8"	45-7/8"	46-7/8"	47-7/8"
	NON-DUCTED	---	---	---	40-7/8"	41-7/8"	42-7/8"	43-7/8"	44-7/8"	45-7/8"	46-7/8"	47-7/8"

NOTE:

Minimum hood distance above cooktop must not be less than 26".
Distances over 36" above the cooktop are at the installer's and user's discretion - providing that ceiling height and flue length permit.

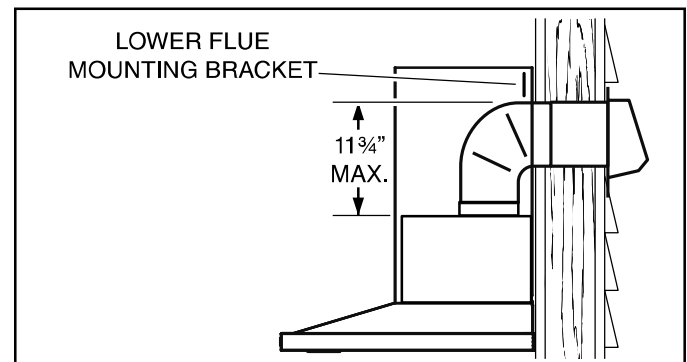
INSTALL UPPER FLUE MOUNTING BRACKET



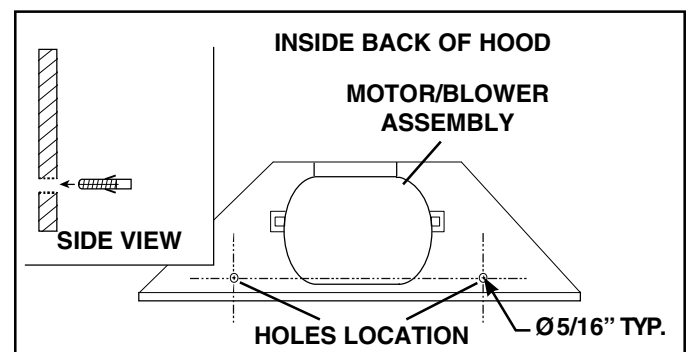
1. If a framing member is not present, drill two 5/16" diameter holes where shown. Insert drywall anchors into the holes.
2. Center the bracket over the hood location and flush with the ceiling. Make sure that the slots of the upper flue bracket are at the bottom. Secure the upper flue bracket to the wall using (2) no. 8 x 1 1/2" mounting screws.
3. Tighten the screws completely. Make sure that the bracket is tight against the wall.

INSTALL THE HOOD (Horizontally Ducted Hoods Only)

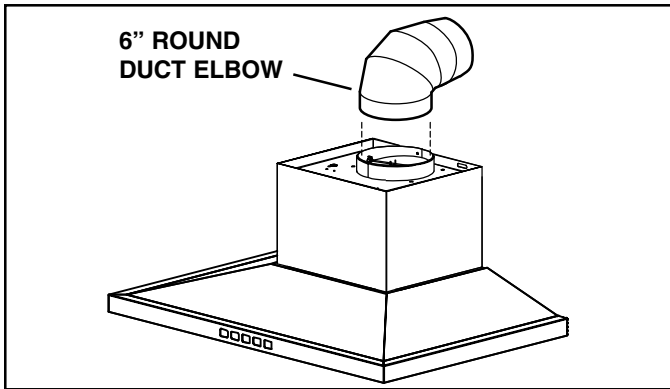
1. DO NOT REMOVE the protective plastic film covering the decorative flue and the hood at this time.
2. Lay the back side of the hood flat on a table. Use a piece of cardboard to avoid damaging the table or the hood.
3. Remove the grease filters by pulling down the metal latch tab and tilting filters downward to remove.
4. Carefully rotate hood upright.



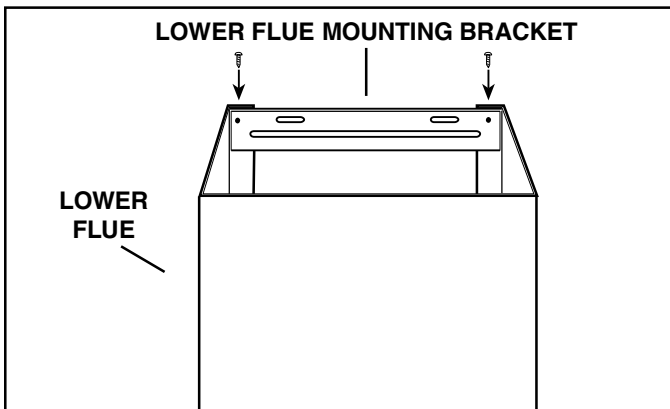
5. To make sure there will be adequate clearance between top of hood and lower flue mounting bracket for ductwork: Elbow must be located below lower flue mounting bracket.
6. Align the hood and center it above the hood mounting bracket. Gently lower the hood until it securely engages the bracket.



7. With the hood hanging in place, drill through both holes located in the inside lower back of hood using a 5/16" drill bit. Insert the included drywall anchors into the drilled holes (one for each hole). Install (2) washers and (2) no. 8 x 1 1/2" mounting screws through the hood back and into the drywall anchors. Verify that the hood is centered and leveled. Tighten all screws completely.
8. Reinstall grease filters by aligning rear filter tabs with slots in the hood. Pull down the metal latch tab, push filter into position and release. Make sure filters are securely engaged after installation.

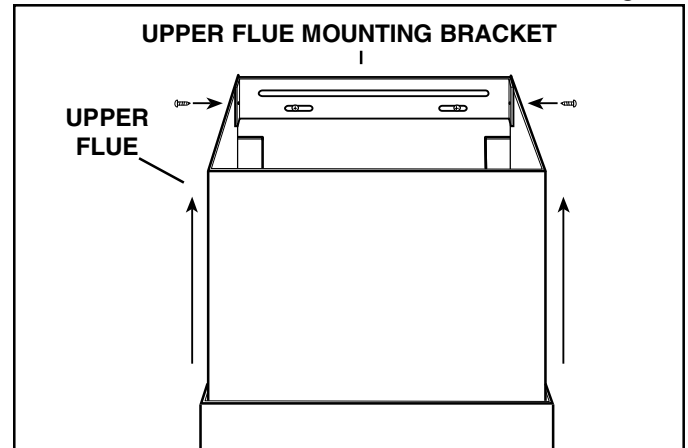


9. Measure and install 6" round steel ductwork to roof cap or wall cap and 90° elbow over the blower exhaust opening on top of hood. Use duct tape to make all joints secure and air tight.
10. Plug hood power cord into the outlet.



NOTE: 10-ft. ceilings require 10-ft. Flue Extension Model AEBWS (stainless steel) or AEBWSBLS (black stainless steel) (purchase separately). Discard the upper flue supplied with your hood and replace it with the appropriate flue extension.

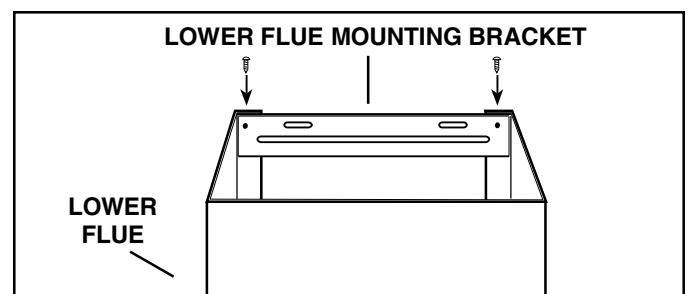
11. Remove the upper flue from inside the lower flue. Install the lower flue bracket to the lower flue using (2) flue bracket screws (no. 8 x 3/8"). Make sure that the bracket is positioned inside of the lower flue flanges - with the slots on top. Carefully replace the upper flue inside the lower flue. Remove protective plastic film covering the lower flue only.
12. Carefully place both flues into the recessed area of hood top.



13. Slide the upper flue upward until it is aligned with its upper flue mounting bracket. The bracket should be inside the flue. Secure the upper flue to the upper flue mounting bracket using (2) no. 8 x 3/8" mounting screws.
14. Remove protective plastic film covering the upper flue and the hood.

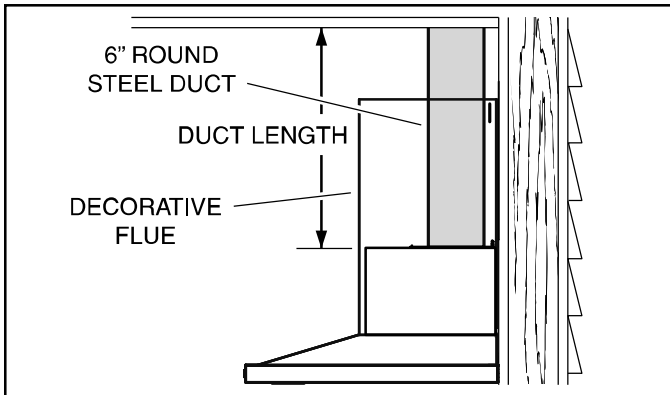
INSTALL THE HOOD (Vertically Ducted Hoods Only)

1. **DO NOT REMOVE** the protective plastic film covering the decorative flue and the hood at this time.
2. Lay the back side of the hood flat on a table. Use a piece of cardboard to avoid damaging the table or the hood.
3. Remove the grease filters by pulling down the metal latch tab and tilting filters downward to remove.
4. Carefully rotate hood upright.

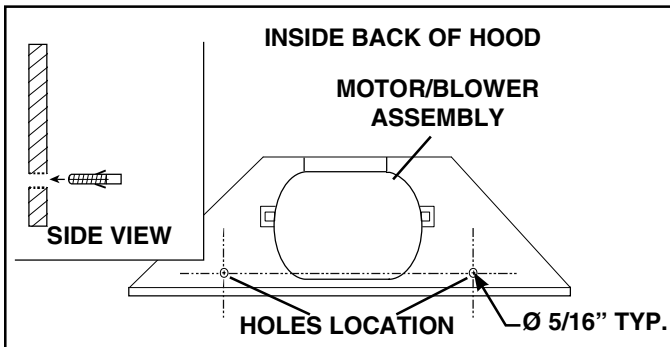


NOTE: 10-ft. ceilings require 10-ft. Flue Extension Model AEBWS (stainless steel) or AEBWSBLS (black stainless steel) (purchase separately). Discard the upper flue supplied with your hood and replace it with the appropriate flue extension.

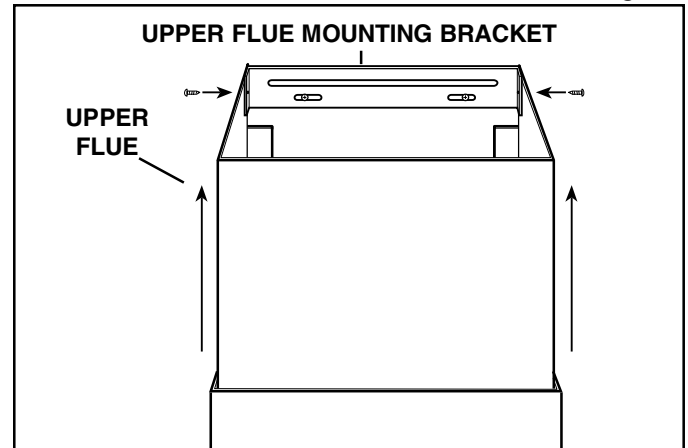
5. Remove the upper flue from inside the lower flue. Install the lower flue bracket to the lower flue using (2) flue bracket screws (no. 8 x 3/8"). Make sure that the bracket is positioned inside of the lower flue flanges - with the slots on top. Carefully replace the upper flue inside the lower flue. Remove protective plastic film covering the lower flue only.
6. Carefully place both flues into the recessed area of hood top.



7. Measure and install 6" round steel ductwork to the blower exhaust opening on top of hood. Use duct tape to make all joints secure and air tight.
8. Hold hood up close to wall mounting location and plug power cord into wall outlet.
9. Align the hood and center it above the hood mounting bracket. Make sure ductwork on hood lines up and attaches to ductwork in ceiling. Gently lower the hood until it securely engages the bracket.
10. Use duct tape to make all joints secure and air tight.



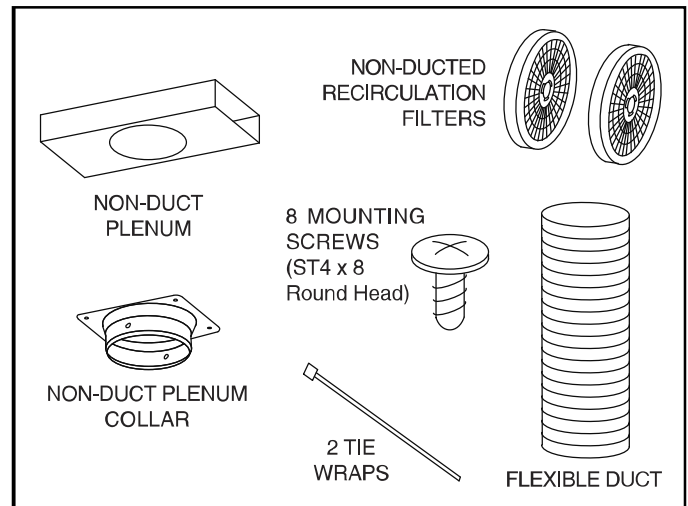
11. With the hood hanging in place, drill through both holes located in the inside lower back of hood using a 5/16" drill bit. Insert the included drywall anchors into the drilled holes (one for each hole). Install (2) washers and (2) no. 8 x 1½" mounting screws through the hood back and into the drywall anchors. Verify that the hood is centered and leveled. Tighten all screws completely.
12. Reinstall grease filters by aligning rear filter tabs with slots in the hood. Pull down the metal latch tab, push filter into position and release. Make sure filters are securely engaged after installation.



13. Slide the upper flue upward until it is aligned with its upper flue mounting bracket. The bracket should be inside the flue. Secure the upper flue to the upper flue mounting bracket using (2) no. 8 x 3/8" mounting screws.
14. Remove protective plastic film covering the upper flue and the hood.

INSTALL THE HOOD (Non-Ducted Hoods Only)

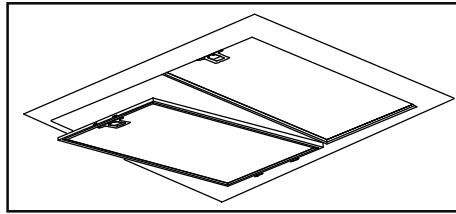
NON-DUCT KIT MODEL ARKBWS CONTENTS



NOTE: Non-ducted installations require Non-Duct Kit, Model ARKBWS (purchase separately).

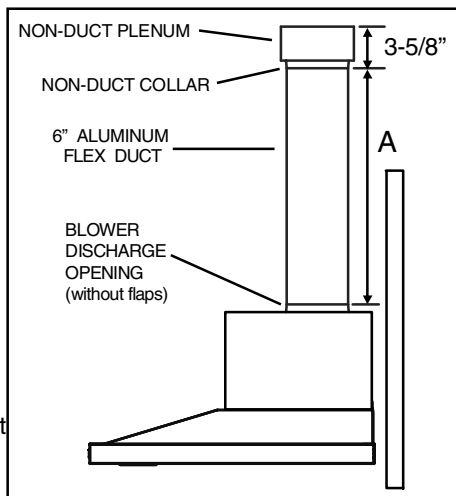
1. CAUTION: Use only flexible duct provided.
2. Do not remove the protective plastic film covering the decorative flue and the hood at this time.
3. Lay the back side of the hood flat on a table. Use a piece of cardboard to avoid damaging the table or the hood.

4. Remove the grease filters by pulling down the metal latch tab and tilting filters downward to remove.



5. Attach non-duct collar to non-duct plenum using (4) no. 8 x 3/8" pan head screws.

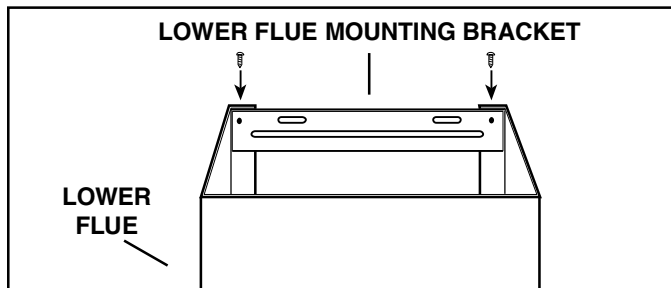
6. Measure distance "A". This will be the length of the extended flex duct.



7. Attach aluminum flexible duct to the blower discharge opening with a tie wrap.

8. Attach flexible duct to non-duct plenum collar and secure with tie wrap. Tape all joints with duct tape.

NOTE: 10-ft. ceilings require 10-ft. Flue Extension Model AEBWS (stainless steel) or AEBWSBLS (black stainless steel) (purchase separately). Discard the upper flue supplied with your hood and replace it with the appropriate flue extension.



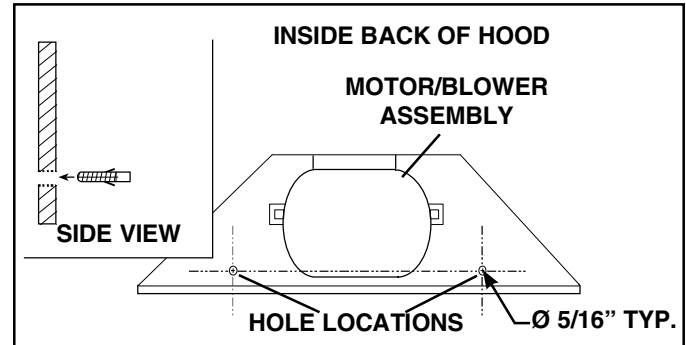
9. Remove the upper flue from inside the lower flue. Install the lower flue bracket to the lower flue using (2) flue bracket screws (no. 8 x 3/8"). Make sure that the bracket is positioned inside of the lower flue flanges - with the slots on top. Carefully replace the upper flue inside the lower flue. Remove protective plastic film covering the lower flue only.

10. Carefully place both flues into the recessed area of hood top.

11. Attach non-duct plenum with collar to upper flue using (4) no. 8 x 3/8" pan head screws.

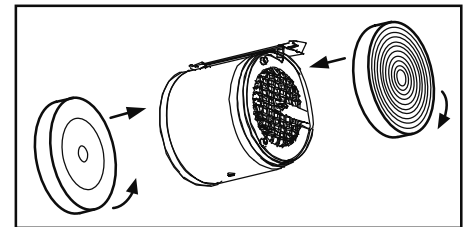
12. Hold hood up close to wall mounting location and plug power cord into wall outlet.

13. Align the hood and center it above the hood mounting bracket. Gently lower the hood until it securely engages the bracket.



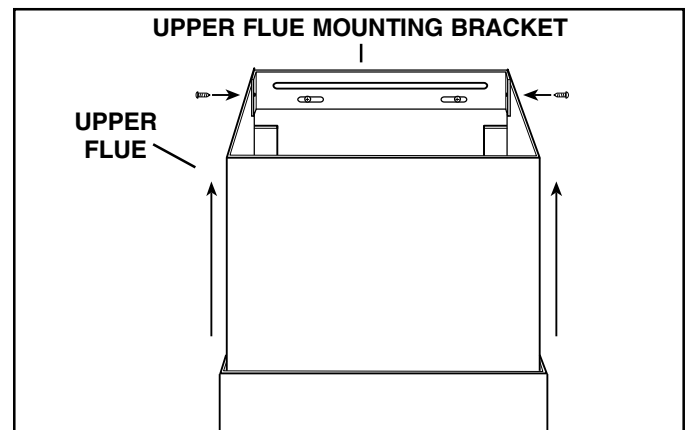
14. With the hood hanging in place, drill through both holes located in the inside lower back of hood using a 5/16" drill bit. Insert the included drywall anchors into the drilled holes (one for each hole). Install (2) washers and (2) no. 8 x 1 1/2" mounting screws through the back of the hood and into the drywall anchors. Verify that the hood is centered and leveled. Tighten all screws completely.

15. Attach (2) two non-duct recirculation filters to sides of blower by aligning key lock slot and rotating until filters lock into place.



For replacement non-duct recirculation filters - purchase S99010494 (set of 2 filters).

16. Reinstall grease filters by aligning rear filter tabs with slots in the hood. Pull down the metal latch tab, push filter into position and release. Make sure filters are securely engaged after installation.



17. Slide up the upper flue upward until it is aligned with its upper flue mounting bracket. The bracket should be inside the flue. Secure the upper flue to the upper flue mounting bracket using (2) no. 8 x 3/8" mounting screws.

18. Remove protective plastic film covering the flue and the hood.

SERVICE PARTS

BWS1 Series

KEY	PART NO.	DESCRIPTION	QTY.
1	S99010498	Decorative Upper and Lower Flues BWS1304SS	1
	S99010507	Decorative upper and Lower Flues BWS1304BLS	1
2	S99010499	Damper Flap	2
3	S99529088	Plastic Box of PCB	1
4	S99010490	Capacitor 25 µF	1
5	S99010495	Main PCB	1
6	S99010484	Control Assembly	1
7	S99529091	LED Module 5.5 W	2
8	S97018027	Aluminum Grease Filters (pair)	1
9	S99010494	Non-Duct Recirculation Filters (pair)*	1
10	S99010510	400 CFM Motor / Blower Assembly	1
11	S99010496	Mounting Brackets (set of 3)	1
	S99010501	Parts Bag (not shown)	1
	S99529096	Non-Duct Plenum Assembly (not shown)*	1
	S99526984	6" Dia. Expand. Flex. Aluminum Duct (not shown)*	1

* Included with optional Non-Duct Kit - Model ARKBWS.

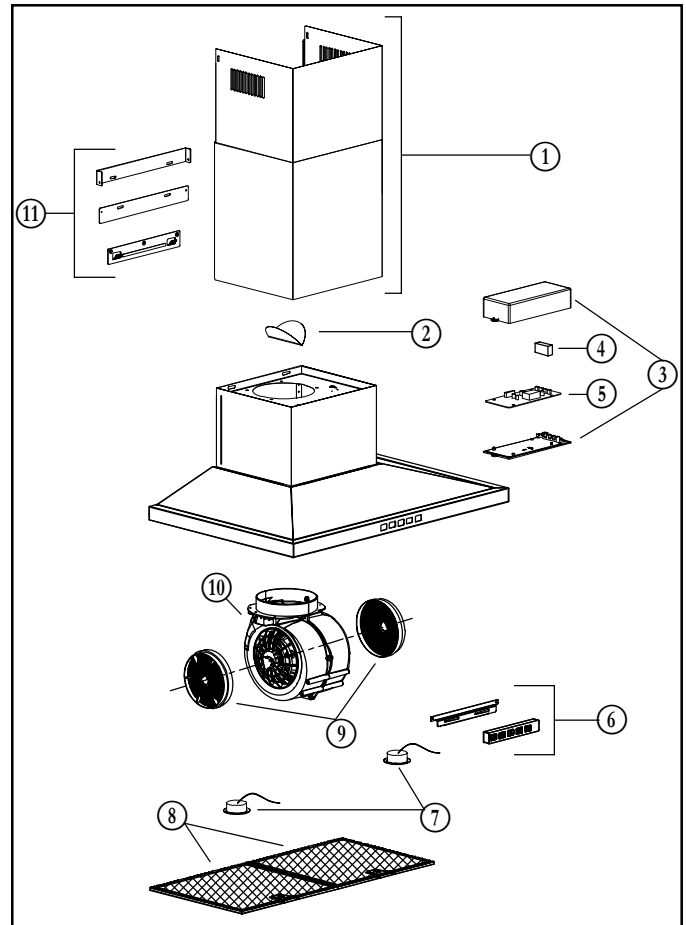
Order service parts by Part No. - not by Key No.

BWS2 Series

KEY	PART NO.	DESCRIPTION	QTY.
1	S99010498	Decorative Upper and Lower Flues BWS2304SS	1
	S99010507	Decorative Upper and Lower Flues BWS2304BLS	1
2	S99010499	Damper Flap	2
3	S99529088	Plastic Box of PCB	1
4	S99010490	Capacitor 25 µF	1
5	S99010495	Main PCB	1
6	S99010484	Control Assembly	1
7	S99529091	LED Module 5.5 W	2
8	S99010487	Hybrid Baffle Filters (pair)	1
9	S99010494	Non-Duct Recirculation Filters (pair)*	1
10	S99010510	400 CFM Motor / Blower Assembly	1
11	S99010496	Mounting Brackets (set of 3)	1
	S99010501	Parts Bag (not shown)	1
	S99529096	Non-Duct Plenum Assembly (not shown)*	1
	S99526984	6" Dia. Expand. Flex. Aluminum Duct (not shown)*	1

* Included with optional Non-Duct Kit - Model ARKBWS.

Order service parts by Part No. - not by Key No.



Replacement parts can be ordered on our website:
www.broan.com for US customers only

REPLACEMENT PARTS AND REPAIRS

In order to ensure your unit remains in good working condition, you must use Broan-NuTone LLC or Venmar Ventilation ULC genuine replacement parts only. Broan-NuTone LLC or Venmar Ventilation ULC genuine replacement parts are specially designed for each unit and are manufactured to comply with all the applicable certification standards and maintain a high standard of safety. Any third party replacement part used may cause serious damage and drastically reduce the performance level of your unit, which will result in premature failing. Broan-NuTone LLC and Venmar Ventilation ULC recommend to contact a certified service depot for all replacement parts and repairs.

WARRANTY

Limited Warranty

Warranty Period and Exclusions: Broan-NuTone LLC and Venmar Ventilation ULC (either being the “Company”) warrants to the original consumer purchaser of its product (“you”) that the product (the “Product”) will be free from material defects in the Product or its workmanship for a period of one (1) year from the date of original purchase (or such longer period as may be required by applicable law). The limited warranty period for any replacement parts provided by the Company and for any Products repaired or replaced under this limited warranty shall be the remainder of the original warranty period (or such longer period as may be required by applicable law).

This warranty does not cover fluorescent lamp starters, tubes, halogen and incandescent bulbs, fuses, filters, ducts, roof caps, wall caps and other accessories for ducting that may be purchased separately and installed with the Product. This warranty also does not cover (a) normal maintenance and service, (b) normal wear and tear, (c) any Products or parts which have been subject to misuse, abuse, abnormal usage, negligence, accident, improper or insufficient maintenance, storage or repair (other than repair by the Company), (d) damage caused by faulty installation, or installation or use contrary to recommendations or instructions, (e) any Product that has been moved from its original point of installation, (f) damage caused by environmental or natural elements, (g) damage in transit, (h) natural wear of finish, (i) Products in commercial or nonresidential use, or (j) damage caused by fire, flood or other act of God or (k) Products with altered, defaced or removed serial numbers. This warranty covers only Products sold to original consumers in the United States and Canada by the Company or its U.S. and Canadian distributors authorized by the Company.

This warranty supersedes all prior warranties and, subject to applicable law, is not transferable from the original consumer purchaser.

No Other Warranties: This Limited Warranty contains the Company’s sole obligation and your sole remedy for defective products. The foregoing warranties are exclusive and in lieu of any other warranties and conditions, express or implied. **THE COMPANY DISCLAIMS AND EXCLUDES ALL OTHER EXPRESS WARRANTIES AND CONDITIONS, AND DISCLAIMS AND EXCLUDES ALL WARRANTIES AND CONDITIONS IMPLIED BY LAW, INCLUDING WITHOUT LIMITATION THOSE OF MERCHANTABILITY AND FITNESS FOR A PARTICULAR PURPOSE.** To the extent that applicable law prohibits the exclusion of implied warranties or conditions, the duration of any applicable implied warranty or condition is limited to the period specified for the express warranty above. Some jurisdictions do not allow limitations on how long an implied warranty lasts, so the above limitation may not apply to you. Any oral or written description of the Product is for the sole purpose of identifying it and shall not be construed as an express warranty.

Whenever possible, each provision of this Limited Warranty shall be interpreted in such manner as to be effective and valid under applicable law, but if any provision is held to be prohibited or invalid, such provision shall be ineffective only to the extent of such prohibition or invalidity, without invalidating the remainder of such provision or the other remaining provisions of the Limited Warranty.

Remedy: During the applicable limited warranty period, the Company will, at its option, provide replacement parts for, or repair or replace, without charge, any Product or part thereof, to the extent the Company finds it to be covered by and in breach of this limited warranty under normal use and service. The Company will ship the repaired or replaced Product or replacement parts to you at no charge. You are responsible for all costs for removal, reinstallation and shipping, insurance or other freight charges incurred in the shipment of the Product or part to the Company. If you must send the Product or part to the Company, as instructed by the Company, you must properly pack the Product or part—the Company is not responsible for damage in transit. The Company reserves the right to utilize reconditioned, refurbished, repaired or remanufactured Products or parts in the warranty repair or replacement process. Such Products and parts will be comparable in function and performance to an original Product or part and warranted for the remainder of the original warranty period (or such longer period as may be required by applicable law).

Company reserves the right, in its sole discretion, to refund the money actually paid by you for the Product in lieu of repair or replacement. If the Product or component is no longer available, replacement may be made with a similar product of equal or greater value, at Company’s sole discretion. This is your sole and exclusive remedy for breach of this limited warranty.

Exclusion of Damages: **THE COMPANY’S OBLIGATION TO PROVIDE REPLACEMENT PARTS, OR REPAIR, REPLACE OR REFUND, AT THE COMPANY’S OPTION, SHALL BE YOUR SOLE AND EXCLUSIVE REMEDY UNDER THIS LIMITED WARRANTY AND THE COMPANY’S SOLE AND EXCLUSIVE OBLIGATION. THE COMPANY SHALL NOT BE LIABLE FOR INCIDENTAL, INDIRECT, CONSEQUENTIAL OR SPECIAL DAMAGES ARISING OUT OF OR IN CONNECTION WITH THE PRODUCT, ITS USE OR PERFORMANCE.** Incidental damages include but are not limited to such damages as loss of time and loss of use. Consequential damages include but are not limited to the cost of repairing or replacing other property which was damaged if the Product does not work properly.

THE COMPANY SHALL NOT BE LIABLE TO YOU, OR TO ANYONE CLAIMING UNDER YOU, FOR ANY OTHER OBLIGATIONS OR LIABILITIES, INCLUDING, BUT NOT LIMITED TO, OBLIGATIONS OR LIABILITIES ARISING OUT OF BREACH OF CONTRACT OR WARRANTY, NEGLIGENCE OR OTHER TORT OR ANY THEORY OF STRICT LIABILITY, WITH RESPECT TO THE PRODUCT OR THE COMPANY’S ACTS OR OMISSIONS OR OTHERWISE.

Some jurisdictions do not allow the exclusion or limitation of incidental or consequential damages, so the above limitation or exclusion may not apply to you. This warranty gives you specific legal rights, and you may also have other rights, which vary from jurisdiction to jurisdiction. The disclaimers, exclusions, and limitations of liability under this warranty will not apply to the extent prohibited by applicable law.

This warranty covers only replacement or repair of defective Products or parts thereof at the Company’s main facility and does not include the cost of field service travel and living expenses.

Any assistance the Company provides to or procures for you outside the terms, limitations or exclusions of this limited warrant will not constitute a waiver of such terms, limitations or exclusions, nor will such assistance extend or revive the warranty.

The Company will not reimburse you for any expenses incurred by you in repairing or replacing any defective Product, except for those incurred with the Company’s prior written permission.

How to Obtain Warranty Service: To qualify for warranty service, you must (a) notify the Company at the address or telephone number stated below within seven (7) days of discovering the covered defect, (b) give the model number and part identification and (c) describe the nature of any defect in the Product or part. At the time of requesting warranty service, you must present evidence of the original purchase date. If you cannot provide a copy of the original written limited warranty, then the terms of the Company’s most current written limited warranty for your particular product will control. The most current limited written warranties for the Company’s products can be found at www.broan-nutone.com and www.broan.ca.

Broan-NuTone LLC 926 West State Street, Hartford, WI 53027 www.broan-nutone.com 800-637-1453

Venmar Ventilation ULC, 550 Lemire Blvd., Drummondville, Québec, Canada J2C 7W9 www.broan-nutone.ca 1-877-896-1119