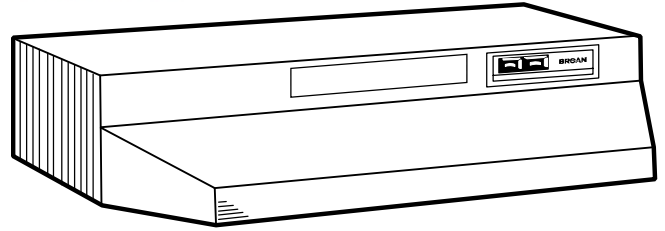


BROAN®

BUEZ3 SERIES RANGE HOOD



READ AND SAVE THESE INSTRUCTIONS

! INTENDED FOR DOMESTIC COOKING ONLY !

WARNING

TO REDUCE THE RISK OF FIRE, ELECTRIC SHOCK, OR INJURY TO PERSONS, OBSERVE THE FOLLOWING:

1. Use this unit only in the manner intended by the manufacturer. If you have questions, contact the manufacturer at the address or telephone number listed in the warranty.
2. Before servicing or cleaning unit, switch power off at service panel and lock service panel to prevent power from being switched on accidentally. When the service disconnecting means cannot be locked, securely fasten a prominent warning device, such as a tag, to the service panel.
3. Installation work and electrical wiring must be done by a qualified person(s) in accordance with all applicable codes and standards.
4. Sufficient air is needed for proper combustion and exhausting of gases through the flue (chimney) of fuel burning equipment to prevent backdrafting. Follow the heating equipment manufacturer's guideline and safety standards such as those published by the National Fire Protection Association (NFPA), and the American Society for Heating, Refrigeration and Air Conditioning Engineers (ASHRAE), and the local code authorities.
5. When cutting or drilling into wall or ceiling, do not damage electrical wiring and other hidden utilities.
6. Ducted fans must always be vented to the outdoors.
7. Do not use this unit with any solid-state speed control device.
8. To reduce the risk of fire, use only metal ductwork.
9. Use with approved cord-connection kit only.
10. This unit must be grounded.

TO REDUCE THE RISK OF A RANGE TOP GREASE FIRE:

1. Never leave surface units unattended at high settings. Boilovers cause smoking and greasy spillovers that may ignite. Heat oils slowly on low or medium settings.
2. Always turn hood ON when cooking at high heat or when cooking flaming foods.
3. Clean ventilating fans frequently. Grease should not be allowed to accumulate on fan or filter.
4. Use proper pan size. Always use cookware appropriate for the size of the surface element.

TO REDUCE THE RISK OF INJURY TO PERSONS IN THE EVENT OF A RANGE TOP GREASE FIRE, OBSERVE THE FOLLOWING:*

1. SMOTHER FLAMES with a close-fitting lid, cookie sheet, or metal tray, then turn off the burner. BE CAREFUL TO PREVENT BURNS. If the flames do not go out immediately, EVACUATE AND CALL THE FIRE DEPARTMENT.
2. NEVER PICK UP A FLAMING PAN - You may be burned.
3. DO NOT USE WATER, including wet dishcloths or towels - a violent steam explosion will result.
4. Use an extinguisher ONLY if:
 - A. You know you have a Class ABC extinguisher and you already know how to operate it.
 - B. The fire is small and contained in the area where it started.
 - C. The fire department is being called.
 - D. You can fight the fire with your back to an exit.

*Based on "Kitchen Firesafety Tips" published by NFPA.

CAUTION

1. For indoor use only.
2. For general ventilating use only. Do not use to exhaust hazardous or explosive materials and vapors.
3. To avoid motor bearing damage and noisy and/or unbalanced impellers, keep drywall spray, construction dust, etc. off power unit.
4. For best capture of cooking impurities, your range hood should be mounted 20-25" above the cooking surface.
5. Please read specification label on product for further information and requirements.

IMPORTANT: OBSERVE ALL GOVERNING CODES AND ORDINANCES

Your range hood has been designed to filter out smoke, odors, and grease which rise from the cooking surface. Before you begin the installation be sure that all parts and accessories are removed from carton. For best results and ease in the installation of this range hood, read the instructions sheet to become familiar with the step-by-step installation.

TOOLS AND MATERIALS REQUIRED

- Drill, electric or ratchet drive
- 1/8" drill bit for drilling pilot holes
- 7/64" drill bit to drill holes for EZ1 brackets mounting screws
- 1-1/4" wood bit for drilling electrical wiring access hole
- One common head screwdriver for securing hood mounting screws to the cabinet and hood sheet metal parts
- Pliers for opening knockouts
- Pencil, rule and level for marking cabinet locations
- Saber saw or keyhole saw for cutting the wall or cabinet openings
- Metal snips, duct tape, duct (with elbows and transition, if necessary), roof cement or caulk, and roof or wall cap, as required
- Electrical wiring and supplies of type to comply with local codes

The following materials are required only for installation on recessed bottom kitchen cabinets:

- Two 1" x 2" x 12" (approximate length) wood strips (purchase locally)
- Four 1-1/4" long flat head wood screws (purchase locally)

INSTALLER:

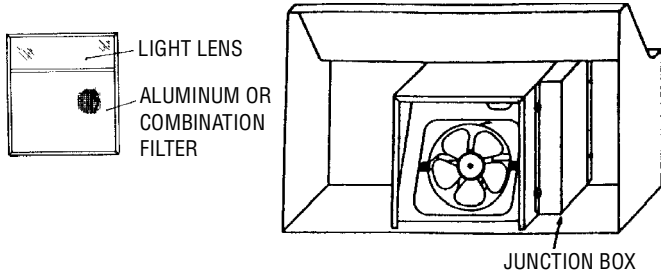
LEAVE THIS MANUAL WITH THE HOMEOWNER.

HOMEOWNER:

USE AND CARE INSTRUCTIONS ON PAGE 5.

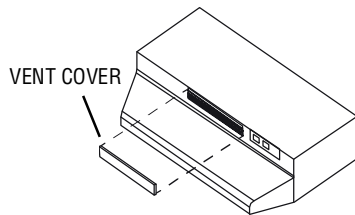
PREPARING THE HOOD

- Unpack hood and check contents. You should receive:
 - 1 – Filter with built-in light lens
 - 1 – 3-1/4" x 10" damper/duct connector
 - 1 – Installation parts bag, located inside junction box

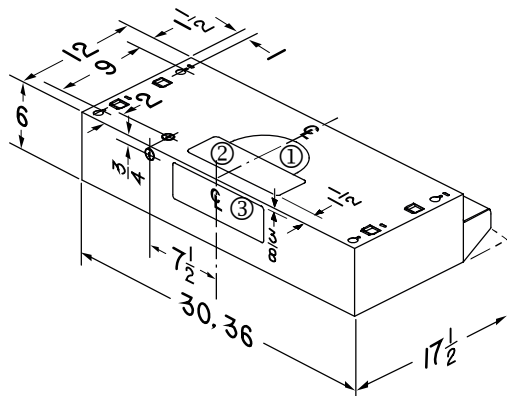


- Remove junction box cover, EZ1 brackets and parts bag from inside junction box.
- Remove top or rear electrical knockout. Install an appropriate strain relief.
- Select one of the three types of venting available:

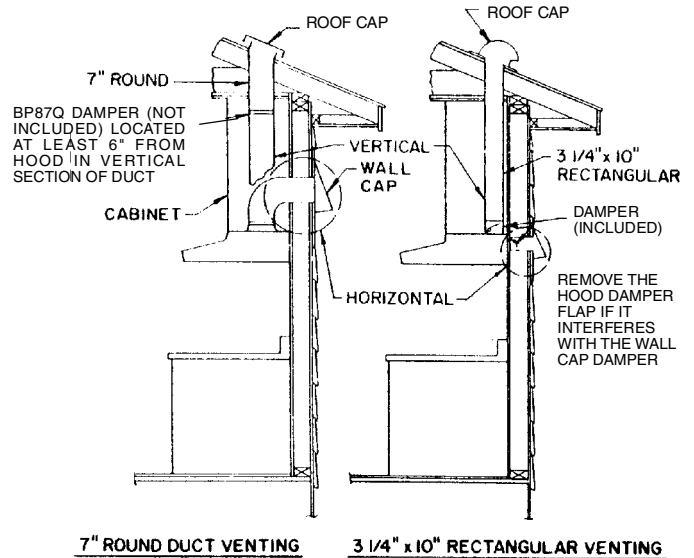
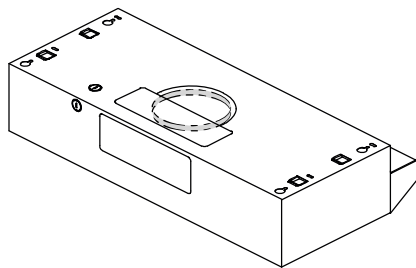
Non-Vented — Remove vent cover from hood front. Replace the aluminum filter with a non-ducted filter (BP57 or R610050 - purchase separately). Go to "Preparing the Installation Location".



Rectangular Vented — 3-1/4" x 10" vertical or horizontal. Remove knockout ② for vertical or knockout ③ for horizontal venting. Install damper/duct connector over opening. Go to "Planning Ductwork Installation".



Round Vented — 7" vertical. Remove knockouts ① and ② exposing duct collar. Go to "Planning Ductwork Installation".



minimum number of elbows. There are several choices.

Ducting directly through the wall (for range hoods mounted on an exterior wall). Shown are two ways to duct through an outside wall. If a wall cap is used directly off the back of the hood, special care must be taken to make sure that the damper in the damper/duct connector on the hood and damper in the wall cap do not interfere with each other when the hood is operating. This could result in either inadequate air delivery or back drafts. If this condition does exist, remove the hood damper flap. Sometimes when using a wall cap, it is easier to duct vertically and then use an elbow.

Ducting straight up through roof using 3-1/4" x 10" or 7" round duct. For single story installations.

Ducting between ceiling joists for multi-story installations or through soffits above cabinets where soffit connects to outside walls.

INSTALLING THE DUCTWORK

THESE INSTRUCTIONS ARE FOR VENTED HOODS ONLY. FOR NON-VENTED HOODS, SKIP THIS SECTION AND GO TO "INSTALLING THE RANGE HOOD".

START AT THE EXTERIOR AND RUN DUCTWORK BACK TO THE RANGE HOOD.

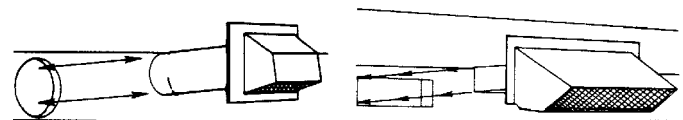
FOR BEST PERFORMANCE OF YOUR RANGE HOOD, USE THE SHORTEST POSSIBLE DUCT RUN AND A MINIMUM NUMBER OF ELBOWS.

NEVER VENT A RANGE HOOD INTO AN ATTIC SPACE BECAUSE A BUILDUP OF GREASE WILL BECOME A FIRE HAZARD.

USE ONLY METAL DUCTWORK (DO NOT USE PLASTIC DUCT). ASSEMBLE SECURELY SO THAT IN CASE OF A GREASE FIRE ON THE RANGE, THE FIRE WILL BE CONTAINED INSIDE METAL DUCTWORK.

IT IS A GOOD PRACTICE TO TAPE ALL DUCT CONNECTIONS, MAKING THEM BOTH SECURE AND AIR TIGHT.

- Follow appropriate directions below for type of ductwork you are installing.

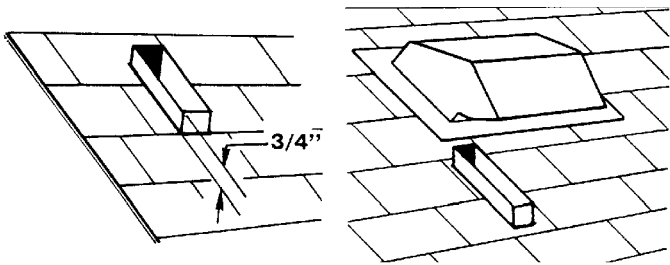


Wall Cap Discharge: Use saber saw or keyhole saw to cut hole slightly larger than duct size used so that duct will line up easily with damper/duct connector on hood. Install casing strips if cap will be installed on siding. Attach required amount of duct to wall cap and run duct back to hood. Fasten cap to wall and caulk well. Make sure that enough duct runs into the room so that the duct will overlap the damper/duct connector when the hood is installed.

PLANNING DUCTWORK INSTALLATION

This section is for vented hoods only. For non-vented hoods, skip this section and go to "Preparing the Installation Location".

Begin planning ductwork by deciding where duct will run between hood and outside. For best performance, use shortest possible duct run and a



Roof Cap Discharge: Cut a hole in roof slightly larger than duct size being used. Trim shingles around hole so that they will fit snugly around hood of cap when cap is installed. Assemble the ductwork and tape all joints. Run ductwork down to hood location. Make sure that enough duct runs into the room so that the duct will overlap damper/duct connector when hood is put into place. Leave 3/4" of duct projecting above roof surface on high side.

Trim duct parallel to roof pitch and seal all around duct with roof cement. Carefully trim shingles and slide back of roof sheet under shingles. Nail roof sheet to roof under shingles at top two corners and two sides. Nail sheet directly to roof in four places at bottom.

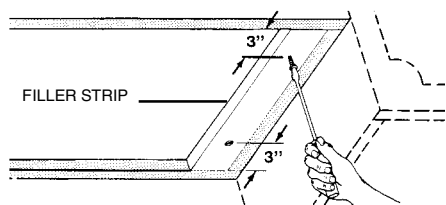
Using roof cement, seal all nail heads and shingles which were cut or lifted. Do not seal bottom edge of roof sheet.

PREPARING THE INSTALLATION LOCATION

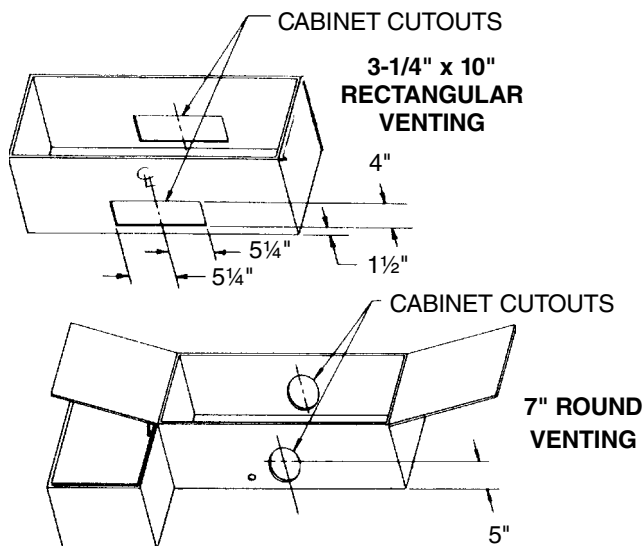
NOTE: MOUNT HOOD SO THAT BOTTOM OF HOOD IS 20" TO 25" ABOVE COOKING SURFACE. TOP FRONT OF HOOD SHOULD BE FLUSH WITH FRONT OF CABINET FRAME.

IF DISTANCE BETWEEN WALL AND FRONT OF CABINET FRAME IS MORE THAN 12", THERE WILL BE A SPACE BETWEEN BACK OF HOOD AND WALL. THIS IS NORMAL.

OMIT STEP 1 IF HOOD WILL BE INSTALLED UNDER CABINETS WITH FLUSH BOTTOM OR INSTALLED USING THE EZ1 BRACKETS.



1. For cabinets with recessed bottoms only, if not using EZ1 brackets: Install wood filler strips on each side of recessed area under cabinet. Use two 1" x 2" strips cut to length (use thicker strips if necessary). Fasten strips with wood screws about 3" in from each end.
2. Measure and mark the following:
 - a.) Electrical wiring opening in wall or cabinet.
 - b.) Duct opening in wall or cabinet (vented hoods **only**).



WARNING: WHEN CUTTING OR DRILLING INTO WALL OR CABINET, BE CAREFUL NOT TO CUT EXISTING ELECTRICAL WIRING.

3. Drill 1-1/4" electrical wiring opening in wall or cabinet bottom.
4. Drill four pilot holes in corners of marked duct opening and cut opening with saber or keyhole saw (vented hoods **only**).

INSTALLING THE RANGE HOOD

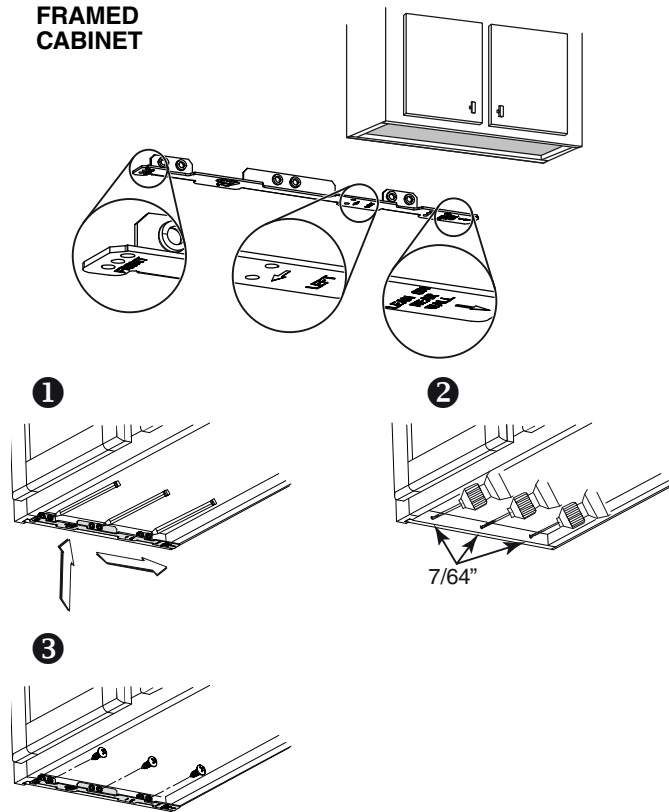
This manual covers 2 kinds of installation: the standard (without EZ1 brackets) and the EZ1 one-person installation system. For the standard installation, go to page 4.

EZ-1 ONE-PERSON INSTALLATION SYSTEM

If the cabinet is wider than the range hood width, please use the standard installation method.

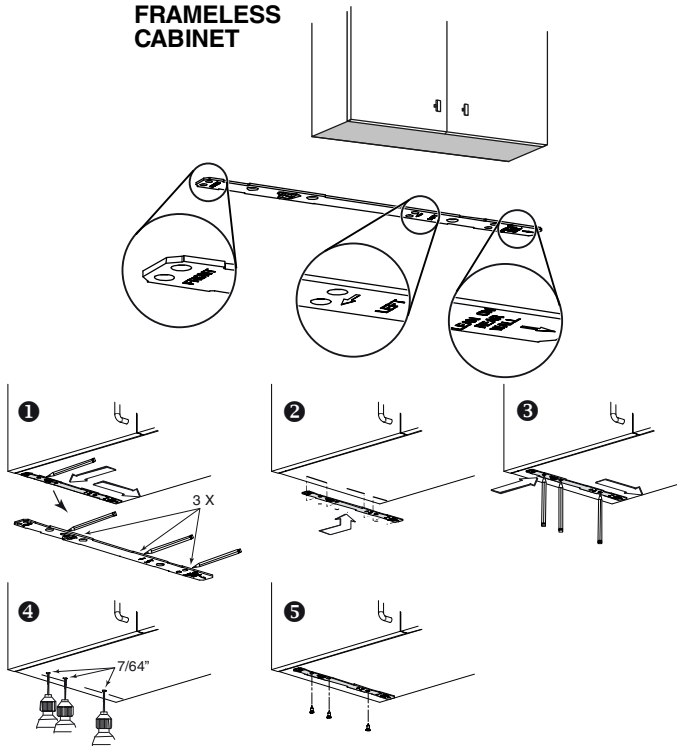
Using pliers, break EZ1 brackets apart. Use the appropriate brackets according to the kitchen cabinet type. Refer to the marking on the brackets to determine the correct installation side and orientation.

FRAMED CABINET



- 1 Mate the corresponding bracket to the cabinet side frame, while placing rear end of bracket against the wall. Use a pencil to mark 3 holes (there are 6 holes but only 3 are necessary).
- 2 Remove the bracket. Using a 7/64" drill bit, drill 3 holes where marked.
- 3 Assemble the bracket to the side frame using a Phillips screwdriver and 3 provided round head no. 8 x 5/8" wood screws. Repeat for the other side frame.

FRAMELESS CABINET

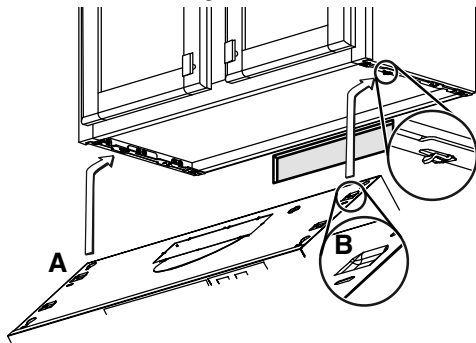


- ❶ Align the corresponding bracket to the cabinet side, while placing rear end of bracket against the wall. Draw a line on the outer edge of the bracket (as shown).
- ❷ Slide the bracket towards the center of cabinet and align the outside edge of the bracket with the marked line, keeping the rear end edge leaning on the wall.
- ❸ Use a pencil to mark 3 holes.
- ❹ Remove the bracket. Using a 7/64" drill bit, drill 3 holes where marked.
- ❺ Assemble the bracket to the cabinet bottom using a Phillips screwdriver and 3 provided countersunk wood screws. Repeat for the other cabinet side.

The following procedure applies to both framed or frameless cabinet installations.

HORIZONTAL EXHAUST INSTALLATION ONLY

1. Pull house power cable out.
2. Temporarily hang the hood on the brackets using its 2 recessed REAR HOLES (A and B). While holding the hood, run the house power cable into the hood through the strain relief previously installed.
3. Unhook the rear holes from the brackets and hang the hood using its 2 recessed FRONT HOLES. While holding the hood, attach the power cable to the hood using the strain relief.

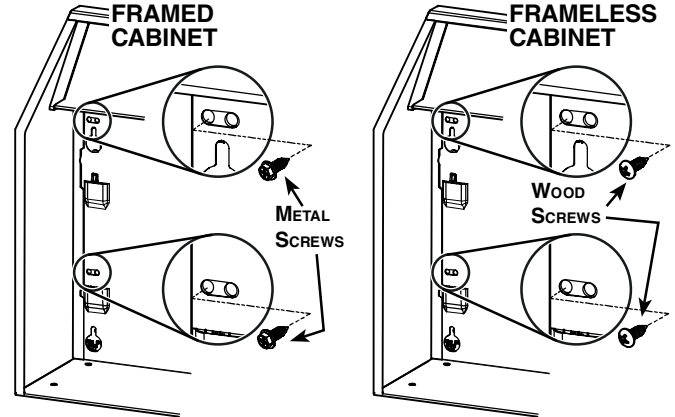


VERTICAL EXHAUST INSTALLATION ONLY

1. Pull house power cable out.
2. Hang the hood on the brackets using the 2 recessed FRONT HOLES. While holding the hood, run the house power cable into the hood through the strain relief previously installed. Attach power cable to the hood.

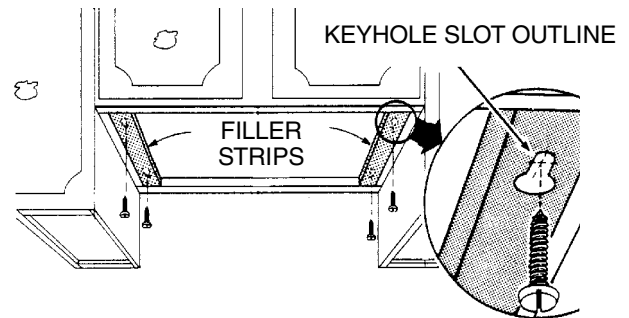
For framed cabinet, secure the hood to the EZ1 brackets using 4 no. 8-18 x 1/2" metal screws (included). Insert 2 screws per side, in the slots.

For frameless cabinet, secure the hood to the cabinet using 4 no. 8 x 5/8" round head wood screws (included). Insert 2 screws per side, in the slots.



STANDARD INSTALLATION

1. Hold hood up against cabinet bottom and trace keyhole slots onto cabinet bottom or filler strips.



2. Screw the four supplied screws for mounting the hood into the exact center of the narrow end of the keyhole slots marked underneath the cabinet. Allow 3/8" of the screws to project, so the hood can be fitted into place.
3. Run electric wiring through hole drilled in wall or cabinet. Split wiring for 6" and run the house power cable into the hood through the strain relief previously installed. Attach power cable to the hood.
4. Position hood so that:
 - a.) Large part of keyhole slots fit over hood mounting screws.
 - b.) Damper/duct connector slides into ductwork (3-1/4" x 10" vented hoods only)
5. Adjust hood so that hood front is flush with cabinet frame.
6. Tighten hood mounting screws firmly.

CONNECT THE WIRING

WARNING: TURN OFF THE PROPER CIRCUIT AT THE SERVICE ENTRANCE BEFORE WIRING THIS RANGE HOOD. ALL ELECTRICAL CONNECTIONS MUST BE MADE IN ACCORDANCE WITH LOCAL CODES, ORDINANCES, OR NATIONAL ELECTRICAL CODE. IF YOU ARE UNFAMILIAR WITH METHODS OF INSTALLING ELECTRICAL WIRING, SECURE THE SERVICES OF A QUALIFIED ELECTRICIAN.

1. Make electrical connection using wire nuts to connect WHITE wire to WHITE, BLACK wire to BLACK, and GREEN or bare wire to GREEN ground screw provided.
2. Replace wiring box cover and screw, taking care not to pinch wires.

FINALIZE THE INSTALLATION

1. Install light bulb (75 watts maximum).
2. If the hood is vented, remove charcoal filter pad from filter. Install filter.
3. Turn on power and check operation of fan and light. Make sure that damper operates freely (vented hood only).

USE AND CARE

ALUMINUM FILTER

For greatest efficiency, the permanent-type aluminum filter should be removed and cleaned periodically. To clean, the filter should be soaked in hot water and detergent and thoroughly rinsed. The aluminum filter can be cleaned in a dishwasher.

COMBINATION FILTER

This filter should be inspected periodically and when it becomes saturated, it should be replaced. There are no effective means of reactivating this filter.

LIGHTS

Do not use bulb larger than 75 watts in light socket.

CARE OF EXTERIOR SURFACES

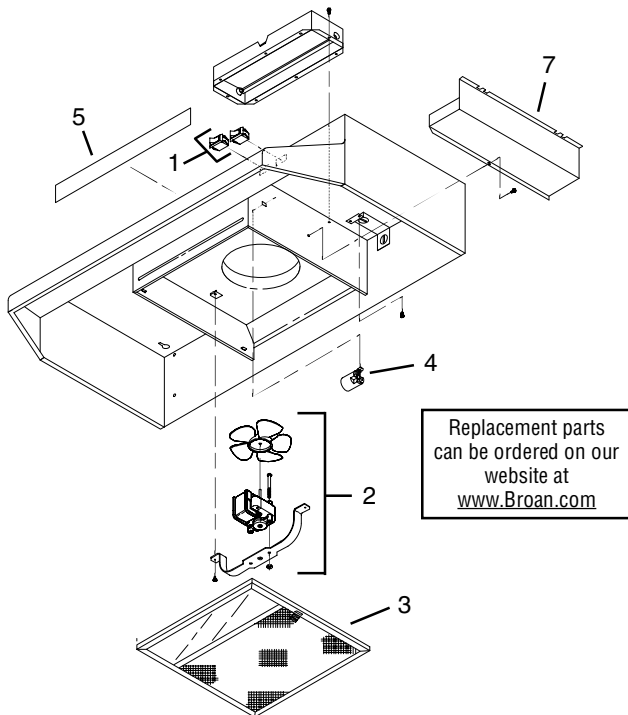
Clean your hood with a mild detergent suitable for painted surfaces. DO NOT USE ABRASIVE CLOTH, STEEL WOOL PADS OR SCOURING POWDERS.

WARNING: ALWAYS DISCONNECT ELECTRIC POWER BEFORE SERVICING RANGE HOOD.

CARE OF FAN MOTOR

Fan motor has lifetime sealed bearings that never need oiling under normal usage. A few drops on each bearing after three years of heavy usage will prolong the motor life. Clean motor with a damp cloth and grease-cutting detergent when a heavy coating of grease has accumulated.

REPLACEMENT PARTS



HOW TO AVOID A COMMON RANGE-TOP GREASE FIRE

Your range hood provides a protective barrier between the cooking surface and the cabinets.

Keep fan, filters, and grease-laden surfaces CLEAN according to the instructions.

Always turn hood ON when cooking at high heat to keep the cooking area and the hood cooler.

Use high heat settings only when necessary.

Never leave cooking surface unattended. Boil-over causes smoking and greasy spillovers that may ignite.

Always use adequate-sized utensils.

If preparing flaming foods, such as Cherries Jubilee, always turn hood ON to HIGH to prevent a high heat situation which can cause damage or fire.

HOW TO EXTINGUISH A COMMON RANGE-TOP GREASE FIRE

Never pick up a flaming pan. If dropped flames can spread quickly.

DO NOT USE WATER! A violent steam explosion may result. Wet dishcloths or towels are also dangerous.

Smother flames with a close-fitting lid, cookie sheet or metal tray.

Flaming grease can also be extinguished with baking soda or a multi-purpose dry chemical extinguisher.

Turn off surface units – if you can do so without getting burned.

Key No.	Part No.	Description
1	97016971	Fan & Light switches – White
	97016970	Fan & Light switches – Black
2	R730090	Motor/Blade Assembly
3	R610045	Filter - Aluminum (use with ducted hoods only)
*	R610050	Filter – Ductless
*	R610051	Filter Pads – Ductless
4	R566088	Lampholder
5	99091020	Vent Cover - White
	99091022	Vent Cover - Black
6	R6689601	Wiring Cover - White
	R6689604	Wiring Cover - Black
*	S97021374	EZ1 Brackets

* Not shown. Purchase separately.

WARRANTY

Limited Warranty

Warranty Period and Exclusions: Broan-NuTone LLC (the "Company") warrants to the original consumer purchaser of its product ("you") that the product (the "Product") will be free from material defects in the Product or its workmanship for a period of one (1) year from the date of original purchase (or such longer period as may be required by applicable law).

The limited warranty period for any replacement parts provided by the Company and for any Products repaired or replaced under this limited warranty shall be the remainder of the original warranty period (or such longer period as may be required by applicable law).

This warranty does not cover fluorescent lamp starters, tubes, halogen and incandescent bulbs, fuses, filters, ducts, roof caps, wall caps and other accessories for ducting that may be purchased separately and installed with the Product. This warranty also does not cover (a) normal maintenance and service, (b) normal wear and tear, (c) any Products or parts which have been subject to misuse, abuse, abnormal usage, negligence, accident, improper or insufficient maintenance, storage or repair (other than repair by the Company), (d) damage caused by faulty installation, or installation or use contrary to recommendations or instructions, (e) any Product that has been moved from its original point of installation, (f) damage caused by environmental or natural elements, (g) damage in transit, (h) natural wear of finish, (i) Products in commercial or nonresidential use, or (j) damage caused by fire, flood or other act of God or (k) Products with altered, defaced or removed serial numbers. This warranty covers only Products sold to original consumers in the United States by the Company or its U.S. distributors authorized by the Company.

This warranty supersedes all prior warranties and, subject to applicable law, is not transferable from the original consumer purchaser.

No Other Warranties: This Limited Warranty contains the Company's sole obligation and your sole remedy for defective products. The foregoing warranties are exclusive and in lieu of any other warranties and conditions, express or implied. **THE COMPANY DISCLAIMS AND EXCLUDES ALL OTHER EXPRESS WARRANTIES AND CONDITIONS, AND DISCLAIMS AND EXCLUDES ALL WARRANTIES AND CONDITIONS IMPLIED BY LAW, INCLUDING WITHOUT LIMITATION THOSE OF MERCHANTABILITY AND FITNESS FOR A PARTICULAR PURPOSE.** To the extent that applicable law prohibits the exclusion of implied warranties or conditions, the duration of any applicable implied warranty or condition is limited to the period specified for the express warranty above. Some jurisdictions do not allow limitations on how long an implied warranty lasts, so the above limitation may not apply to you. Any oral or written description of the Product is for the sole purpose of identifying it and shall not be construed as an express warranty.

Whenever possible, each provision of this Limited Warranty shall be interpreted in such manner as to be effective and valid under applicable law, but if any provision is held to be prohibited or invalid, such provision shall be ineffective only to the extent of such prohibition or invalidity, without invalidating the remainder of such provision or the other remaining provisions of the Limited Warranty.

Remedy: During the applicable limited warranty period, the Company will, at its option, provide replacement parts for, or repair or replace, without charge, any Product or part thereof, to the extent the Company finds it to be covered by and in breach of this limited warranty under normal use and service. The Company will ship the repaired or replaced Product or replacement parts to you at no charge. You are responsible for all costs for removal, reinstallation and shipping, insurance or other freight charges incurred in the shipment of the Product or part to the Company. If you must send the Product or part to the Company, as instructed by the Company, you must properly pack the Product or part—the Company is not responsible for damage in transit. The Company reserves the right to utilize reconditioned, refurbished, repaired or remanufactured Products or parts in the warranty repair or replacement process. Such Products and parts will be comparable in function and performance to an original Product or part and warranted for the remainder of the original warranty period (or such longer period as may be required by applicable law).

Company reserves the right, in its sole discretion, to refund the money actually paid by you for the Product in lieu of repair or replacement. If the Product or component is no longer available, replacement may be made with a similar product of equal or greater value, at Company's sole discretion. This is your sole and exclusive remedy for breach of this limited warranty.

Exclusion of Damages: **THE COMPANY'S OBLIGATION TO PROVIDE REPLACEMENT PARTS, OR REPAIR, REPLACE OR REFUND, AT THE COMPANY'S OPTION, SHALL BE YOUR SOLE AND EXCLUSIVE REMEDY UNDER THIS LIMITED WARRANTY AND THE COMPANY'S SOLE AND EXCLUSIVE OBLIGATION. THE COMPANY SHALL NOT BE LIABLE FOR INCIDENTAL, INDIRECT, CONSEQUENTIAL OR SPECIAL DAMAGES ARISING OUT OF OR IN CONNECTION WITH THE PRODUCT, ITS USE OR PERFORMANCE.** Incidental damages include but are not limited to such damages as loss of time and loss of use. Consequential damages include but are not limited to the cost of repairing or replacing other property which was damaged if the Product does not work properly.

THE COMPANY SHALL NOT BE LIABLE TO YOU, OR TO ANYONE CLAIMING UNDER YOU, FOR ANY OTHER OBLIGATIONS OR LIABILITIES, INCLUDING, BUT NOT LIMITED TO, OBLIGATIONS OR LIABILITIES ARISING OUT OF BREACH OF CONTRACT OR WARRANTY, NEGLIGENCE OR OTHER TORT OR ANY THEORY OF STRICT LIABILITY, WITH RESPECT TO THE PRODUCT OR THE COMPANY'S ACTS OR OMISSIONS OR OTHERWISE.

Some jurisdictions do not allow the exclusion or limitation of incidental or consequential damages, so the above limitation or exclusion may not apply to you. This warranty gives you specific legal rights, and you may also have other rights, which vary from jurisdiction to jurisdiction. The disclaimers, exclusions, and limitations of liability under this warranty will not apply to the extent prohibited by applicable law.

This warranty covers only replacement or repair of defective Products or parts thereof at the Company's main facility and does not include the cost of field service travel and living expenses.

Any assistance the Company provides to or procures for you outside the terms, limitations or exclusions of this limited warranty will not constitute a waiver of such terms, limitations or exclusions, nor will such assistance extend or revive the warranty.

The Company will not reimburse you for any expenses incurred by you in repairing or replacing any defective Product, except for those incurred with the Company's prior written permission.

How to Obtain Warranty Service: To qualify for warranty service, you must (a) notify the Company at the address or telephone number stated below within seven (7) days of discovering the covered defect, (b) give the model number and part identification and (c) describe the nature of any defect in the Product or part. At the time of requesting warranty service, you must present evidence of the original purchase date. If you cannot provide a copy of the original written limited warranty, then the terms of the Company's most current written limited warranty for your particular product will control.