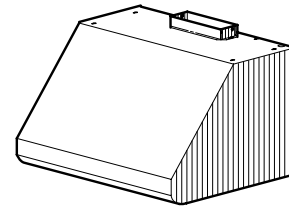


### E60 SERIES PRO-STYLE RANGE HOOD



*For domestic cooking only.*

Styling is fresh and modern, yet designed to easily complement popular pro-style, high performance cooking products.

A complete installation requires several optional components. Refer to page 2 when planning your installation

#### FEATURES

##### HOOD:

- Widths - 30" to 48" in 6" increments
- Stainless steel, 22 gauge, type 430, #4 brush
- easily accessible, dishwasher safe
- 2-level cooktop lighting (Uses three, 50W, PAR 20 halogen lamps - purchase separately)
- speed memory
- Exclusive, Broan Heat Sentry™ turns blower ON to HIGH speed when excess heat is detected
- 3¼" x 10" ducting - single blower (600 cfm)
- 4½" x 18½" ducting - dual blower (1200 cfm)

##### NON-DUCTED RECIRCULATING KIT:

- ANKE60 Series (Optional)
- Stainless steel, 22 gauge, type 430, #4 brush
  - Available for hood widths up to 48"
  - Charcoal filters included
  - Replacement charcoal filters:
    - Service Part # SV08344 - round filter retail pack

##### BACKSPLASH:

- RMP Series (Optional)
- Widths - 30" to 48" in 6" increments
  - Stainless steel, 22 gauge, type 430, #4 brush - protects back wall and wipes clean easily
  - Two, removable, dual-position condiment storage shelves

##### SOFFIT CHIMNEY:

- AEE Series (Optional)
- Widths - 30" to 48" in 6" increments
  - Stainless steel, 22 gauge, type 430, #4 brush

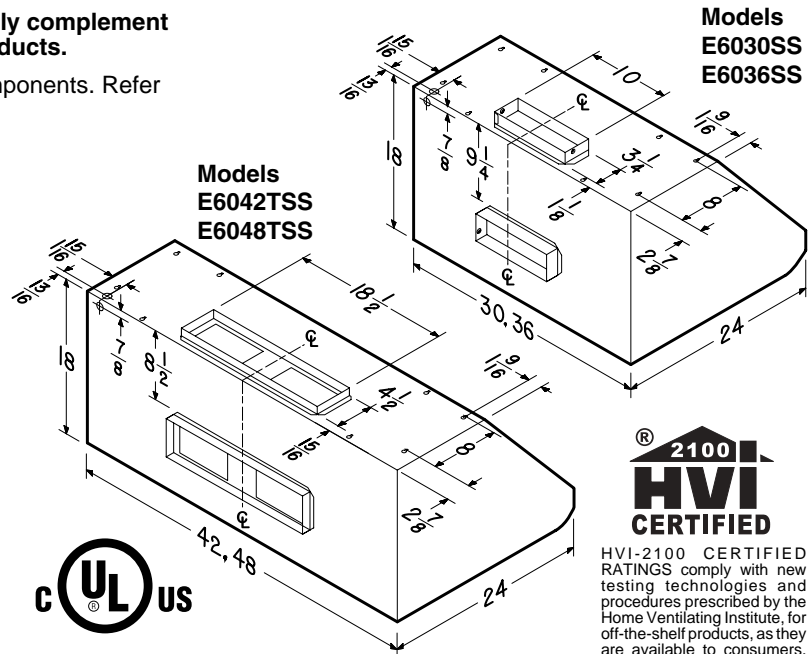
##### SPECIFICATION:

###### Single Blower

- 120 VAC, 60 Hz, 5.5 Amps
- 600 cfm, sound level no greater than 13.5 sones (high speed, vert. & horiz. discharge)
- 150 cfm, 1.5 sones (working speed, vert. & horiz. discharge)

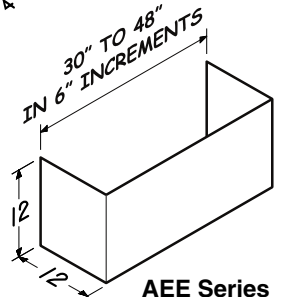
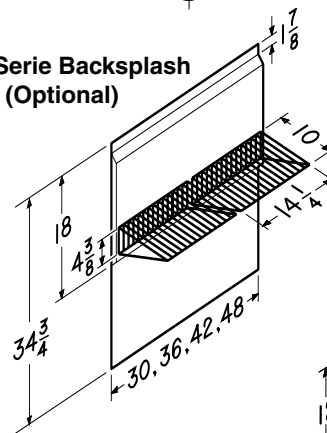
###### Dual Blower

- 120 VAC, 60 Hz, 9.0 Amps
- 1200 cfm, sound level no greater than 14.5 sones (high speed, vert. & horiz. discharge)
- 350 cfm, 2.0 sones (working speed, vert. & horiz. discharge)



HVI-2100 CERTIFIED RATINGS comply with new testing technologies and procedures prescribed by the Home Ventilating Institute, for off-the-shelf products, as they are available to consumers. Product performance is rated at 0.1 in. static pressure, based on tests conducted in a state-of-the-art test laboratory. Sones are a measure of humanly-perceived loudness, based on laboratory measurements.

##### RMP Serie Backsplash (Optional)



##### AEE Series Soffit Chimney (Optional)

REFERENCE	QTY.	REMARKS	Project
			Location
			Architect
			Engineer
			Contractor
			Submitted By
			Date

# E60 SERIES RANGE HOOD SYSTEM INTERNAL BLOWERS

