

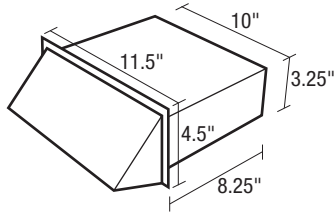


SPECIFICATIONS
WALL CAPS
ACCESSORIES

WALL CAPS

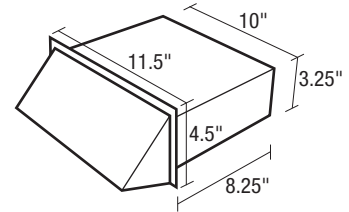
Model WCR10

For 3.25" x 10" duct
Backdraft damper
22 gauge, galvanized
steel construction



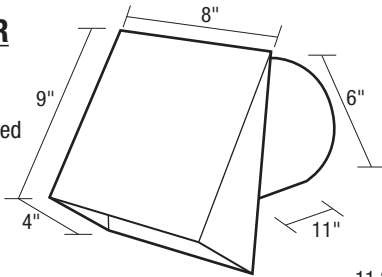
Model WC310B

For 3.25" x 10" duct
Backdraft damper
with bird screen
22 gauge, galvanized
steel construction



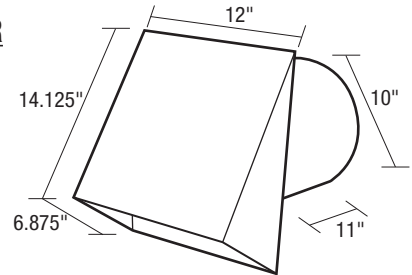
Model PWC6R

Fits 6" round duct
Backdraft damper
22 gauge, galvanized
steel construction



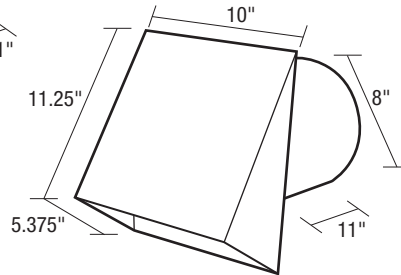
Model PWC10R

Fits 10" round duct
Backdraft damper
22 gauge, galvanized
steel construction



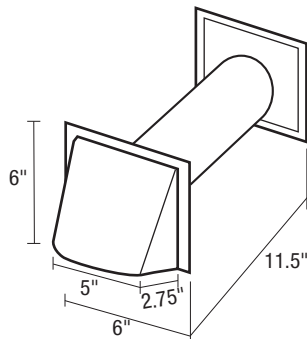
Model PWC8R

Fits 8" round duct
Backdraft damper
22 gauge, galvanized
steel construction



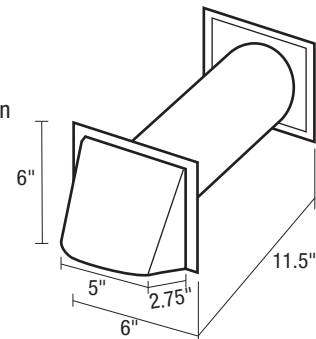
Model WC3NS

Fits 3" round duct
Backdraft damper
Aluminum construction



Model WC4NS

Fits 4" round duct
Backdraft damper
Aluminum construction



PROJECT							ARCHITECT		
LOCATION							ENGINEER		
CONTRACTOR							SUBMITTED BY		DATE
FAN NUMBER	MODEL NUMBER	CFM	IN W.C.	RPM	WATTS	AMPS	SONES	QTY	OPTIONAL EQUIPMENT & REMARKS