



SPECIFICATIONS
PROFESSIONAL
RANGE HOODS

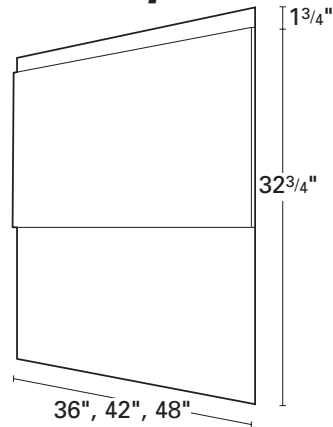
Professional Series Accessories
Back Splashes and Soffits

• **Soffits**

Stainless Steel matches hood body. Available in 36", 42", and 48" widths in 12" and 20" heights.

• _____

Back Splash

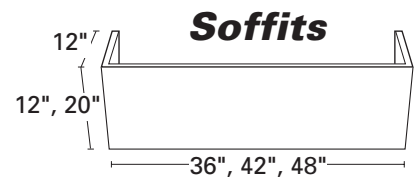


Soffits

Model	Description	Width	Height
SFT3612	Range Hood Soffit	36"	12"
SFT4212	Range Hood Soffit	42"	12"
SFT4812	Range Hood Soffit	48"	12"
SFT3620	Range Hood Soffit	36"	20"
SFT4220	Range Hood Soffit	42"	20"
SFT4820	Range Hood Soffit	48"	20"

Back Splash

Model	Description	Width
BS36	Back Splash	36"
BS36W	Back Splash w/Shelves	36"
BS42	Back Splash	42"
BS42W	Back Splash w/Shelves	42"
BS48	Back Splash	48"
BS48W	Back Splash w/Shelves	48"



SFT SERIES

PROJECT							ARCHITECT			
LOCATION							ENGINEER			
CONTRACTOR							SUBMITTED BY		DATE	
FAN NUMBER	MODEL NUMBER	CFM	IN W.G.	RPM	WATTS	AMPS	SONES	QTY	OPTIONAL EQUIPMENT & REMARKS	