

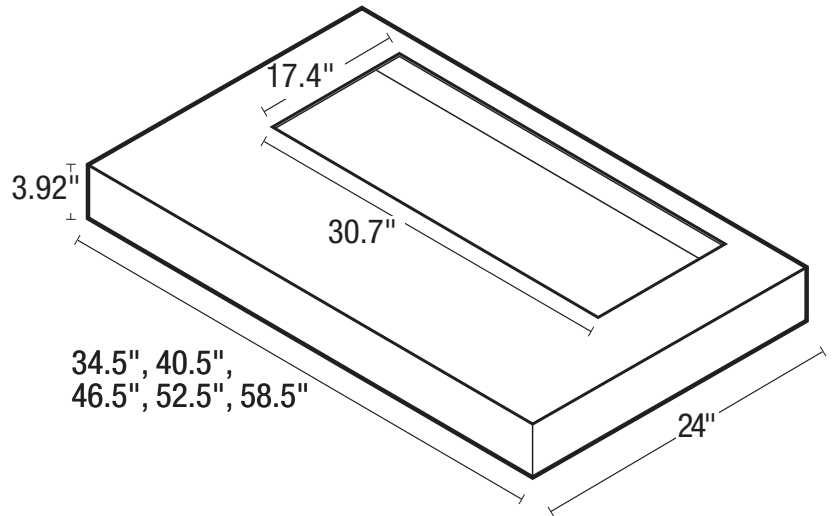


SPECIFICATIONS
**PROFESSIONAL
 LINERS**
 INSERT LINERS

Professional Series Insert Liners

• **Dimensions**

- HL36PIN: Overall width - 34.5"
 Overall depth -24"
 Height - 3.92"
- HL42PIN: Overall width - 40.5"
 Overall depth -24"
 Height - 3.92"
- HL48PIN: Overall width - 46.5"
 Overall depth -24"
 Height - 3.92"
- HL54PIN: Overall width - 52.5"
 Overall depth -24"
 Height - 3.92"
- HL60PIN: Overall width - 58.5"
 Overall depth -24"
 Height - 3.92"



• **Body**

24 Gauge Stainless Steel

• **Power Unit Opening**

30.7"W x 17.4"D

• **Usage**

PIN300, PIN500, PIN600, PIN900, PIN1200



PROJECT							ARCHITECT				
LOCATION							ENGINEER				
CONTRACTOR							SUBMITTED BY			DATE	
FAN NUMBER	MODEL NUMBER	CFM	IN W.C.	RPM	WATTS	AMPS	SONES	QTY	OPTIONAL EQUIPMENT		