

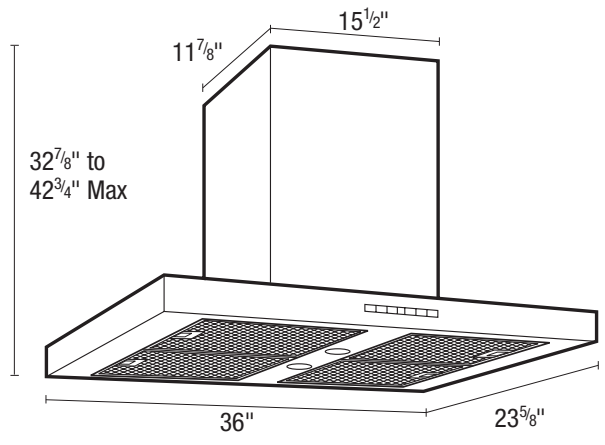


SPECIFICATIONS
PAMPLONA
 ISLAND RANGE HOODS

HVI 2100 CERTIFIED **600 CFM/14.0 SONES @ 0.10" SP.**

Barcelona®
Collection

- **Dimensions**
Overall bottom projection - 23⁵/₈"
Available widths: 36"
- **Hood Body**
Brushed 430 stainless steel
- **Motor**
3 speed, permanently split capacitor motor. Rated 120 volts, 60 hz.
- **Lighting**
Two - GU10 base, MR16, 50 watt halogen lights.
- **Ducting Options**
Vertical ducting: 6" round duct adapter complete with back draft damper ensuring quiet operation.
Ductless: Requires charcoal filter (not included).
- **Blower Wheel**
Dual inlet, electronically balanced polymeric centrifugal blower wheel, 5³/₄" width 59 paddles.
- **Mounting**
Ceiling mounted with included mounting bracket. Install 24" to 30" from cooking surface.
- **Filters**
Grease Filter: BCGF-01 (included).
Charcoal Filter: BCCF-01 (not included).
- **Available Finishes**
Stainless Steel.



EXPANDED PERFORMANCE										
	Static Pressure (inches of w.g.)						Sones @ .1 SP	Fan Speed RPM	Power Watts	Amps
	0	0.1	0.25	0.5	0.75	1.0				
Air Flow - CFM	603	600	594	578	557	531	14.0	2560	551.0	3.8

PROJECT							ARCHITECT			
LOCATION							ENGINEER			
CONTRACTOR							SUBMITTED BY			DATE
FAN NUMBER	MODEL NUMBER	CFM	IN W.C.	RPM	WATTS	AMPS	SONES	QTY	OPTIONAL EQUIPMENT & REMARKS	



Specifications subject to change without notice.

Updated 2-13