

IMPORTANT INSTRUCTIONS - OPERATING MANUAL

LIN Series



Powered Liner

READ AND SAVE THESE INSTRUCTIONS

READ CAREFULLY BEFORE ATTEMPTING TO ASSEMBLE, INSTALL, OPERATE OR MAINTAIN THE PRODUCT DESCRIBED. PROTECT YOURSELF AND OTHERS BY OBSERVING ALL SAFETY INFORMATION. FAILURE TO COMPLY WITH INSTRUCTIONS COULD RESULT IN PERSONAL INJURY AND/OR PROPERTY DAMAGE!

RETAIN INSTRUCTIONS FOR FUTURE REFERENCE.

GENERAL SAFETY INFORMATION

When using electrical appliances, basic precautions should always be followed to reduce the risk of fire, electric shock and injury to person, including the following:

WARNING: TO REDUCE THE RISK OF FIRE, ELECTRIC SHOCK AND INJURY TO PERSON, OBSERVE THE FOLLOWING:

- a) Use this unit only in the manner intended by the manufacturer. If you have questions, contact the manufacturer.
- b) Before servicing or cleaning the unit, switch power off at service panel and lock the service disconnecting means to prevent power from being switched on accidentally. When the service disconnecting means cannot be locked, securely fasten a prominent warning device, such as a tag, to the service panel.

WARNING: TO REDUCE THE RISK OF FIRE, ELECTRIC SHOCK AND INJURY TO PERSON, OBSERVE THE FOLLOWING:

- a) Installation work and electrical wiring must be done by qualified person(s) in accordance with all applicable codes and standards, including fire-related construction.
- b) Sufficient air is needed for proper combustion and exhausting of gases through the flue (chimney) of fuel burning equipment to prevent back drafting. Follow the heating equipment manufacturer's guideline and safety standards such as those published by the National Fire Protection Association (NFPA) and the American Society for Heating, Refrigeration, and Air Conditioning Engineers (ASHRAE), and the local code authorities.
- c) When cutting or drilling into wall or ceiling, do not damage electrical wiring and other hidden utilities.

WARNING: TO REDUCE THE RISK OF FIRE AND TO PROPERLY EXHAUST AIR, BE SURE TO DUCT AIR OUTSIDE - DO NOT VENT EXHAUST AIR INTO SPACES WITHIN WALLS OR CEILINGS OR INTO ATTICS, CRAWL SPACES, OR GARAGES.

- d) Ducted fans must always be vented to the outdoors.
- e) This unit must be grounded.
- f) To avoid motor bearing damage and noisy and/or unbalanced impellers, keep drywall spray, construction dust, etc. off power unit.
- g) Read all instructions before installing or using exhaust fan.

WARNING: TO REDUCE THE RISK OF FIRE, ELECTRIC SHOCK, DO NOT USE THIS FAN WITH ANY SOLID-STATE SPEED CONTROL DEVICE.

WARNING: TO REDUCE THE RISK OF A RANGE TOP GREASE FIRE:

- a) Never leave surface units unattended at high settings. Boilovers cause smoking and greasy spillovers that may ignite. Heat oils slowly on low or medium settings.
- b) Always turn hood ON when cooking at high heat or when flambéing food (ie. Crepes Suzette, Cherries Jubilee, Peppercorn Beef Flambé).
- c) Clean ventilating fans frequently. Grease should not be allowed to accumulate on fan filter.
- d) Use proper pan size. Always use cookware appropriate for the size of the surface element.

WARNING: TO REDUCE THE RISK OF INJURY TO PERSONS IN THE EVENT OF A RANGE TOP GREASE FIRE, OBSERVE THE FOLLOWING:

- a) SMOTHER FLAMES with a close-fitting lid, cookie sheet, or metal tray, then turn off burner. BE CAREFUL TO PREVENT BURNS. If the flames do not go out immediately, EVACUATE AND CALL THE FIRE DEPARTMENT.
- b) NEVER PICK UP A FLAMING PAN - You may be burned.
- c) DO NOT USE WATER, including wet dishcloths or towels - a violent steam explosion will result.
- d) Use an extinguisher ONLY if:
 - I. You know you have a Class ABC extinguisher, and you already know how to operate it.
 - II. The fire is small and contained in the area where it started.
 - III. The fire department is being called.
 - IV. You can fight the fire with your back to an exit.

WARNING: TO REDUCE THE RISK OF FIRE, USE ONLY METAL DUCTWORK.

SAVE THESE INSTRUCTIONS

INSTALLATION INSTRUCTIONS

CAUTION: MAKE SURE POWER IS SWITCHED OFF AT SERVICE PANEL BEFORE STARTING INSTALLATION.

NOTE: When installing the Liner outdoors, the Air King Professional Liners are approved for use in **covered** outdoor kitchens only. Proper duct adapters, ducting, chimneys, roof/wall caps, etc. must be utilized as called out in the following instructions. Do not install the liner in an uncovered area directly exposed to the elements.

SECTION 1

Preparing the Insert

- Unpack hood from the carton and confirm that all pieces are present. In addition to the range hood you should have:
 - 8 - Screws (LIN34, LIN40 models - 12; LIN46, LIN58 models - 14)
 - 2 - Halogen Bulbs (LIN58 models - 4)
 - 1 - Duct Adapter
 - 1 - Grease Trough
 - 2 - Grease Baffles (LIN24, LIN46, LIN58 models - 3)
 - 2 - Spacers (LIN24 models only)
 - 1 - Instruction/Safety Sheet

NOTE: Some hoods may be shipped with a protective plastic adhered to the underside of the unit. It is recommended to leave this in place during installation to protect it from scratching. Remove when the installation is complete.

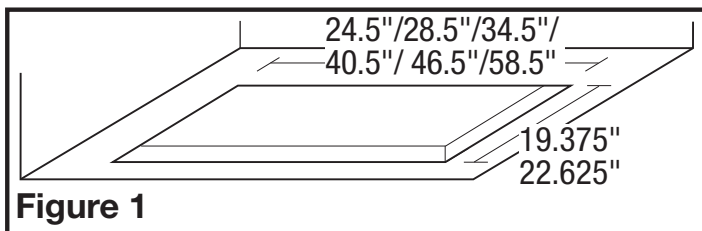
SECTION 2

Preparing the Area

CAUTION: MAKE SURE POWER IS SWITCHED OFF AT SERVICE PANEL BEFORE STARTING INSTALLATION.

CAUTION: WHEN CUTTING OR DRILLING INTO WALL DO NOT DAMAGE ELECTRICAL WIRING AND OTHER HIDDEN UTILITIES.

- Cut an appropriately sized hole for the cabinet or canopy the liner will be mounted into (Figure 1):
 - LIN24M models: 24.5" x 19.375" LIN24MD models: 24.5" x 22.625"
 - LIN28M models: 28.5" x 19.375" LIN28MD models: 28.5" x 22.625"
 - LIN34M models: 34.5" x 19.375" LIN34MD models: 34.5" x 22.625"
 - LIN40M models: 40.5" x 19.375" LIN40MD models: 40.5" x 22.625"
 - LIN46MD models: 46.5" x 22.625" LIN58MD models: 58.5" x 22.625"



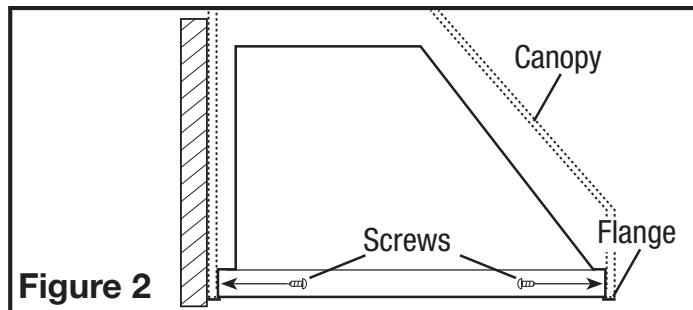
NOTE: The hood must be mounted a minimum of 24" and a maximum of 36" from the cooking surface.

SECTION 3

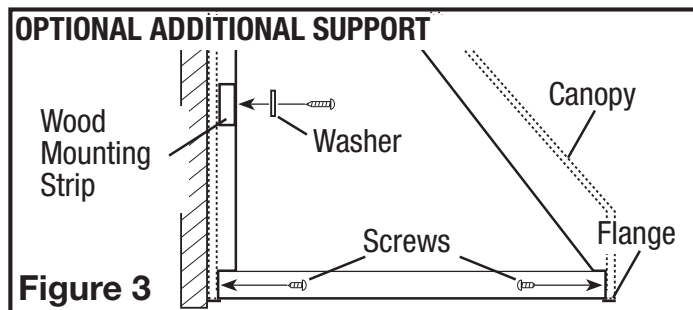
Mounting the Liner

CAUTION: DUE TO THE WEIGHT AND BULK OF THE UNIT, IT IS RECOMMENDED THAT THREE PEOPLE ARE PRESENT DURING INSTALLATION TO LIFT, HOLD, AND SECURE THE UNIT IN PLACE.

- Lift unit up into position so that the bottom flanges are in solid contact with the bottom of the canopy or cabinet. Using the included wood mounting screws, secure the unit to the canopy or cabinet by driving the screws through the holes (Figure 2).



NOTE: If additional support is required, install a 2" x .75" strip of wood between the back of the canopy (rear wall) and the hood. When installing the wood strip to the back of the canopy, locate studs in the wall to support the weight of the canopy. Center the wood strip 11.5" from the bottom of the canopy and attach the strip to at least two studs in the rear wall (do not fasten the strip to drywall only). Lift unit up into position so that the bottom flanges are in solid contact with the bottom of the canopy or cabinet. Using wood screws and washers (not included) secure the hood to the wood strip through the two keyholes in the back of the hood. Using the included wood mounting screws, secure the unit to the canopy or cabinet by driving the screws through the holes (Figure 3).



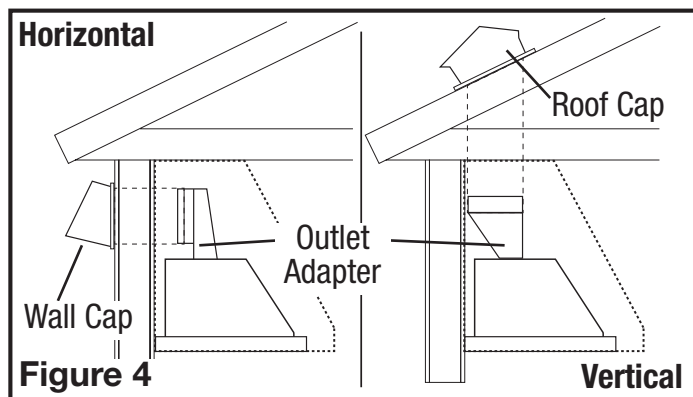
SECTION 4

Ducting

CAUTION: ALL DUCTING MUST COMPLY WITH LOCAL AND NATIONAL BUILDING CODES.

WARNING: TO REDUCE THE RISK OF FIRE, USE ONLY METAL DUCTWORK.

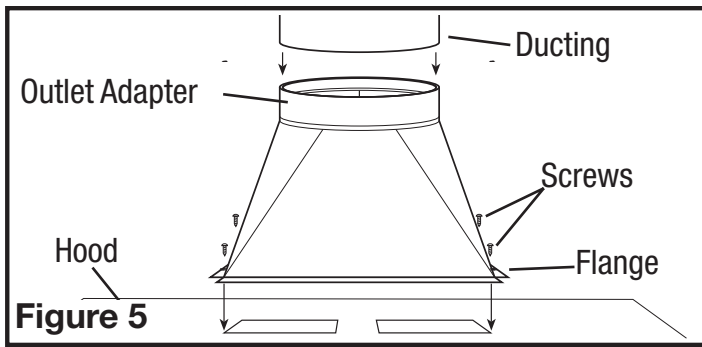
- Determine the type of ducting you will require (Figure 4).



NOTE: For models using the B300, B500, and B600 blowers, a minimum of 6" diameter outlet adapter & ducting is required to achieve the proper air flow. The B900 requires a minimum of 8" diameter adapter and ducting. The B1125 requires a minimum 10" diameter adapter and ducting.

NOTE: When the duct termination is similar to that shown in Figure 4 (passing through the wall to which the hood is mounted) the installation requires special consideration. Depending upon where the wall studs are located, it may be necessary to cut one or more of the wall studs and install a header and footer to transfer the load to the adjacent studs. Additional studs may need to be framed into the opening to attach dry wall or secure the hood. If this is your situation Air King recommends that you hire a professional and comply with all applicable codes.

- Install the proper sized outlet adapter to the hood by matching up the four holes on the flange of the adapter to the four corresponding holes on the hood and secure in place with the provided screws. Ensure an airtight seal around the adapter by securing all connections with ducting tape (Figure 5).



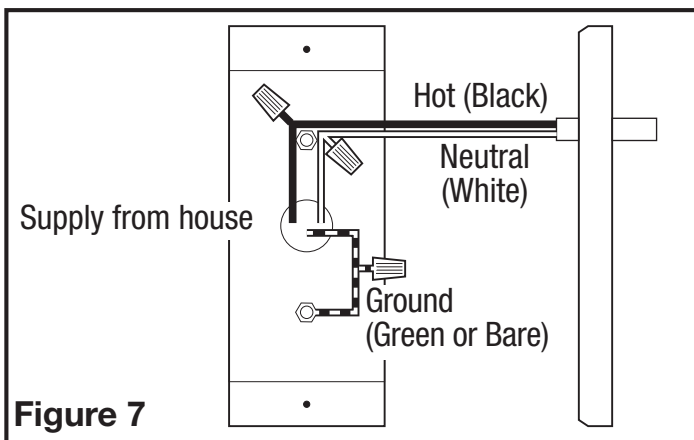
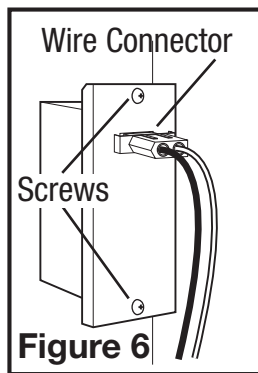
3. When there is access to the top of the unit, connect the ducting to the duct collar and secure in place using tape to seal all joints (Figure 5).
4. When there is no access to the top of the hood, carefully pull down the metal duct through the custom hood base hole. Slide this duct over the duct collar. Make sure the adapter/damper assembly enters the ducting. Seal the connection with duct tape.

SECTION 5

Wiring

CAUTION: ALL ELECTRICAL CONNECTIONS MUST BE MADE IN ACCORDANCE WITH LOCAL CODES, ORDINANCES, OR NATIONAL ELECTRICAL CODE. IF YOU ARE UNFAMILIAR WITH METHODS OF INSTALLING ELECTRICAL WIRING, SECURE THE SERVICES OF A QUALIFIED ELECTRICIAN.

1. Remove the two wire compartment cover screws to gain access into the wire compartment (Figure 6). Connect the white wire from the range hood to the white wire from the supply, and the black wire from the range hood to the black wire of the supply. Connect the ground wire from the home (green or bare) to the ground wire (green) from the hood. Use approved methods for all connections (Figure 7).
2. Replace the wire compartment cover and tighten screws. Make sure all wiring is securely contained within the wire compartment. If the quick connect wire connector was removed from the receptacle, replace. The connector will only fit one way into the receptacle (Figure 6).



SECTION 6

Installing the Blower

1. Refer to the instructions included with the specific blower you have chosen for installation.

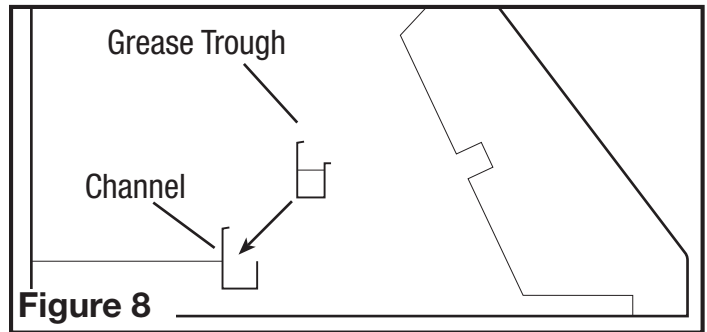
SECTION 7

Finishing the Installation

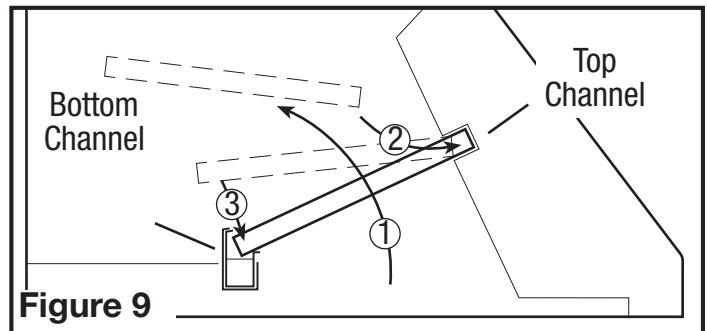
1. Install the proper lighting for your specific unit:

Halogen Lamps: Use PAR16 medium base 45W maximum Halogen lamps. Install by inserting lamp into socket and turning clockwise until lamp is firmly seated. DO NOT over tighten.

2. If the included removable grease trough is not already installed within the hood, insert into the rear inside channel of the hood. Make sure the taller side of the trough is facing towards the back of the hood (Figure 8).



3. Install the baffle filters and any spacers included with the unit by inserting the top of the filter into the top channel of the hood, then slide the bottom of the filter into the bottom channel. The filters have a top and a bottom. The bottom of the filter will have small drain holes. These holes must be facing down towards the grease trough to be effective (Figure 9).

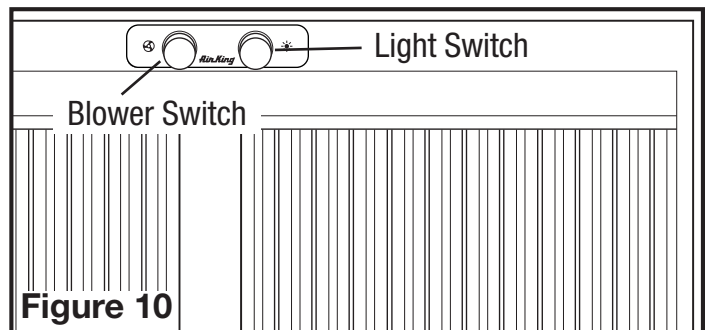


SECTION 8

Operation

Controls

Your Liner is equipped with two rotary switches with one controlling the lighting and the other controlling the exhaust fan blower. The light switch has three positions, High, Low, and Off. The fan switch has four positions, Off, High, Medium, and Low (Figure 10).



Thermostat

Your Liner is equipped with a thermostat that will automatically turn the Liner on when the temperature exceeds a set point. Once the temperature drops, the thermostat will turn the Liner off.

CAUTION: THE LINER SHOULD ALWAYS BE TURNED ON OR OFF USING THE CONTROL PANEL ANYTIME THE COOKING SURFACE IS BEING USED. DO NOT RELY ON THE THERMOSTAT AS THE SOLE MEANS OF TURNING THE LINER ON OR OFF!

SECTION 9

Maintenance

CAUTION: MAKE SURE POWER IS SWITCHED OFF AT SERVICE PANEL BEFORE SERVICING THE UNIT.

Grease Baffles

Included with your range hood are stainless steel grease baffles along with a grease trough that should be washed at least once a month. The baffles and trough are dishwasher safe and should be washed in a mild soap or detergent. Reverse the instruction in SECTION 8 *Finishing the Installation*, to remove baffles and trough. If the grease baffles become damaged, replace with the appropriate Air King Grease Baffles as described in the parts diagram.

CAUTION: ALLOW BULB TO COOL BEFORE REPLACING.

Changing the Lamps

Remove the lamp by turning slightly counter-clockwise and pulling out of the socket. Replace with a PAR16 medium base 45W maximum Halogen lamp.

Fuse

To replace the fuse, turn the fuse cap located next to the wire connector counter clockwise and pull out. Replace with the proper fuse specific to your blower. Reinstall the fuse back into the hood.

Cleaning

CAUTION: DO NOT USE GASOLINE, BENZINE, THINNER, HARSH CLEANSERS, ETC., AS THEY MAY DAMAGE THE RANGE HOOD.

1. Clean your power unit with a mild detergent, such as dishwashing liquid, and dry with a soft cloth. **NEVER USE ANY ABRASIVE PADS OR SCOURING POWDERS.** Completely dry before restoring power. **NEVER IMMERSE ELECTRICAL PARTS IN WATER.**
2. The fan assembly can be vacuumed when build up (dirt, lint, etc.) accumulates over time. The fan is permanently lubricated and does not require oiling.

Troubleshooting Guide

Trouble	Probable Cause	Suggested Remedy
1. Hood does not operate when the switch is on.	1a. A fuse may be blown or a circuit tripped. 1b. Wiring is not connected properly.	1a. Replace fuse or reset circuit breaker. 1b. Turn off power to unit. Check that all wires are connected.
2. Hood is operating, but air moves slower than normal.	2. Obstruction in the exhaust ducting.	2. Check for any obstructions in the ducting including filter.
3. Hood is making a rattling noise.	3a. Filters are loose. 3b. Duct connection is loose. 3c. Damper is stuck.	3a. Turn off power to unit. Check that all filter screws are fully tightened. 3b. Turn off power to unit. Check that duct connection is tight. 3c. Turn off power to unit. Check that the damper is opening freely.

LIMITED WARRANTY

WHAT THIS WARRANTY COVERS: This product is warranted against defects in workmanship and/or materials.

HOW LONG THIS WARRANTY LASTS: This warranty extends only to the original purchaser of the product and lasts for one (1) year from the date of original purchase or until the original purchaser of the product sells or transfers the product, whichever first occurs.

WHAT AIR KING WILL DO: During the warranty period, Air King will, at its sole option, repair or replace any part or parts that prove to be defective or replace the whole product with the same or comparable model.

WHAT THIS WARRANTY DOES NOT COVER: This warranty does not apply if the product was damaged or failed because of accident, improper handling or operation, shipping damage, abuse, misuse, unauthorized repairs made or attempted. This warranty does not cover shipping costs for the return of products to Air King for repair or replacement. Air King will pay return shipping charges from Air King following warranty repairs or replacement

ANY AND ALL WARRANTIES, EXPRESSED OR IMPLIED (INCLUDING, WITHOUT LIMITATION, ANY IMPLIED WARRANTY OF MERCHANTABILITY), LAST ONE YEAR FROM THE DATE OF ORIGINAL PURCHASE OR UNTIL THE ORIGINAL PURCHASER OF THE PRODUCT SELLS OR TRANSFERS THE PRODUCT, WHICHEVER FIRST OCCURS AND IN NO EVENT SHALL AIR KING'S LIABILITY UNDER ANY EXPRESS OR IMPLIED WARRANTY INCLUDE (I) INCIDENTAL OR CONSEQUENTIAL DAMAGES FROM ANY CAUSE WHATSOEVER, OR (II) REPLACEMENT OR REPAIR OF ANY HOUSE FUSES, CIRCUIT BREAKERS OR RECEPTACLES. NOTWITHSTANDING ANYTHING TO THE CONTRARY, IN NO EVENT SHALL AIR KING'S LIABILITY UNDER ANY EXPRESS OR IMPLIED WARRANTY EXCEED THE PURCHASE PRICE OF THE PRODUCT AND ANY SUCH LIABILITY SHALL TERMINATE UPON THE EXPIRATION OF THE WARRANTY PERIOD.

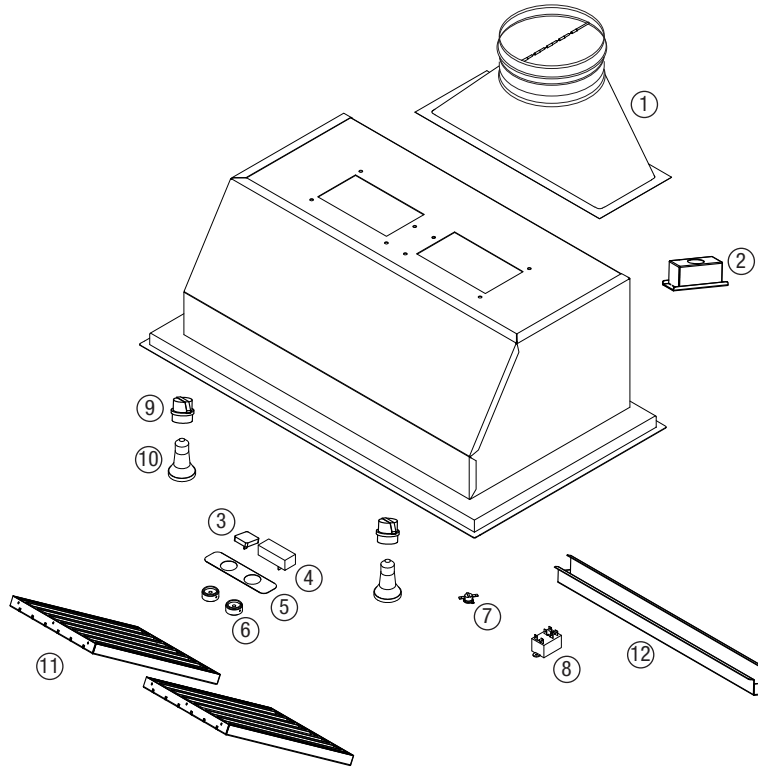
Some states and provinces do not allow limitations on how long an implied warranty lasts, or the exclusion or limitation of incidental or consequential damages, so these exclusions or limitations may not apply to you. This warranty gives you specific legal rights. You may also have other rights which vary from state to state and province to province. Proof of purchase is required before a warranty claim will be accepted.

CUSTOMER SERVICE:

kitchensource.com

1.800.667.8721

REPLACEMENT PARTS DIAGRAM



ALL LIN MODELS

#	Qty.	Description	Replacement Part #
1	1	Vertical Duct Adapter (300, 500, 600 CFM)	5S1136141
	1	Vertical Duct Adapter (900 CFM)	5S1136142
	1	Vertical Duct Adapter (1200 CFM)	5S1136143
2	1	Wire Box	5S1136064
3	1	Fan Switch	5S1136070
4	1	Light Switch	5S1141013
5	1	Switch Plate	5S1142010
6	2	Knob	5S1142011
7	1	Thermostat	5S1141012
8	1	Relay	5S1239008

LIN24 MODELS

#	Qty.	Description	Replacement Part #
9	2	Lamp Holder	5S1136075
10	2	45w PAR16 Bulb	5S1136099
11	3	Baffle Filter - PHGB1	5S1136077
12	1	Grease Tray	5S1141320
	2	Filter Spacer	5S1141221

LIN28 MODELS

#	Qty.	Description	Replacement Part #
9	2	Lamp Holder	5S1136075
10	2	45w PAR16 Bulb	5S1136099
11	2	Baffle Filter - PHGB2	5S1136078
12	1	Grease Tray	5S1141370

LIN34 MODELS

#	Qty.	Description	Replacement Part #
9	2	Lamp Holder	5S1136075
10	2	45w PAR16 Bulb	5S1136099
11	2	Baffle Filter - PHGB3	5S1136079
12	1	Grease Tray	5S1136135

LIN40 MODELS

#	Qty.	Description	Replacement Part #
9	2	Lamp Holder	5S1136075
10	2	45w PAR16 Bulb	5S1136099
11	2	Baffle Filter - PHGB3	5S1136079
12	1	Grease Tray	5S1136135

LIN46 MODELS

#	Qty.	Description	Replacement Part #
9	2	Lamp Holder	5S1136075
10	2	45w PAR16 Bulb	5S1136099
11	3	Baffle Filter - PHGB3	5S1136079
12	1	Grease Tray	5S1136139

LIN58 MODELS

#	Qty.	Description	Replacement Part #
9	2	Lamp Holder	5S1136075
10	3	45w PAR16 Bulb	5S1136099
11	3	Baffle Filter - PHGB3	5S1136079
12	1	Grease Tray	5S1136139