

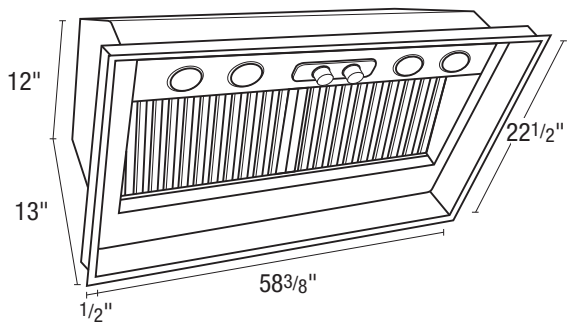


SPECIFICATIONS
LIN58MD
 POWER UNIT LINER

HVI CERTIFIED 2100

LIN58md-300 CFM/1.5 Sones @ 0.10" SP.
 LIN58md-500 CFM/4.5 Sones @ 0.10" SP.
 LIN58md-600 CFM/5.5 Sones @ 0.10" SP.
 LIN58md-900 CFM/11.0 Sones @ 0.10" SP.
 LIN58md-1200 CFM/15.0 Sones @ 0.10" SP.

- **Hood**
Galvanized metal body with all exposed areas grade 430 stainless steel. Approved for installation into covered outdoor kitchen areas.
- **Thermostat**
Thermostat detects when the heat level rises to an excessive amount and automatically turns the hood on.
- **Blower Wheel**
Dual inlet, electronically balanced centrifugal blower wheels, 57/8" width 59 paddles.
- **Lighting**
4 - PAR16 type A screw-in base, 45 watt maximum Halogen lamps (included).
- **Ducting Options**
Vertical outlet only. Vertical or Horizontal ducting transition achieved through vertical or horizontal duct adapter (vertical adapter included) specified for size of motor.
- **Filters**
Grease Baffles: Dishwasher safe, Stainless Steel baffles (included).
- **Available Finishes**
Brushed Stainless Steel - #4 finish
- **Opening Size**
58 3/8" x 22 1/2" (Fits cabinets 60" wide)



NOTE: 1/2" wide trim flange around the entire perimeter of the face plate

Air Flow - CFM	Static Pressure (inches of w.g.)						Sones @ .1 SP	Fan Speed RPM	Blower Watts	Full Load Amps
	0	0.1	0.25	0.375	0.5	0.625				
300 CFM Blower	317	300	267	229	167	-	1.5	760	81	.90
500 CFM Blower	529	500	444	382	278	116	4.5	1206	131	1.10
600 CFM Blower	638	600	537	458	342	143	5.5	1492	164	1.25
900 CFM Blower	918	900	874	852	829	805	11.0	2051	604	5.70
1200 CFM Blower	1222	1200	1168	1142	1117	1090	15.0	2617	945	7.20



Specifications subject to change without notice.

Updated 10-12