



**SPECIFICATIONS**

**ESDQ**

**RANGE HOODS**

	<b>270 CFM/4.0 Sones (Vertical) @ 0.10" S.P.</b>
	<b>150 CFM/1.5 Sones (Vertical) @ 0.10" S.P., 42.7 Watts</b>
	<b>270 CFM/3.5 Sones (Horizontal) @ 0.10" SP.</b>
	<b>150 CFM/1.1 Sones (Horizontal) @ 0.10" SP., 42.4 Watts</b>

**• Dimensions**

Overall bottom projection - 19 1/2"  
 Height - 7 1/2"  
 Widths - 24", 30", 36"

**• Hood Body**

Stainless Steel or 24 gauge cold rolled steel, auto welded, powder coated

**• Motor**

3 speed, thermally protected, permanently lubricated motor. Rated 120 volts, 60 hz. with two electronically balanced blower wheels

**• Lighting**

Includes 26 Watt GU24 base self ballasted lamp (included)

**• Ducting Options**

Horizontal, Vertical ducting: 3 1/4" x 10" (duct adapter and damper included).  
 Ductless\*: removable front vent (charcoal filter not included)

**• Mounting**

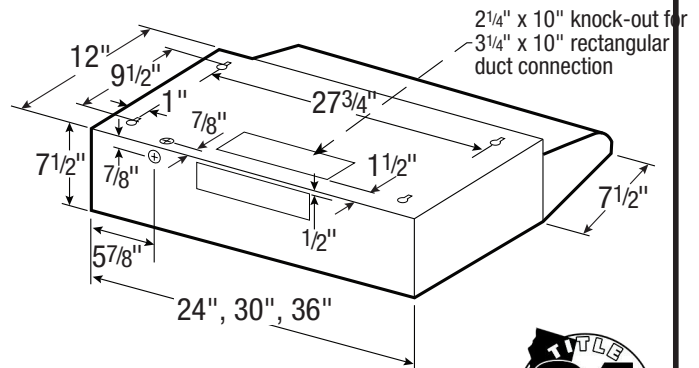
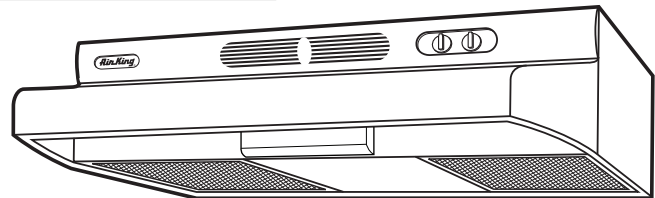
Wall mounted. Install 20" to 30" from cooking surface.

**• Filters**

Grease Filter (included): GF-01 (30", 36" models), GF-07 (24" models).  
 Charcoal Filter (not included): CF-01 (30", 36" models), CF-07 (24" models).

**• Available Finishes**

Stainless Steel (ESDQ1248, ESDQ1308, ESDQ1368),  
 White (ESDQ1243, ESDQ1303, ESDQ1363), Biscuit (ESDQ1244, ESDQ1304, ESDQ1364),  
 Almond (ESDQ1245, ESDQ1305, ESDQ1365), Black (ESDQ1246, ESDQ1306, ESDQ1366)



**EXPANDED PERFORMANCE**

Air Flow - CFM	Static Pressure (inches of w.g.)						Sones @ .1 SP	Fan Speed RPM	Power Watts	Amps
	0	0.1	0.125	0.15	0.2	0.25				
<b>Horz Ducting High Speed</b>	311	270	261	251	225	188	3.5	1653	73.0	1.0
<b>Horz Ducting Med Speed</b>	216	200	195	190	176	142	2.5	1612	58.0	1.0
<b>Horz Ducting Low Speed</b>	163	150	144	137	66	-	1.1	1229	42.4	1.0
<b>Vert Ducting High Speed</b>	310	270	261	251	225	192	4.0	1653	73.0	1.0
<b>Vert Ducting Med Speed</b>	216	200	195	190	176	142	2.5	1612	58.0	1.0
<b>Vert Ducting Low Speed</b>	159	150	148	142	114	44	1.5	1189	42.7	1.0



\* The ENERGY STAR Program for Residential Ventilating Fans has no provision for qualification of ductless rangehoods (recirculating not ventilating), as a result the ENERGY STAR program applies to ducted rangehoods only. Specifications subject to change without notice.