

# IMPORTANT INSTRUCTIONS - OPERATING MANUAL

Professional Series



Back Splash

## READ AND SAVE THESE INSTRUCTIONS

READ CAREFULLY BEFORE ATTEMPTING TO ASSEMBLE, INSTALL, OPERATE OR MAINTAIN THE PRODUCT DESCRIBED. PROTECT YOURSELF AND OTHERS BY OBSERVING ALL SAFETY INFORMATION. FAILURE TO COMPLY WITH INSTRUCTIONS COULD RESULT IN PERSONAL INJURY AND/OR PROPERTY DAMAGE!

RETAIN INSTRUCTIONS FOR FUTURE REFERENCE.

### GENERAL SAFETY INFORMATION

When using electrical appliances, basic precautions should always be followed to reduce the risk of fire, electric shock and injury to person, including the following:

**WARNING:** TO REDUCE THE RISK OF FIRE, ELECTRIC SHOCK AND INJURY TO PERSON, OBSERVE THE FOLLOWING:

1. Read all instructions before installing or using range hood.
2. Use this unit only in the manner intended by the manufacturer. If you have questions, contact the manufacturer.
3. Installation work must be done by qualified person(s) in accordance with all applicable codes and standards, including fire-related construction.
4. When cutting or drilling into wall or ceiling, do not damage electrical wiring and other hidden utilities.
5. Refer to the instructions included with the Range Hood Canopy for additional safety information.

## SAVE THESE INSTRUCTIONS

### INSTALLATION INSTRUCTIONS

**CAUTION:** MAKE SURE POWER IS SWITCHED OFF AT SERVICE PANEL BEFORE STARTING INSTALLATION.

#### SECTION 1

##### Preparing for installation

**NOTE:** Before installing back splash, make sure all component of the rest of the installation including the range hood and any optional soffits have been measured properly and accounted for. See "Range Hood Mounting Instructions".

1. Unpack back splash from the carton and confirm that all pieces are present. In addition to the back splash top and bottom piece, you should have:

**All Models:**

- 9 - #8 Screws
- 9 - Wall Anchors
- 1 - Instruction/Safety Sheet

**Models with Shelves also include:**

- 2 - Wire Shelves
- 4 - Shelf Mounting Brackets
- 8 - Screws

**NOTE:** Some back splashes may be shipped with a protective plastic adhered to the back splash. It is recommended to leave this in place during installation to protect from scratching. Remove when the installation is complete.

2. Determine where the bottom of the hood will be located and mark a level line 17 3/4" below it. Hold the bottom section of the back splash (flat section) up to the line you just marked. Make sure the section is centered side to side and mark the location of the holes on the line (**Figure 1**).

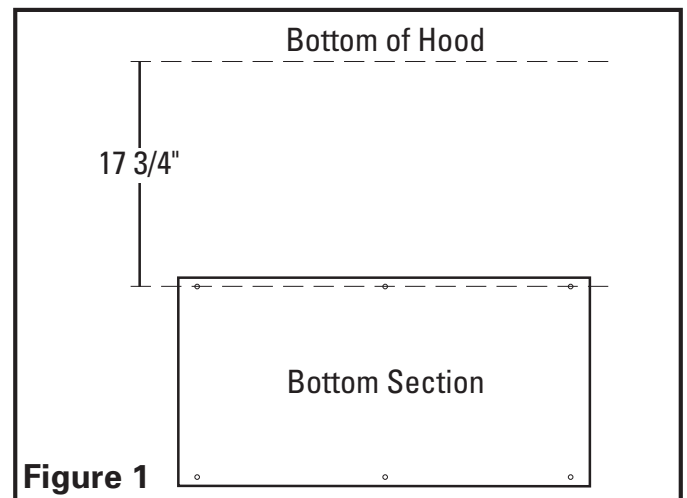


Figure 1

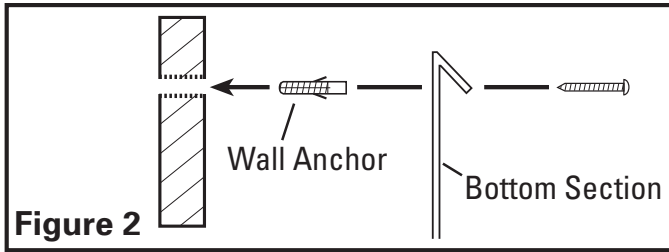
**NOTE:** Make sure you center the holes in the bottom back splash section on the marked line. DO NOT use the line to level the top of the back splash.

#### SECTION 2

##### Installation

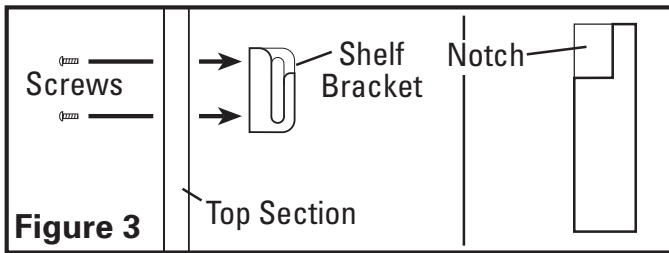
**NOTE:** Confirm that the bottom section of the back splash will be level and centered with the cook top.

1. Install the included wall anchors by drilling into the wall at the locations that were marked earlier (**Figure 2**).



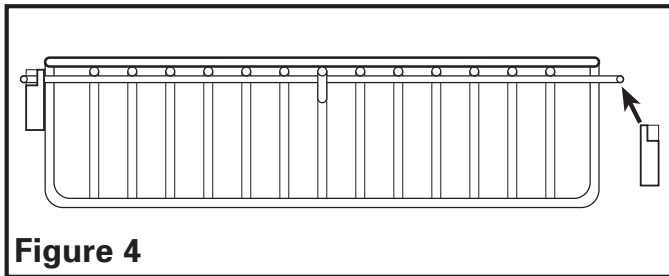
**Figure 2**

2. Install the bottom section of the back splash by lining up the 6 holes in the back splash with the wall anchors that were installed earlier and attach using the included screws (**Figure 2**). If your back splash is equipped with the optional shelves please continue with step 3. If your back splash does not include shelves proceed to step 6 in this section.
3. **Optional Shelves:** Before installing the top section of the back splash, the shelf brackets and shelves must be installed. Install one of the outer shelf bracket by securing it from the back side of the back splash with the included screws, through the predrilled holes. Make sure the notched side of the bracket is facing outward (**Figure 3**).



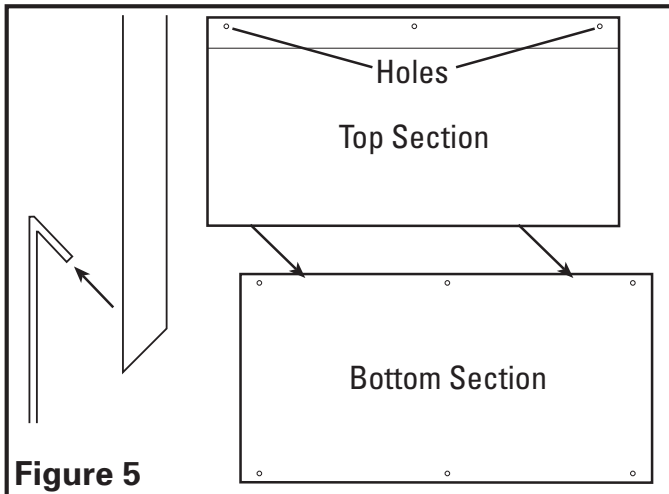
**Figure 3**

4. Insert one side of the shelf into the bracket that was just installed onto the back splash, then install the opposite bracket to the opposite side of the shelf and connect it to the back splash with the provided screws (**Figure 4**).



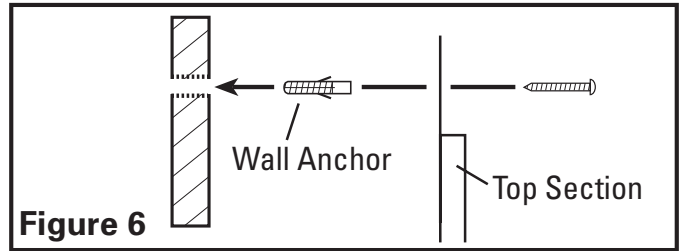
**Figure 4**

5. Repeat steps to install the second shelf.
6. Lift the top section into place by hooking the flange of the bottom section into the channel of the top section and center the top section in place. Once the top section is exactly in place, mark the hole locations (**Figure 5**).



**Figure 5**

7. Remove the back splash top section and install the included wall anchors by drilling into the wall at the marked locations (**Figure 6**).



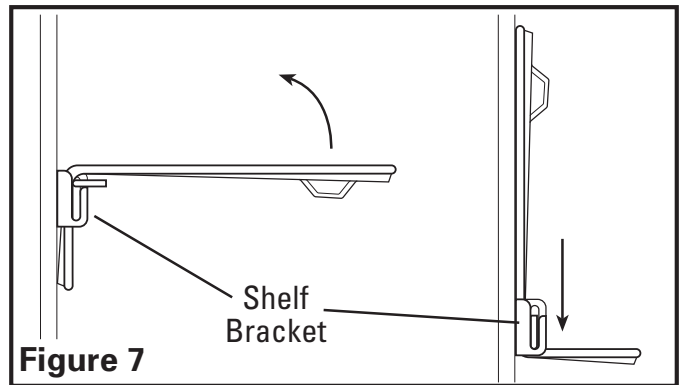
**Figure 6**

8. Lift the top section back into place by hooking the flange of the bottom section into the channel of the top section and line up the 3 holes in the back splash with the wall anchors that were just installed and attach using the included screws (**Figure 6**).

## SECTION 3

### Use and Care

1. If your back splash include the optional shelves, these can be positioned upward when not in use to create additional working space. To move the shelf into the upright position, hold the front of the shelf and lift upward, then slide the shelf down into the channel of the bracket (**Figure 7**). To move the shelf into the lowered position, reverse the directions.



**Figure 7**

2. Refer to the hood instruction manual to complete the installation, for maintenance, and before restoring power.
3. The back splash is covered under the range hood's warranty.