

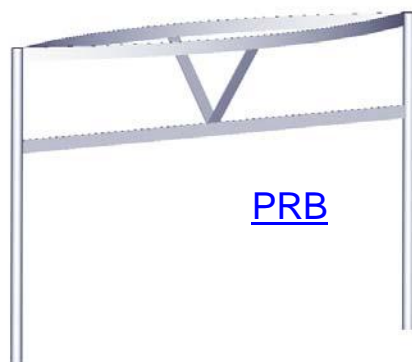


"PRTC" & "PRB" Stainless Steel POT RACKS

Oval-Shaped Rack
Model PRB Boat-Shaped Rack



PRTC



PRB

Model PRTC Oval - Shaped Rack

MODEL	LENGTH	HOOKS	QTY
PRTC1A	36"	9	
PRTC1	48"	12	
PRTC2	60"	15	
PRTC3	72"	18	
PRTC3A	84"	21	
PRTC4	96"	24	
PRTC4A	108"	27	
PRTC5	120"	30	

Model PRB Boat - Shaped Rack

MODEL	LENGTH	HOOKS	QTY
PRB01A	36"	9	
PRB01	48"	12	
PRB02	60"	15	
PRB03	72"	18	
PRB03A	84"	21	
PRB04	96"	24	
PRB04A	108"	27	
PRB05	120"	30	

FEATURES:

- * Pot Racks are fabricated from 2"x3/16" Stainless Steel flat bar 16 gauge, type 300 stainless steel with # 3 polish, satin finish
- * Uprights are 1 5/8" O.D. Round 16 gauge tubing, type 300 stainless steel with # 3 polish, satin finish
- * **Table or Ceiling Mount** (Please Specify)
- * All Pot Racks feature **Welded-Set-Up**
- * Pot Hooks are Removable and Stainless Steel
- * Table mount Pot Racks are 48" total height above work surface
- * All models are approved by the National Sanitation Foundation

CONSTRUCTION:

- * Stainless Steel Pot Racks are TIG welded
Exposed welds are polished to match adjacent surfaces

MATERIAL:

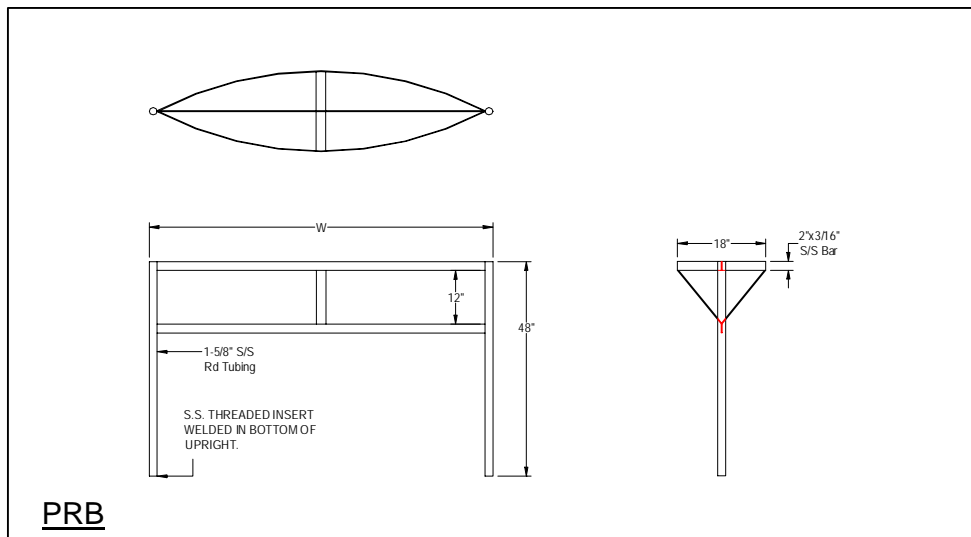
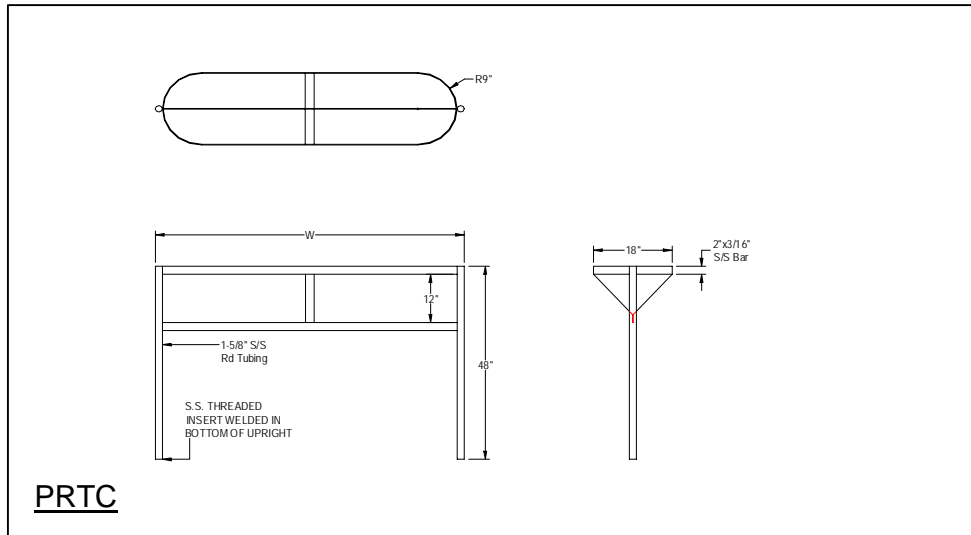
- Frame: 2" x 3/16" Flat Bar, 16 gauge type 300 stainless steel # 3 polish, satin finish
- Uprights: 1 5/8" Round O.D., 16 gauge type 300 tubular stainless steel # 3 polish, satin finish
- Hooks: Stainless Steel

OPTIONAL ACCESSORIES

	MODEL	Qty
Ceiling Mount		
Extra Hooks		

John Boos & Com

DETAILED SPECIFICATIONS



Shipped Welded set-Up
 Units 6 ft. and longer are furnished with extra support bracket
 All dimensions are typical.
 Tolerance +/- .500".

___ - Shaped Rack			
MODEL	LENGTH	HOOKS	WT
PRTC1A	36"	9	63
PRTC1	48"	12	84
PRTC2	60"	15	105
PRTC3	72"	18	126
PRTC3A	84"	21	147
PRTC4	96"	24	168
PRTC4A	108"	27	189
PRTC5	120"	30	210

Model PRB Boat - Shaped Rack			
MODEL	LENGTH	HOOKS	WT
PRB01A	36"	9	63
PRB01	48"	12	84
PRB02	60"	15	105
PRB03	72"	18	126
PRB03A	84"	21	147
PRB04	96"	24	168
PRB04A	108"	27	189
PRB05	120"	30	210

John Boos & Com



March 2009

John Boos is constantly engaged in a program of improving products and therefore reserves the right to change specification without prior notice