

Rack It Up![™]



Utensil Bar



THANK YOU VERY MUCH!

We sincerely appreciate your purchase of this kitchen/cookware storage product from Enclume Design Products, Inc. Enclume is America's foremost producer of premium-grade cookware racks.

This pot rack is strong and easy to assemble. It is also the easiest ever to install with new-technology DRYWALL anchors! We want you to enjoy it for many years to come. Please don't hesitate to contact us if you have questions or need assistance.

IMPORTANT!

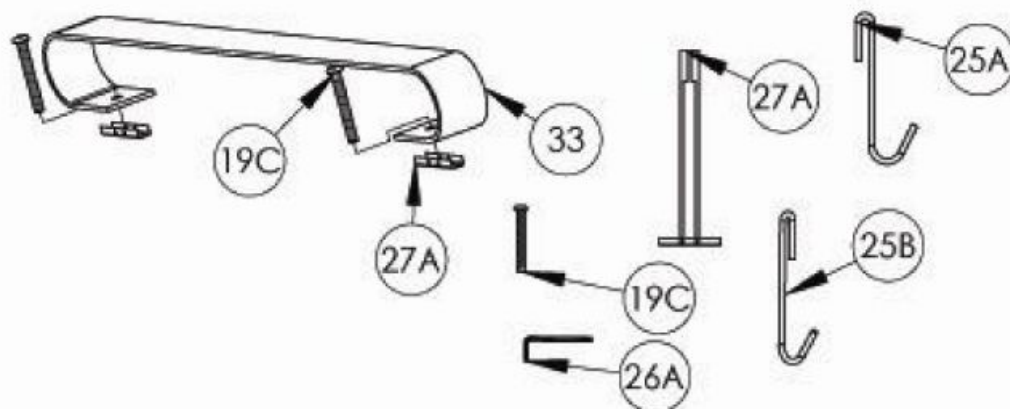
Enclume is committed to the highest quality in the manufacture of this **RACK IT UP** pot rack. Each product has been carefully inspected before shipment.

However, in case there is a problem, PLEASE LET US HELP YOU FIRST. Do not return the item to the location where you purchased it. Call us and explain what is missing or wrong. We will do our best to help with any question or problem you have—and as fast as possible.



How To Attach Utensil Bar to Wall

TIP! SAVE TIME AND HASSLE. PLEASE READ ENTIRE INSTRUCTIONS BEFORE BEGINNING ASSEMBLY.



PAINTABLE - Want a different color? The finish on this pot rack can be spray painted any color. We recommend Rustoleum "Hammered" colors for their metal-like finishes, however any quality spray-can paint may be used. See a paint retailer for guidance

TOOLS NEEDED - Hex wrench, _____ fastener hardware (nuts, bolts) are provided.

| Item No. | Description | Qty. |
|----------|------------------------|------|
| 33 | Utensil Bar | 1 |
| | Installation hardware | |
| 19C | Button head screw - 2" | 2 |
| 25A | Pot hook straight | 4 |
| 25B | Pot hook angled | 4 |
| 26A | Hex wrench | 1 |
| 27A | | |

TOOLS NEEDED:

Provided: Installation wall anchors, bolts and hex wrench.

You will need: level, tape measure, pencil, drill and ½" drill bit, hammer and nail

STEP 1: LOCATION

Decide where you want to place your utensil bar. We suggest a location near your stove, sink or food preparation area. Also consider the height of the wall where the bar will hang, keeping in mind how far below the bar your pot and utensils will hang.

On the wall (use a level to ensure that the bar is horizontal) mark the two points where the bar will attach. Then tap a small nail through each mark to be certain a stud is not in the way. (NOTE: because your utensil bar includes super-strong new-technology anchors that can hold 100s of pounds, you DO NOT need to locate and bolt to studs.)

STEP 2: INSTALL DRYWALL ANCHORS

Follow instructions on following page.

Installation of Drywall Anchors

TOGGLER® brand SNAPTOGGLE® Toggle Bolt Installation Instructions

IMPORTANT! If your house is older (maybe a Victorian?) with lath board plaster ceilings and walls, DO NOT use the new dry-wall anchor system. Old lath board plaster walls are not strong enough to hold drywall anchors. In this case, you must attach the wall rack to wood studs with wood lag screws (not included with your rack).

- 1) Using an electric drill with $\frac{1}{2}$ " bit, drill a hole at each of your marked points. Hold metal channel flat alongside plastic straps and slide channel through hold. Minimum clearance behind wall should be $1\frac{7}{8}$ ".

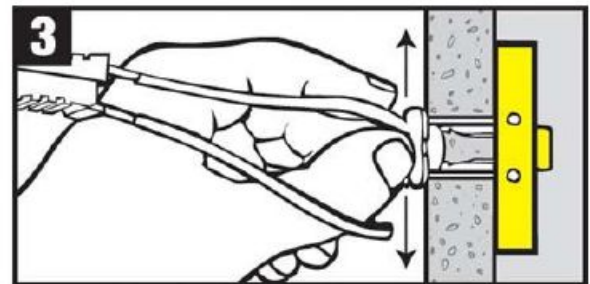
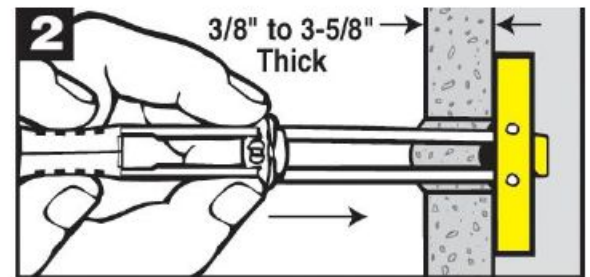
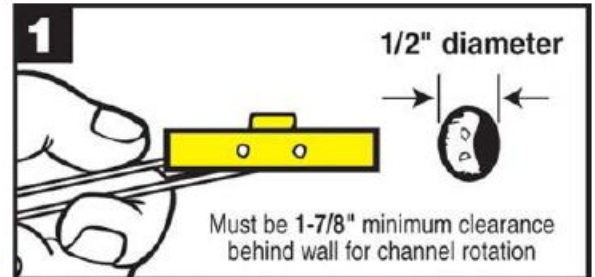
NOTE: If a wood stud happens to be located at one of those points, we recommend that you use $\frac{1}{4}$ " x 3" wood lag screws (not provided) to attach to the stud. (Pre-drill a $\frac{3}{16}$ " hole in the stud so the screws are easier to insert into the hole.)

- 2) Hold ends of straps between thumb and forefinger and pull toward you until channel rests flush behind wall. Slide Plastic cap along straps with other hand until flange of cap is flush with the wall.

- 3) Bend straps at wall by pushing side to side, snapping off straps level with flange of cap.

- 4) Repeat for other anchor point.

- 5) Now position Utensil Bar on the wall lining up holes with holes in wall. With your fingers, screw button head bolt (19C) through each hole and into anchor until nearly to wall. Then with hex wrench provided, tighten both bolts snugly.



Toggler® Independent Lab Results (anchor load before failure per attachment point)

TENSILE

$\frac{1}{2}$ " drywall – 265 lbs.
 $\frac{5}{8}$ " drywall – 356 lbs.

SHEAR

$\frac{1}{2}$ " drywall – 241 lbs.
 $\frac{5}{8}$ " drywall – 324 lbs.

Industry safety standards recommend $\frac{1}{4}$ of ultimate test load.

That's It! You are now ready to hang hooks, pots and utensils!

CLEANING

Your bar has a durable powder coat finish designed to provide years of protection. Cleaning is done easily using soap and a damp cloth. Dry thoroughly after cleaning.

ACCESSORIES

These handy add-ons enhance your pot rack.

8 Pot Hooks

There's always a need for extra hooks. Set of eight hooks (4 straight, 4 angle). Steel with powder coat finish for extra durability.



RACK IT UP! 5-Year Limited Warranty

This product is warranted to be free of material defects for a period of five years from the date of purchase. Customer's exclusive remedy shall be the repair or replacement of the defective product and shall be subject to the following conditions: (1) notice of any defect is received by Enclume within the warranty period and (2) customer returns the defective product to Enclume Design Products, Inc., 24 Colwell Street, Port Hadlock, WA 98339, *postage prepaid* within 20 days following a return authorization number. (A return authorization number may be obtained from Enclume by calling the number at the bottom of this booklet.) There are no other warranties expressed or implied.

THERE ARE NO WARRANTIES OF MERCHANTABILITY OR FITNESS FOR A PARTICULAR PURPOSE. ENCLUME SPECIFICALLY DISCLAIMS ANY AND ALL INCIDENTAL OR CONSEQUENTIAL DAMAGES ARISING OUT OF THE PURCHASE, INSTALLATION OR USE OF ENCLUME PRODUCTS.



RACK IT UP by Enclume™ is a trademark of Enclume Design Products, Inc. All rights reserved. Made in China. Packed in the U.S.A.

©2008 Enclume Design Products, Inc.