



## DR4 Classic Oval w/Grid

**Enclume Décor racks are the ultimate in quality, design, strength and function. Congratulations for owning one of the finest storage racks made.**



**WARNING:  
D ALL OF THE INSTRUCTIONS BEFORE ASSEMBLING AND USING YOUR RACK.**

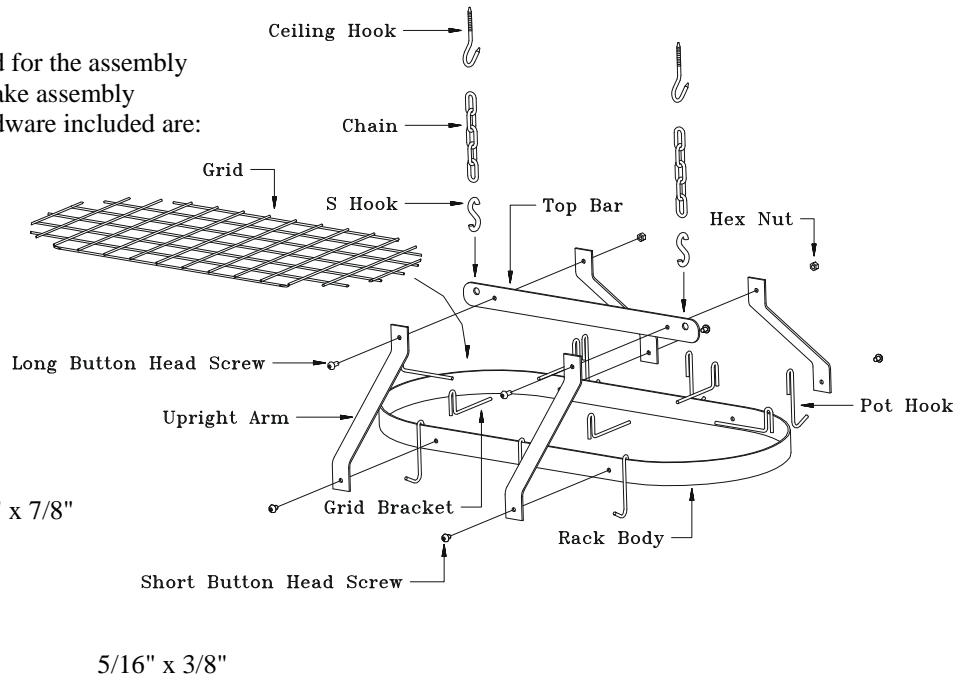
Enclosed you will find everything needed for the assembly and use of your pot rack. Two people make assembly and installation easier. The parts and hardware included are:

**Hardware included:**

- 2 - 3/16" x 3 1/4" "large" Ceiling Hooks
- 2 - 'S' Hooks 2"
- 2 - 6" Chain
- 2 - 5/16" x 7/8" Button head Screws
- 4 - 5/16" x 3/8" Button Head Screws
- 2 - 5/16" Hex Nuts
- 1 - 3/16" Hex Key
- Toggle Kit

**Components included:**

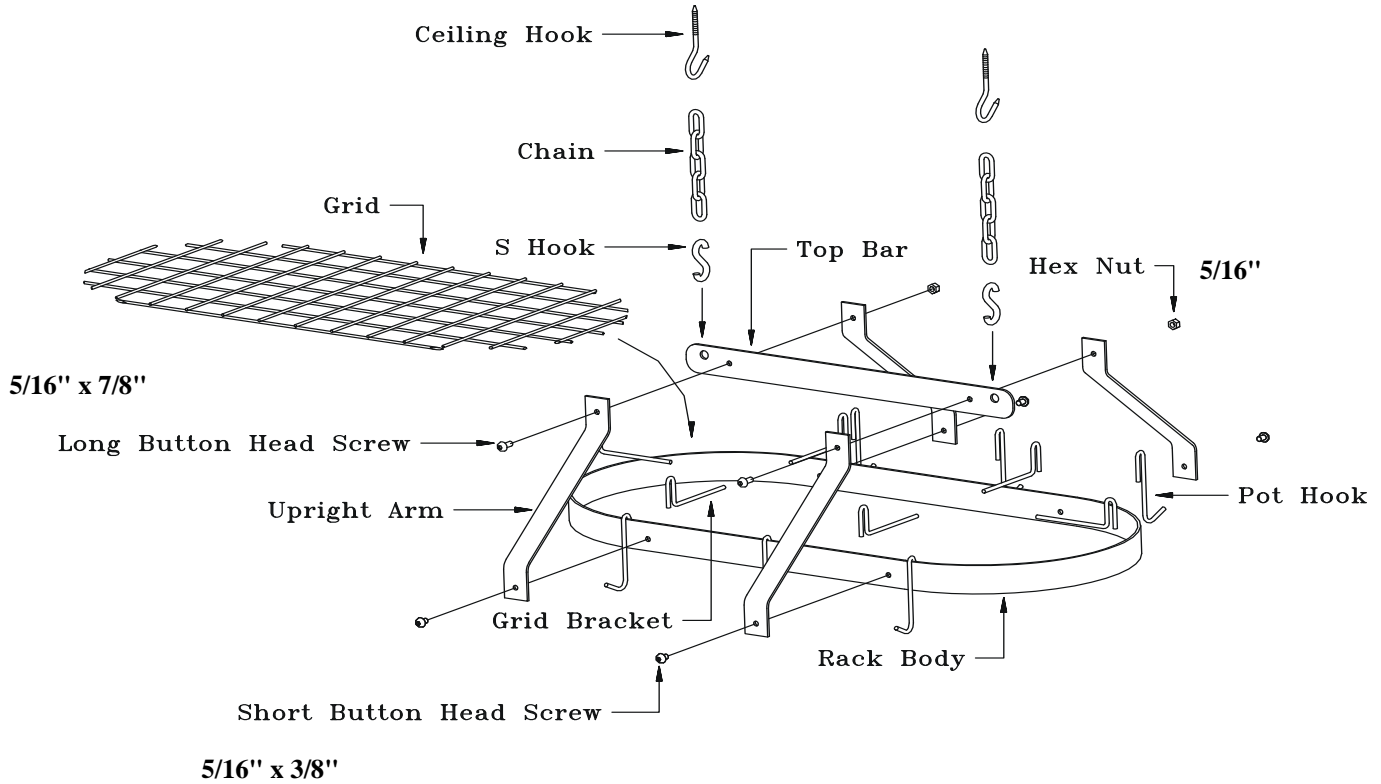
- 4 - Upright Arms
- 1 - Top Bar
- 1 - Oval Rack Body
- 6 - Grid brackets - EGB
- 12 - Pot hooks - EPHS
- 1 - Grid



### ASSEMBLY AND INSTALLATION INSTRUCTIONS

- 1) Lay rack body (oval) on firm surface. Protect surface with corrugated box if necessary.
- 2) Identify the four "Upright Arms." Using the 5/16" x 3/8" button head screws attach the uprights to the oval as shown. Do not fully tighten screws at this time.
- 3) Locate the "Top Bar" and attach to the four "Upright Arms" as shown in drawing using the two 5/16" x 7/8" button head screws and the two 5/16" hex nuts. Tighten all screws at this time
- 4) Your Rack may be carefully anchored into solid wood of the ceiling joist or beams. Carefully measure the area where the rack is to be hung and install the ceiling screw hooks (approximately 16" apart). If you are mounting in plasterboard, use the Toggles and follow the instruction provided in the kit.
- 5) Place the six grid brackets over the sides of the rack, two on each end of the oval and four just inside each of the upright arms with the straight end of the brackets facing towards the inside of the rack. Next place the grid on top of the grid brackets. (See note and drawing next page).
- 6) Insert the "S" hooks into each of the remaining holes in the top bar and the other end through one end of the chain. Carefully lift your rack into place and attach the other end of the chain onto the ceiling hooks.
- 7) Hang your heavier items on the straight portion of the rack body or the center of the grid area.
- 8) All of our hammered steel racks are finished with an industrial wax designed to give years of protection to the rack. Cleaning is easily done with a damp cloth. Dry thoroughly after cleaning. If a touch-up is ever needed we recommend a "Pledge" like wax product

**Note:** Grid as shown in drawings is upside down for illustration purposes. Please turn grid over so crossbars that extend the width of the grid are facing down. This will help to keep grid from sliding out of position when rack is in use.



It is important that your rack is assembled correctly. If the unit is assembled or used incorrectly, it could become unstable and collapse, possibly causing injury.

**Limited Warranty:** This product is warranted to be free of material defects for a period of five years from the date of purchase. Customer's exclusive remedy shall be the repair or replacement of the defective product and shall be subject to the following conditions: (1) notice of any defect is received by Enclume within the warranty period and (2) customer returns the defective product to Enclume Design Products, Inc., 24 Colwell St., Port Hadlock, WA 98339, *postage prepaid* within 20 days following a return authorization number (which may be obtained by telephoning the number at the bottom of this instructions) being provided to the customer by Enclume. There are no other warranties, expressed or implied. **THERE ARE NO WARRANTIES OF MERCHANTABILITY OR FITNESS FOR A PARTICULAR PURPOSE. ENCLUME SPECIFICALLY DISCLAIMS ANY AND ALL INCIDENTAL OR CONSEQUENTIAL DAMAGES ARISING OUT OF THE PURCHASE OR USE OF ENCLUME'S PRODUCTS.**

