

Enclume



Décor Utensil Rack DR11



Enclume Décor racks are the ultimate in quality, design, strength and function. Congratulations for owning one of the finest storage racks made.

WARNING:
READ ALL OF THE INSTRUCTIONS BEFORE ASSEMBLING AND USING YOUR RACK.

All of our hammered steel racks are finished with an industrial wax designed to give years of protection to the rack. Cleaning is easily done with a damp cloth. Dry thoroughly after cleaning. If a touch-up is ever needed we recommend a "Pledge" like wax product.

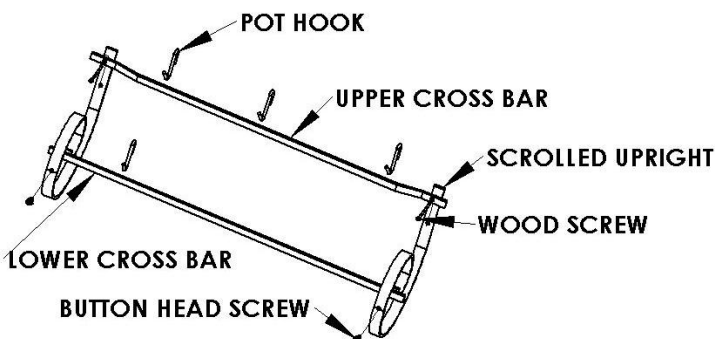
Enclosed you will find everything needed for the assembly and use of your pot rack. Two people make assembly and installation easier. The parts and hardware included are:

Hardware included:

- 1 – Toggle Pack
- 2 – ¼" x ½" Button Head Screws
- 12 - DRPHS Pot Hooks
- 1 – 5/32" Hex Wrench

Components included:

- 2 – Scroll Uprights
- 1 – Upper Cross Bar
- 1 – Lower Cross Bar



ASSEMBLY AND INSTALLATION INSTRUCTIONS

- 1) Insert ¼" x ½" Button Head screws into lower crossbar to attach to scroll uprights and tighten.
- 2) We recommend that you anchor your rack into the solid wood of wall studs. Carefully measure the area where the rack is to be mounted and install the lag bolts directly into the wood studs. If it is not convenient to install your rack directly into wood studs you may use the new-technology DRYWALL anchors enclosed with your rack. The steel anchors are very strong and when installed in drywall will hold 100 lbs. each. Two anchors hold about 200 lbs. Follow the instructions in the Toggler kit.



It is important that your rack is assembled correctly. If the unit is assembled or used incorrectly, it could become unstable and collapse, possibly causing injury.

Limited Warranty: This product is warranted to be free of material defects for a period of five years from the date of purchase. Customer's exclusive remedy shall be the repair or replacement of the defective product and shall be subject to the following conditions: (1) notice of any defect is received by Enclume within the warranty period and (2) customer returns the defective product to Enclume Design Products, Inc. , 24 Colwell St. , Port Hadlock, WA 98339, *postage prepaid* within 20 days following a return authorization number (which may be obtained by telephoning the number at the bottom of this instructions) being provided to the customer by Enclume. There are no other warranties, expressed or implied. **THERE ARE NO WARRANTIES OF MERCHANTABILITY OR FITNESS FOR A PARTICULAR PURPOSE. ENCLUME SPECIFICALLY DISCLAIMS ANY AND ALL INCIDENTAL OR CONSEQUENTIAL DAMAGES ARISING OUT OF THE PURCHASE OR USE OF ENCLUME'S PRODUCTS.**

