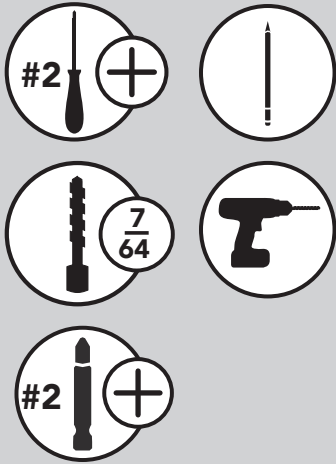


REV·A·SHELF®

INSTALLATION INSTRUCTIONS

WOOD TWO-TIERED DRAWER

TOOLS REQUIRED:



JUST ADD
YOUR OWN
DRAWER
FRONT!



4WTCD-343FLSC

4WTCD-419FL

4WTCD-495FL

4WTCD-572FL



4WTCD-15



4WTCD-18



4WTCD-21



4WTCD-24



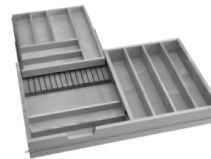
4WTCD-30



4WTCD-36



4WTCD-18-KCUP



ESTIMATED ASSEMBLY TIME:

20 MIN

CARE AND MAINTENANCE:

Clean with a damp cloth and wipe parts dry.

NOTE:

The wood two-tiered drawer is designed to use either BLUMOTION 563F5330B under mount slides or Grass Elite 7523-19/550/533 under mount slides.

4WTCD-30 & 4WTCD-36 with BLUMOTION slides require an additional stabilizer bar which is included in the kit purchase.

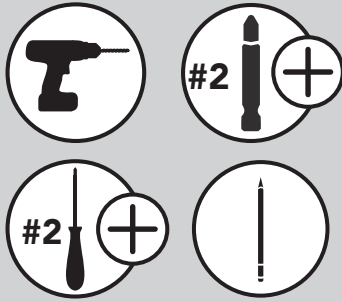
THE WOOD TWO-TIERED DRAWER (WTCD) IS DESIGNED TO USE UNDER MOUNT FULL-EXTENSION DRAWER HARDWARE ONLY. IF YOU ARE REPLACING A DRAWER BOX THAT DOES NOT CURRENTLY USE FULL-EXTENSION (FX) OR PREMIUM GUIDE (PG) HARDWARE YOU WILL NEED TO ORDER A DRAWER GUIDE KIT (DGK).

STEP 1

Remove existing drawer box from cabinet by squeezing the drawer locking devices and pulling the drawer box forward.

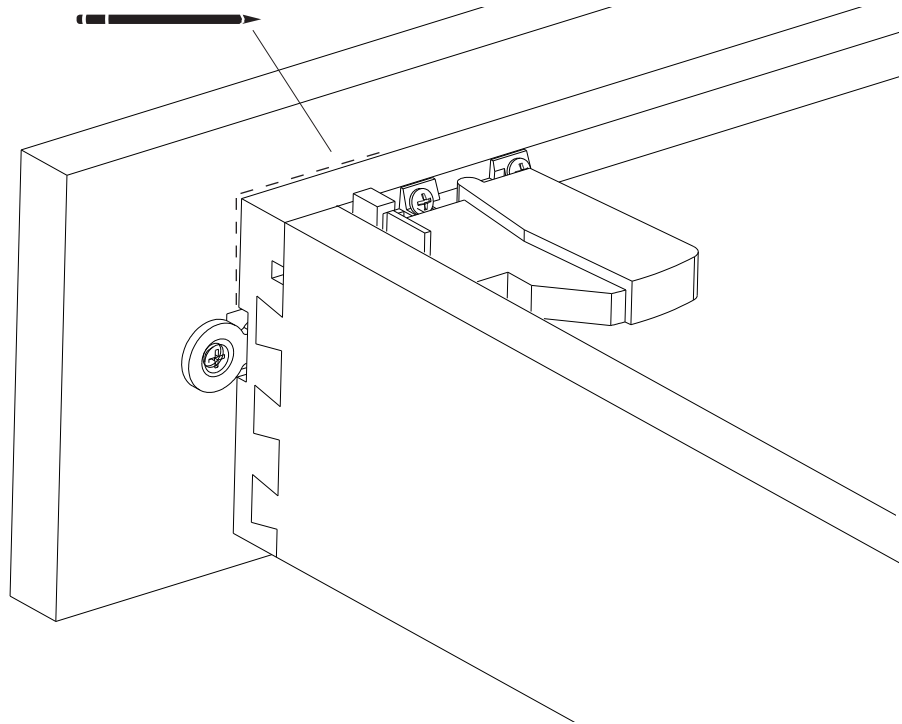
Using a pencil trace around the bottom two corners of the drawer and onto the back of the drawer front.

Remove the screws that secure the drawer front to the drawer box. Also remove the two drawer locking devices by removing the two screws that secure each locking device to the bottom front edge of the drawer box. Discard the existing drawer box.



Bottom view

FIG. 1



Note: Not all existing drawer boxes will have release triggers like the ones shown in FIG. 1. A EURO Roller slide or various other drawer slides may be used and involve alternate removal methods. If your existing Drawer box is without triggers underneath the box, their may be locking devices located on the slides elsewhere.

STEP 2

Remove the slide triggers from their wrapping.

Turn your wood two-tiered drawer box over and locate the pre-drilled holes on the front lip of the box.

Using the provided screws, attach your left and right sided triggers.

NOTE
Release triggers are side sensitive and are marked with an "L" & "R" for Left and Right.

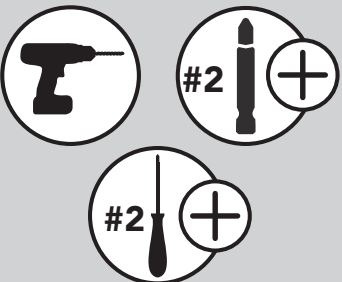
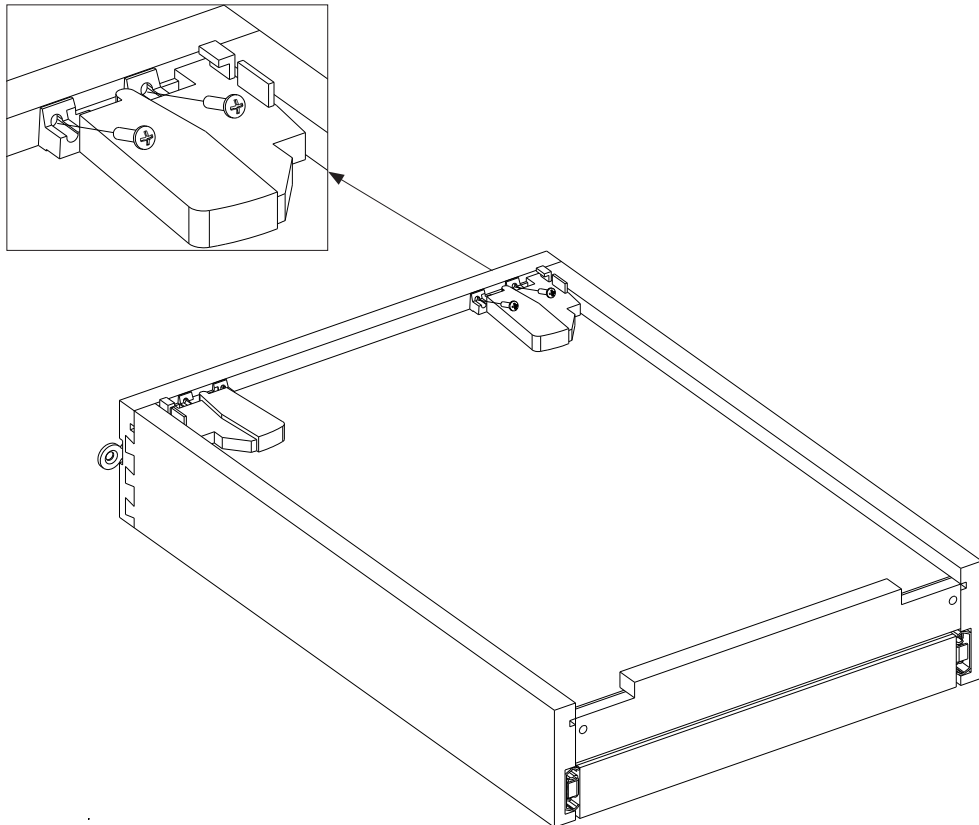


FIG. 2



STEP 3

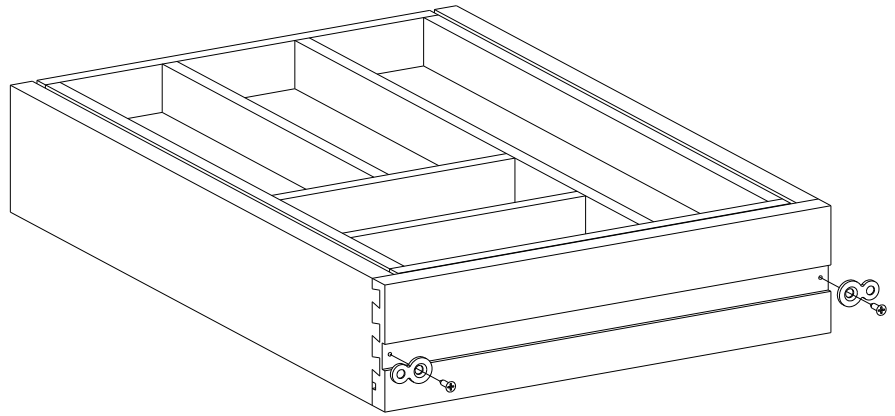
Secure a Figure 8 fastener on each side of the drawer box front using the pre-drilled pilot hole as a locator.

Once the (2) Figure 8 fasteners have been secured to the drawer box place the drawer box on the back of the drawer front from Step one.

Align the bottom (2) corners of the drawer box with the pencil marks. Drill a 7/64" dia. X 3/8" deep pilot hole through the middle of each fastener and into the back of the front. Be careful to not drill through the drawer front. Secure the drawer box to the drawer front with the (2) Phillips head screws using remaining smaller diameter holes in the Figure 8 fasteners. See Fig. 3b.

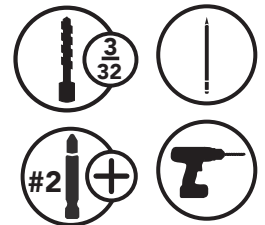
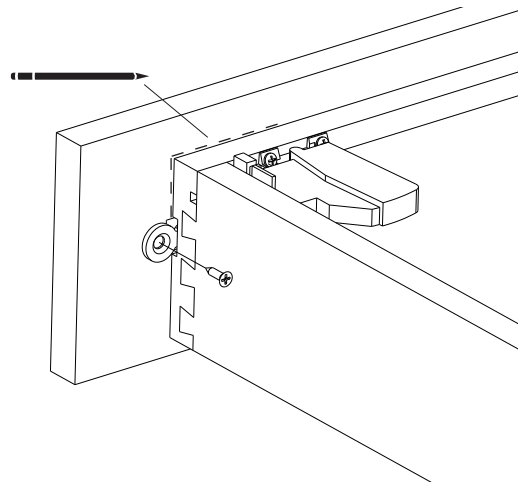
Please refer to your "How to install Blum Slides" instruction sheet if you purchased the WCTD with Blum® slides. Otherwise proceed on to step four.

FIG. 3a



Note: The larger diameter portion of Figure 8 fastener should be oriented towards the center of the drawer box with the counter sunk side visible and facing outward. See Fig. 3a.

FIG. 3b



STEP 4

Place the WTCD with drawer front attached into the cabinet by sliding the box onto the hardware until the hooks engage the holes drilled in the back of the drawer box. You will hear a "click" when the drawer box and hardware is fully engaged. You may need to squeeze the locking device releases and push back to ensure the hardware is engaged.

The drawer box can be removed by squeezing the arms on the locking devices and pulling forward. Once the drawer is installed the corners can be raised/lowered by up to 1/8" by sliding the vertical adjustment lever forward/backward. Adjust as necessary to ensure the drawer front aligns with the adjacent cabinets. See Fig.4

FIG. 4

