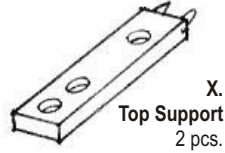
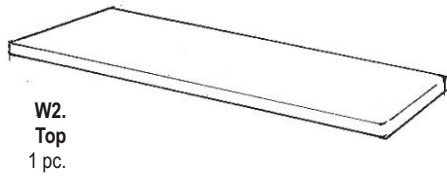


88 9100 101 C

Solid Wood Top

PART LIST



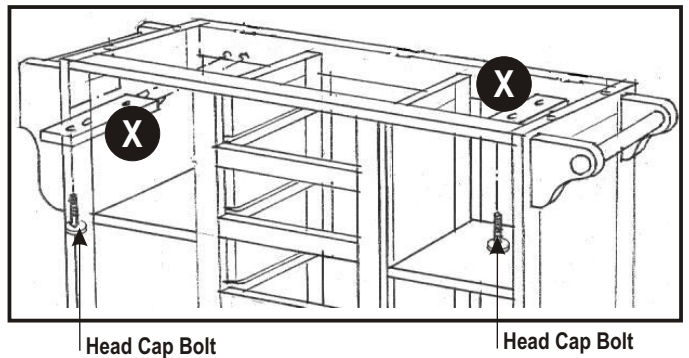
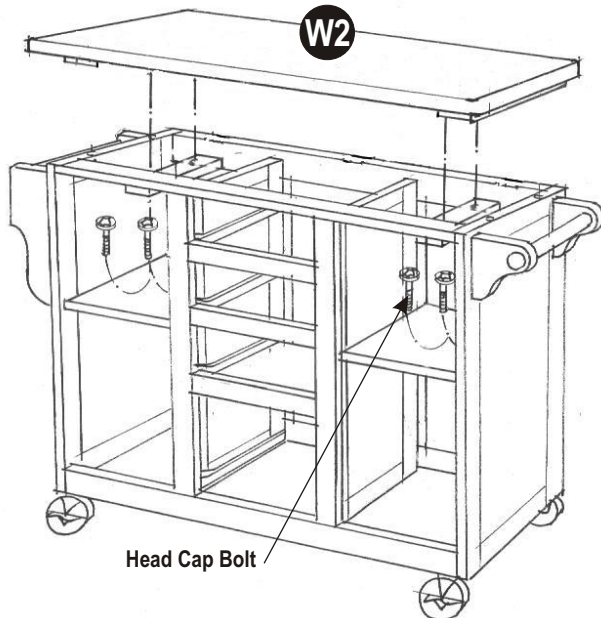
HARDWARE LIST



Assembly Instructions

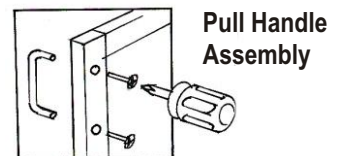
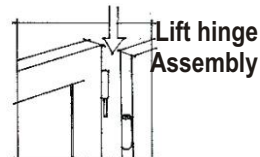
STEP 1

Attach the Top Support (X) to the unit with Head Cap Bolts.



STEP 2

Place the Top (W2) on the unit, then tighten the Head Cap Bolts.



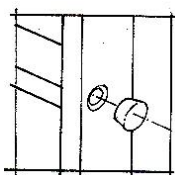
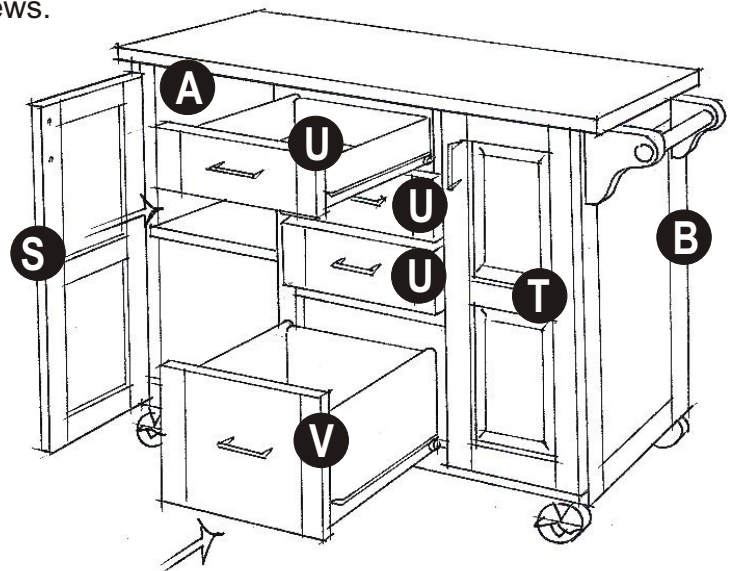
STEP 3

Attach the Pull Handles to the Door (S) and (T) using the Machine Screws.

Attach the Door (S) and (T) to the Side Panel (A) and (B), slide the door lift hinges into the side frame lift hinges.

See Assembly Instructions for Drawers in the separate carton.

Slide the Drawers (U) and (V) into place.



STEP 4

Cover all holes with Wood Plugs