

# 88 5002 941

## Kitchen Island Combo

### X



#### IMPORTANT NOTE

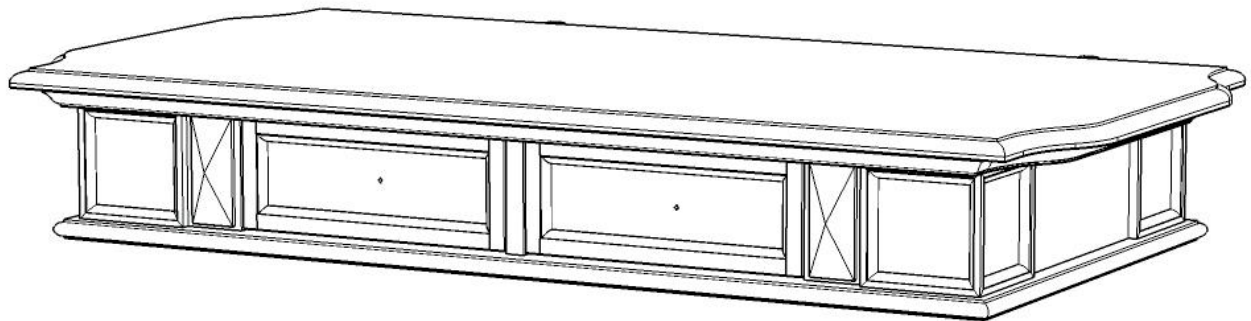
Carefully remove all the parts from the carton and put them individually on a soft cloth to prevent scratches or other damages occurring to the wood parts.

We have taken great care in the design of this product and request that you carefully and strictly follow our assembly instructions to ensure a completed product as it was designed.



Casual Attire For Today's Home

## Part List



**A.**  
**Top Unit**  
1 pc.

**For assembly see instructions in carton 88 5002 943**

Tools required for assembly: Phillips screwdriver

# 88 5002 942

## Kitchen Island Combo

### IMPORTANT NOTE

Carefully remove all the parts from the carton and put them individually on a soft cloth to prevent scratches or other damages occurring to the wood parts.

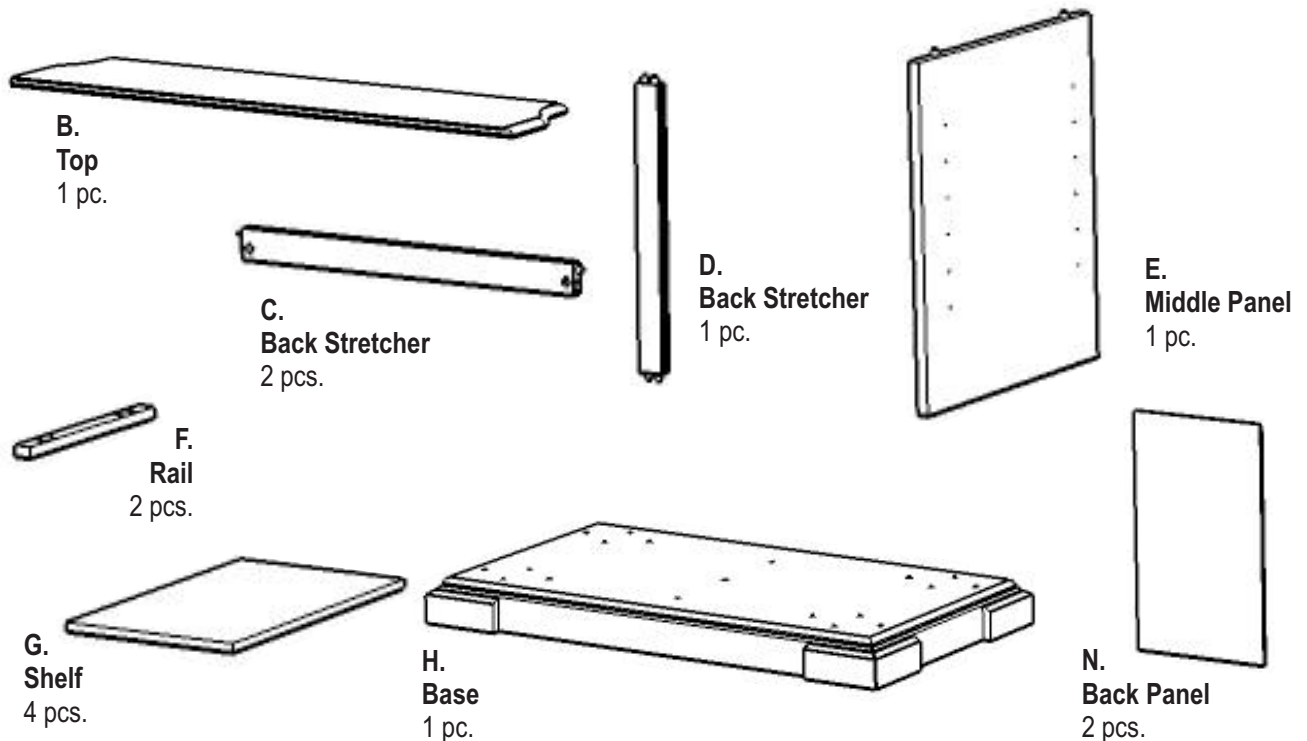
We have taken great care in the design of this product and request that you carefully and strictly follow our assembly instructions to ensure a completed product as it was designed.



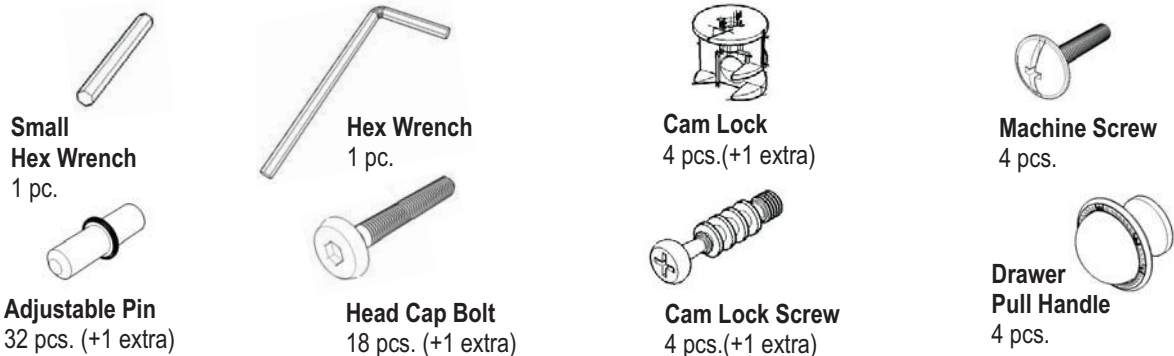
Casual Attire For Today's Home



### Part List (in this carton)



### Hardware List



**For assembly see instructions in carton 88 5002 943**

Tools required for assembly: Phillips screwdriver

# 88 5002 943

## Kitchen Island Combo



### IMPORTANT NOTE

Carefully remove all the parts from the carton and put them individually on a soft cloth to prevent scratches or other damages occurring to the wood parts.

We have taken great care in the design of this product and request that you carefully and strictly follow our assembly instructions to ensure a completed product as it was designed.



Casual Attire For Today's Home

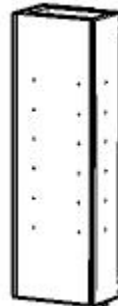
## Part List (in this carton)



I.  
**Leg**  
1 pc.



J.  
**Leg**  
1 pc.



K.  
**Leg**  
1 pc.



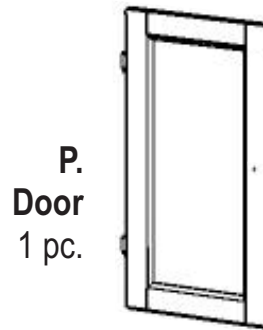
L.  
**Leg**  
1 pc.



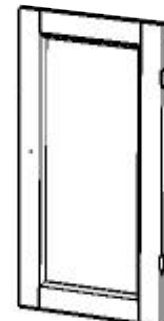
M.  
**Side Panel**  
2 pcs.



O.  
**Shelf**  
4 pcs.



P.  
**Door**  
1 pc.



Q.  
**Door**  
1 pc.

## Also need the following from carton 88 5002 941, 88 5002 942

### Part List in carton 88 5002 941

Top Unit (A) 1 pc.

### Part List in carton 88 5002 942

Top (B) 1 pc.

Back Stretcher (C) 2 pcs.

Back Stretcher (D) 1 pc.

Middle Panel (E) 1 pc.

Rail (F) 2 pcs.

Shelf (G) 4 pcs.

Base (H) 1 pc.

Back Panel (N) 2 pcs.

### Hardware List in carton 88 5002 942

Hex Wrench 1 pc.

Small Hex Wrench 1 pc.

Cam Lock 5 pcs.

Cam Lock Screw 5 pcs.

Head Cap Bolt 19 pcs.

Adjustable Pin 33 pcs.

Machine Screw 4 pcs.

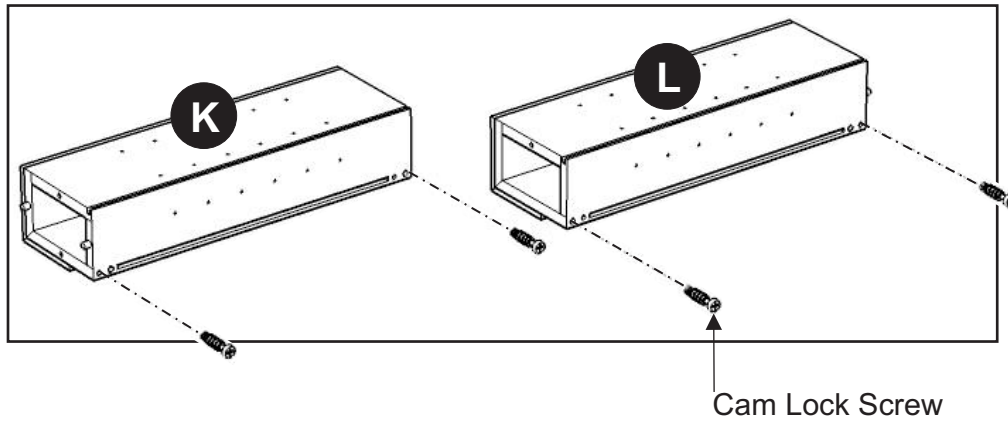
Drawer Pull Handle 4 pcs.

## Assembly Instructions 2/4

**IMPORTANT**

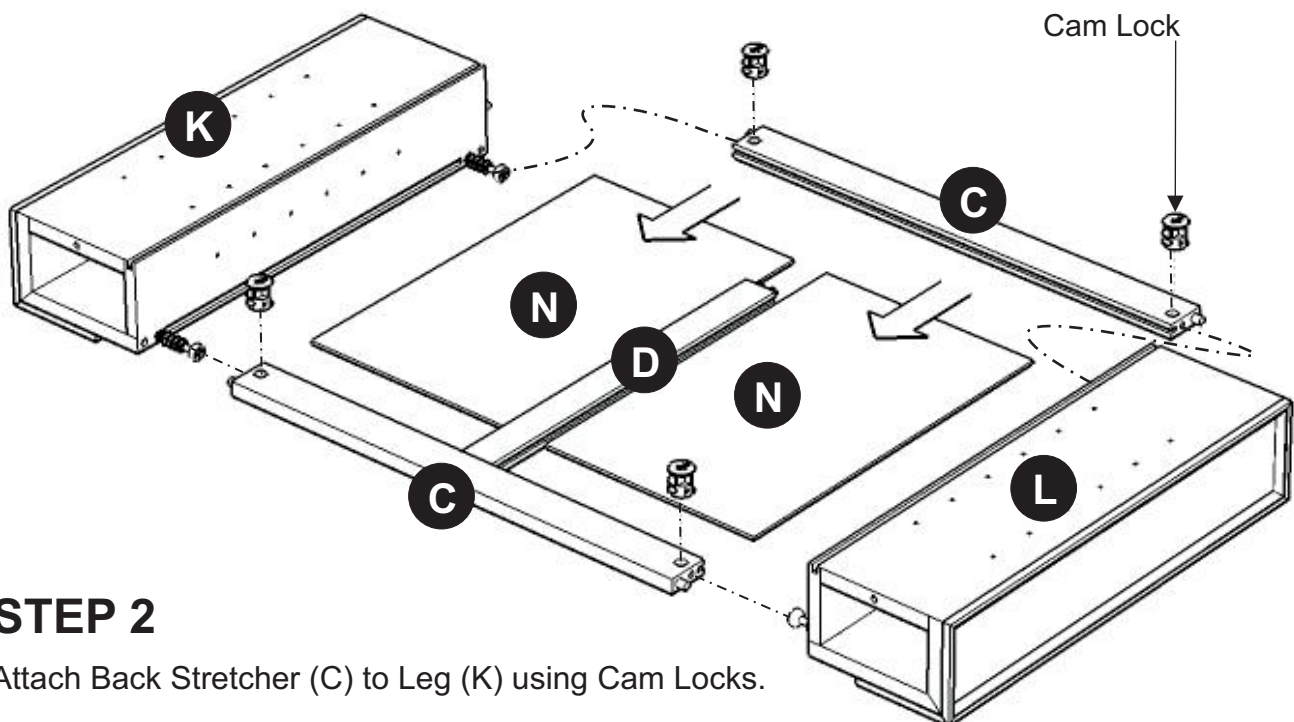
*Do not tighten up all the screws until each part is properly assembled.*

*You should keep Hex Wrench in the safe place as you may need to tighten up the Head Cap Bolts in the future.*



### STEP 1

Put Cam Lock Screws into the pre-drilled holes of Leg (K),(L) and tighten.



### STEP 2

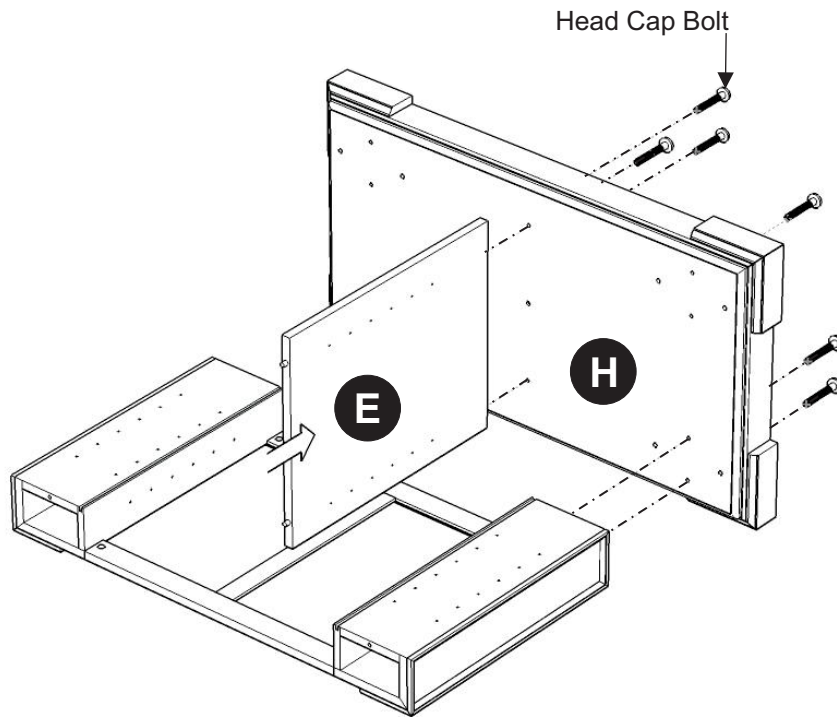
Attach Back Stretcher (C) to Leg (K) using Cam Locks.

Attach Back Stretcher (D) to Back Stretcher (C).

Slide Back Panel (N) to unit, then attach Back Stretcher (C) to unit using Cam Locks.

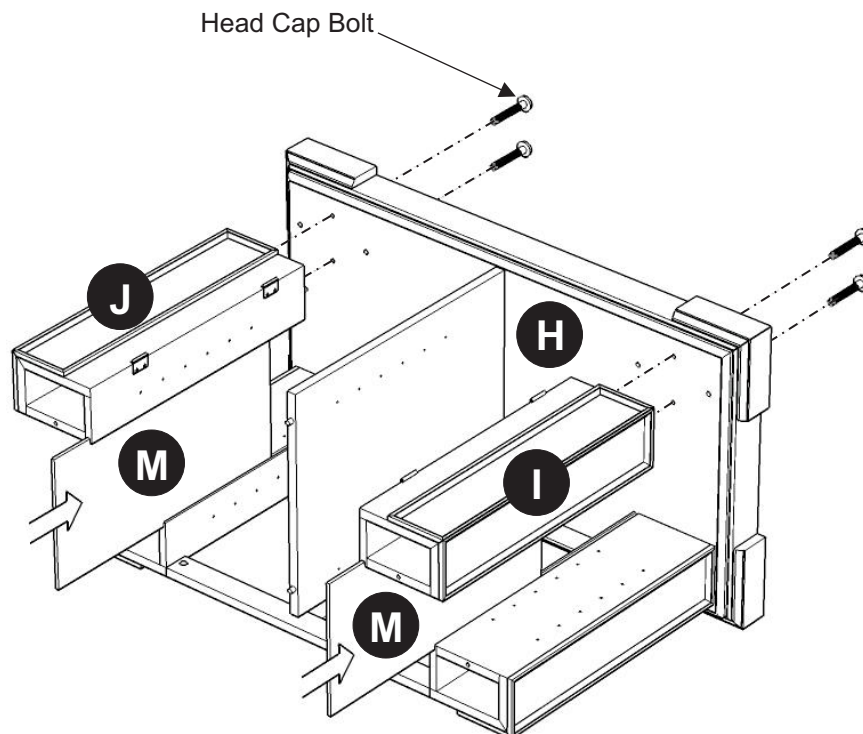
Attach Leg (L) to the unit using Cam Locks.

## Assembly Instructions 3/4



### STEP 3

Attach unit from Step 2 and Middle Panel (E) to Base (H) with Head Cap Bolts.



### STEP 4

Attach Leg (I) and (J) to Base (H) with Head Cap Bolts.

Slide Side Panels (M) into position.



# Assembly Instructions 4/4

## STEP 5

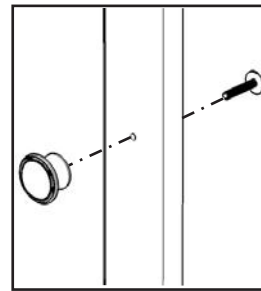
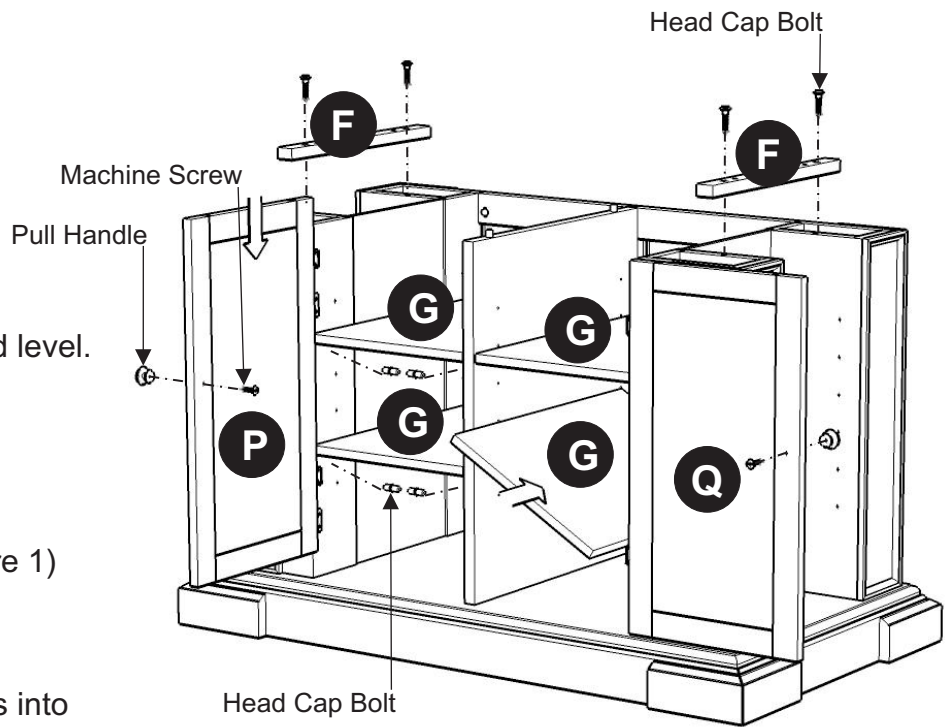
Attach Rail (F) to unit with Head Cap Bolts.

Insert Adjustable Pins Into both side panels and Middle Panels at the desired level.

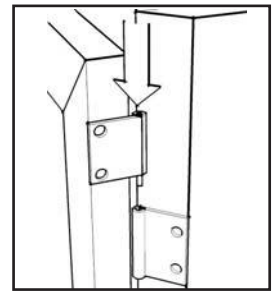
Slide Shelf (G) into place.

Assemble Pull Handle to Door (P) and (Q) with Machine Screws. (see Figure 1)

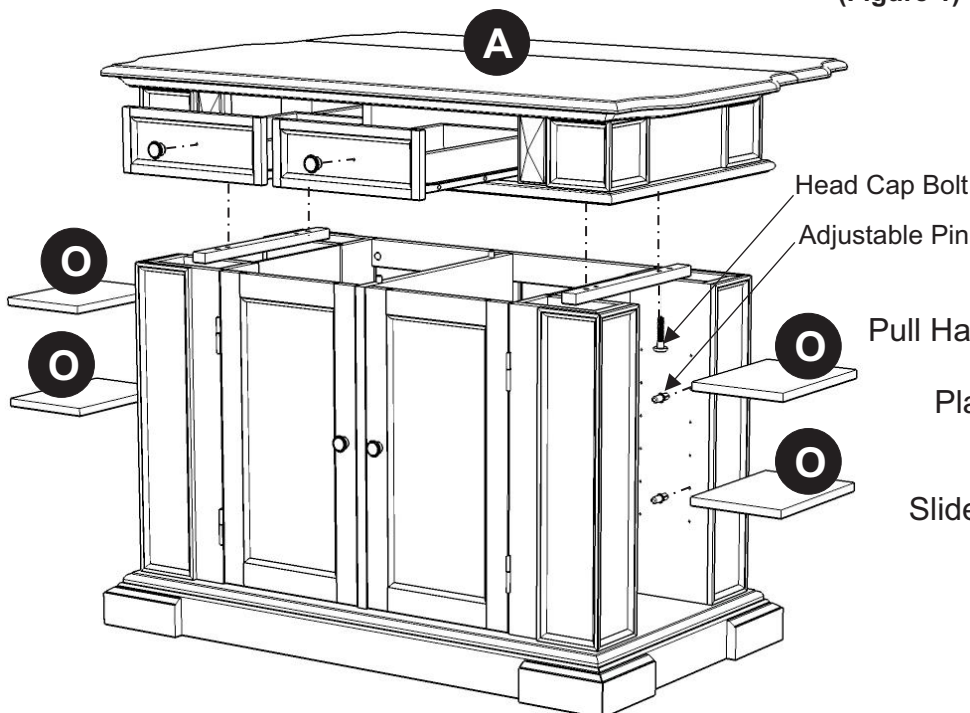
Attach Door (P) and (Q) to the side panels by sliding the door lift hinges into the side panel lift hinges. (see Figure 2)



(Figure 1)



(Figure 2)



## STEP 6

Remove the drawers in Top Unit (A) and assemble Pull Handle with Machine Screws.

Place Top (A) on the unit with Head Cap Bolts.

Slide the Drawers into position.

Insert Adjustable Pins Into both side panels at the desired level.

Slide Shelf (O) into Place.