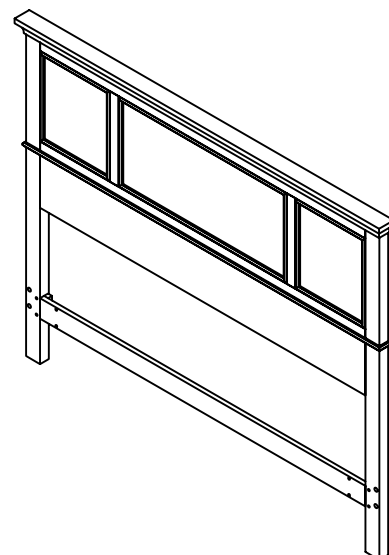


88 5531 501 Bedford Queen Headboard (Ebony Finish)



IMPORTANT NOTE

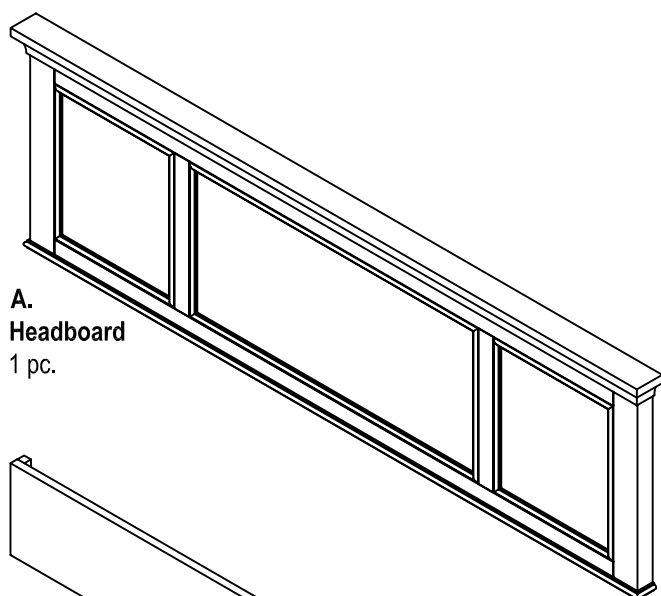
Carefully remove all the parts from the carton and put them individually on a soft cloth to prevent scratches or other damages occurring to the wood parts.

We have taken great care in the design of this product and request that you carefully and strictly follow our assembly instructions to ensure a completed product as it was designed.

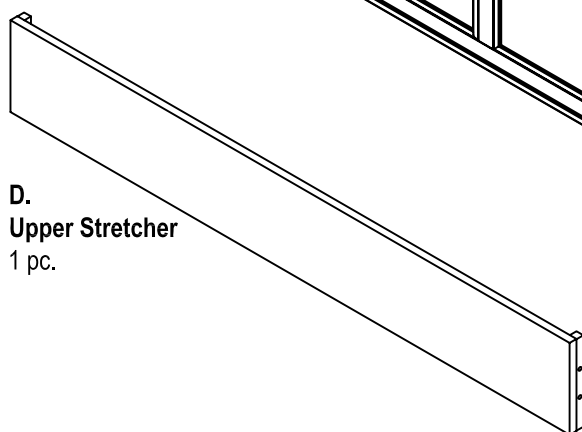


Casual Attire For Today's Home

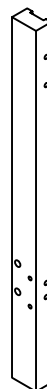
Part List



A.
Headboard
1 pc.



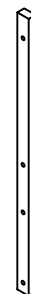
D.
Upper Stretcher
1 pc.



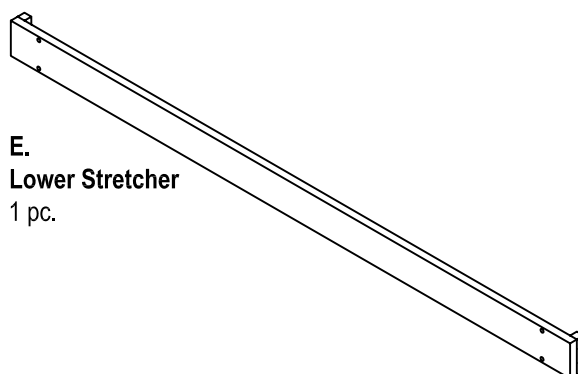
B.
Leg
1 pc.



C.
Leg
1 pc.



F.
Back Support
2 pcs.

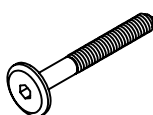


E.
Lower Stretcher
1 pc.

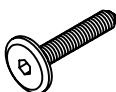
Hardware List



Allen Key
1 pc.



Bolt (Long)
8 pcs. (+1 extra)



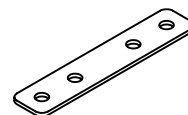
Bolt (Middle)
8 pc. (+1 extra)



Bolt (Short)
8 pcs. (+1 extra)



Flat Washer
8 pcs. (+1 extra)



Back Bracket
2 pcs.

Assembly Instructions 2/2

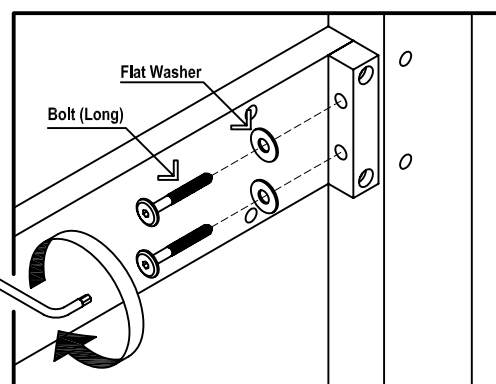
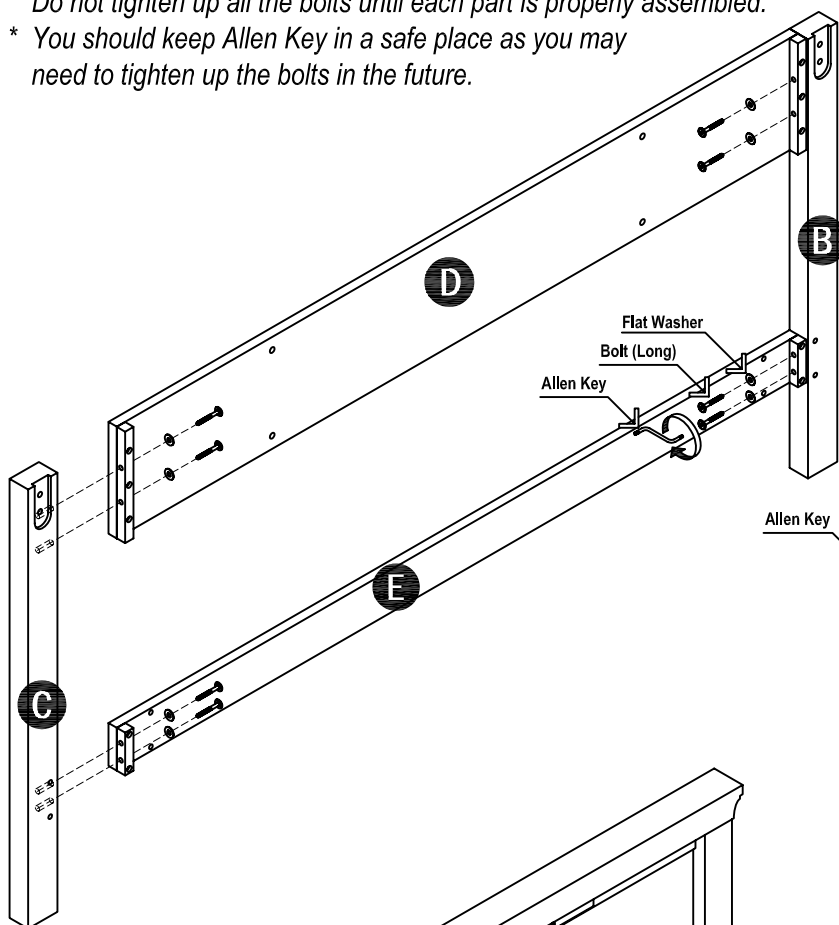
IMPORTANT

- * Do not tighten up all the bolts until each part is properly assembled.
- * You should keep Allen Key in a safe place as you may need to tighten up the bolts in the future.

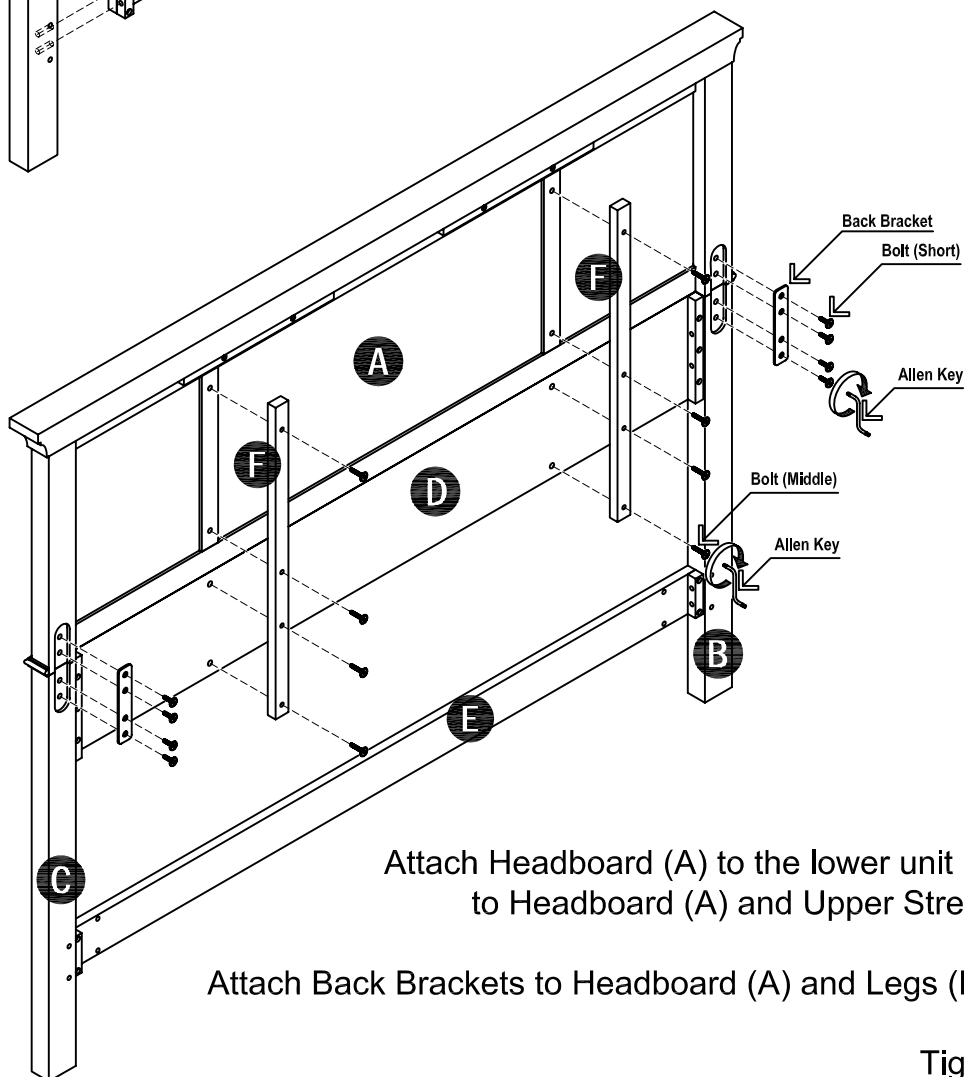
STEP 1

Attach Legs (B) and (C) to Upper Stretcher (D) and Lower Stretcher (E) with Bolts (Long) and Flat Washers.

Turn Bolt clockwise using Allen Key (See figure 1)



(Figure 1)



STEP 2

Attach Headboard (A) to the lower unit by attaching Back Support (F) to Headboard (A) and Upper Stretcher (D) using Bolts (Middle).

Attach Back Brackets to Headboard (A) and Legs (B) and (C) using Bolts (Short).

Tighten all Bolts using Allen Key.