

# 88 5180 80

## Art & Crafts Side Chair

X

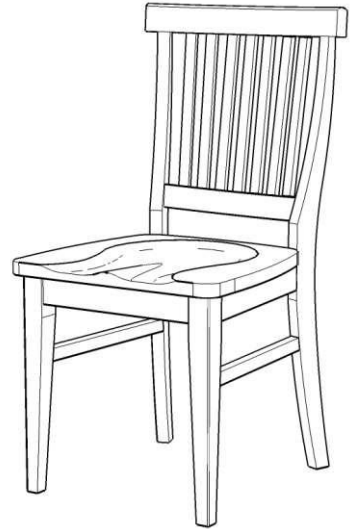
### IMPORTANT NOTE

Carefully remove all the parts from the carton and put them individually on a soft cloth to prevent scratches or other damages occurring to the wood parts.

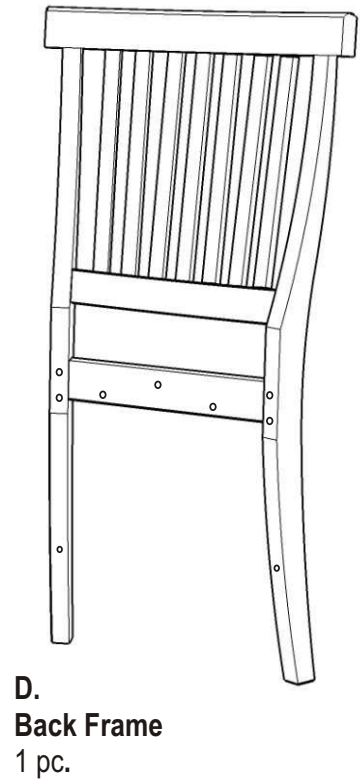
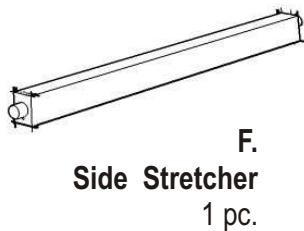
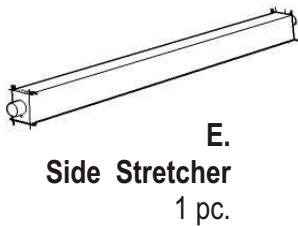
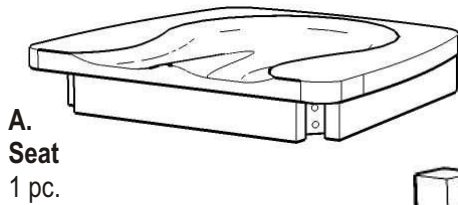
We have taken great care in the design of this product and request that you carefully and strictly follow our assembly instructions to ensure a completed product as it was designed.



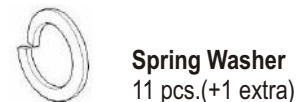
Casual Attire For Today's Home



## Part List



## Hardware List



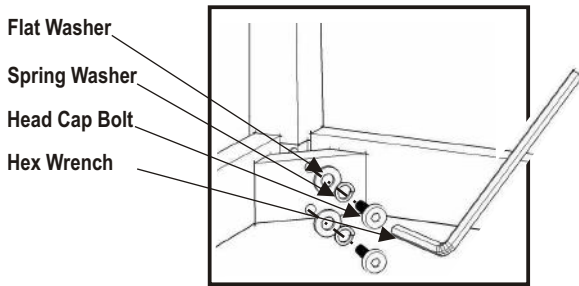
Tools required for assembly : Phillips screwdriver

# Assembly Instructions

**IMPORTANT**

\* Do not tighten up all the screws until each part is properly assembled.

\* You should keep Hex Wrench in a safe place as you may need to tighten up the Head Cap Bolts in the future.



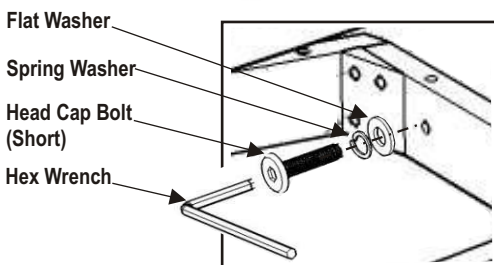
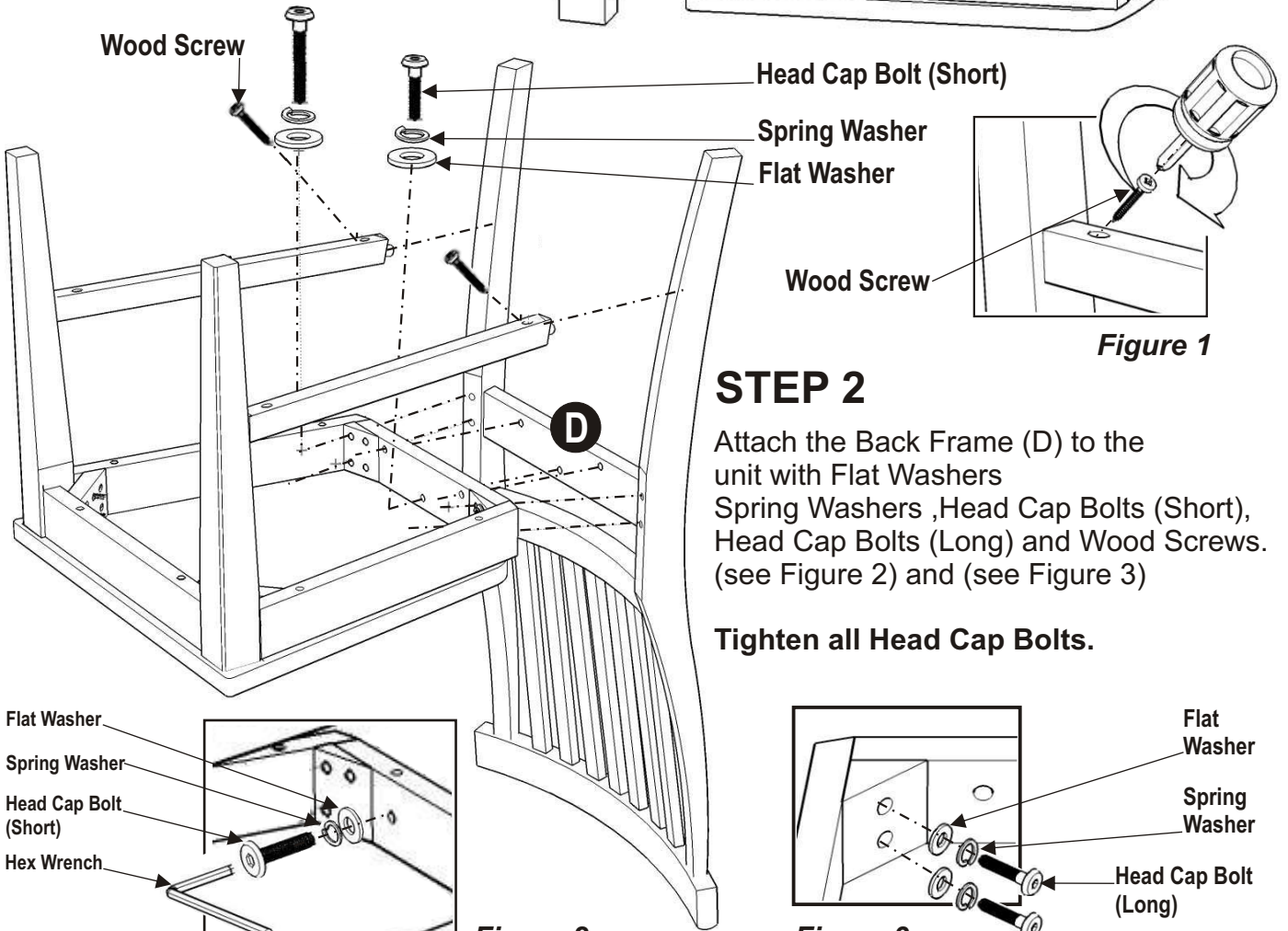
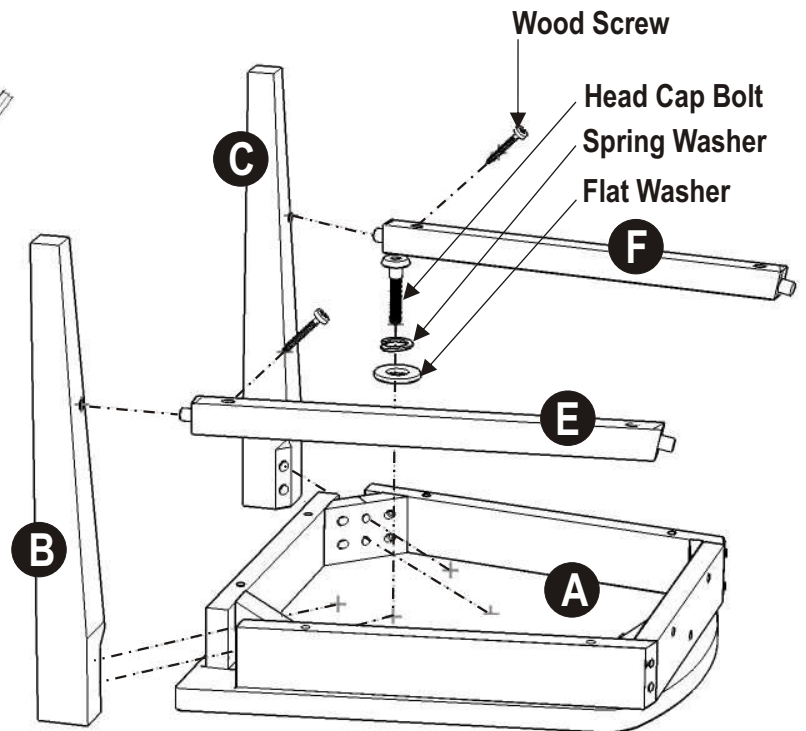
**Head Cap Bolt Assembly  
(Legs Part)**

**STEP 1**

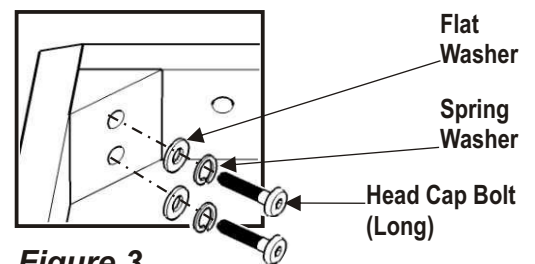
Attach Leg (B) and (C) to Seat (A) with Flat Washers, Spring Washers and Head Cap Bolts.

Tighten Head Cap Bolts only half way.

Attach Side Stretcher (F) to Leg (C) and Side Stretcher (E) to Leg (B) with Wood Screws.(see Figure 1)



**Figure 2**



**Figure 3**

**STEP 2**

Attach the Back Frame (D) to the unit with Flat Washers, Spring Washers, Head Cap Bolts (Short), Head Cap Bolts (Long) and Wood Screws. (see Figure 2) and (see Figure 3)

**Tighten all Head Cap Bolts.**

**Figure 1**