

88 5530 101

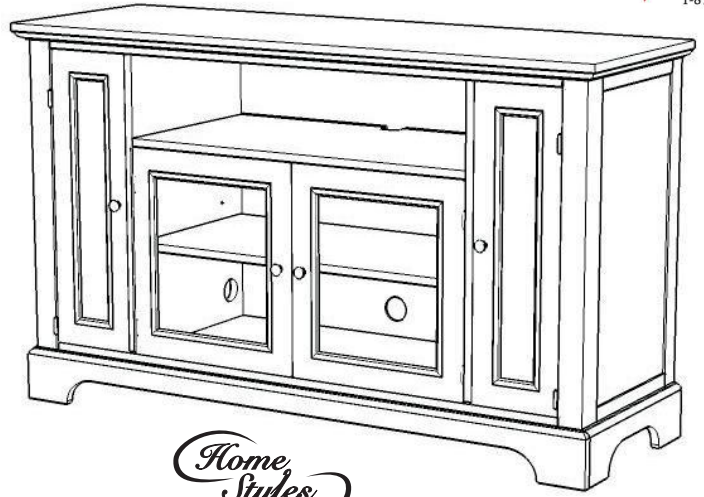
Naples

Entertainment Credenza (White Finish)

IMPORTANT NOTE

Carefully remove all the parts from the carton and put them individually on a soft cloth to prevent scratches or other damages occurring to the wood parts.

We have taken great care in the design of this product and request that you carefully and strictly follow our assembly instructions to ensure a completed product as it was designed.

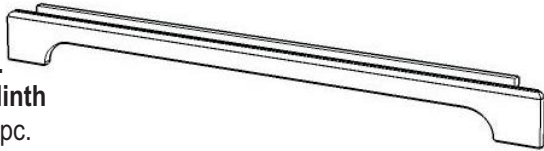


Casual Attire For Today's Home

Part List



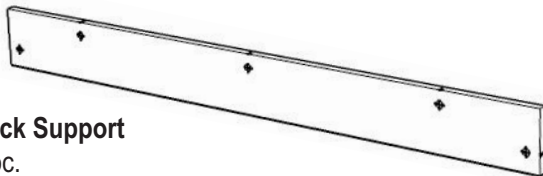
A.
Top
1 pc.



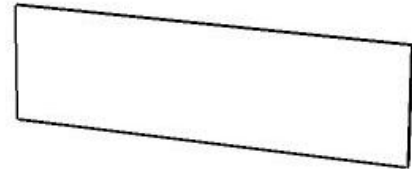
H.
Plinth
1 pc.



I.
Base
1 pc.



R.
Back Support
1 pc.



J.
Back Panel
1 pc.

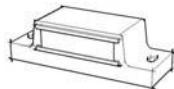


K.
Back Panel
2 pcs.

Hardware List



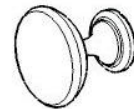
Cam Lock Screw
28 pcs.(+1 extra)



Magnet
4 pcs.



Adjustable Pin
20 pcs.(+1 extra)



Pull Handle
4 pcs.



Cam Lock
28 pcs.(+1 extra)



**Wood Screw
for Magnet**
8 pcs.(+1 extra)



**Wood Screw
for Back Panel**
12 pcs.(+1 extra)



Machine Screw
4 pcs.

For assembly see instructions in carton 88 5530 102

Tools required for assembly: **Phillips** screwdriver

88 5530 102

Naples

Entertainment Credenza
(White Finish)

IMPORTANT NOTE

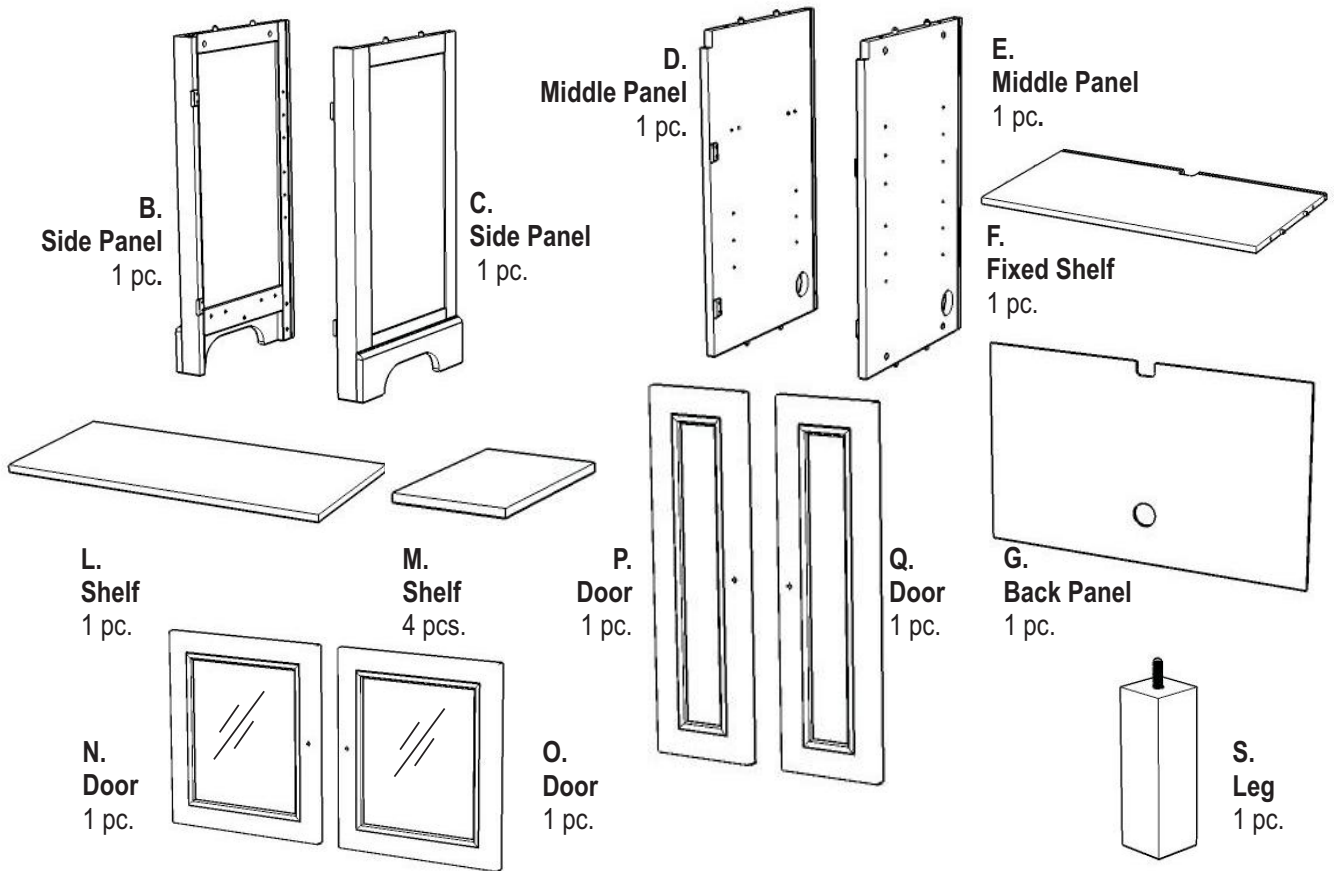
Carefully remove all the parts from the carton and put them individually on a soft cloth to prevent scratches or other damages occurring to the wood parts.

We have taken great care in the design of this product and request that you carefully and strictly follow our assembly instructions to ensure a completed product as it was designed.



Casual Attire For Today's Home

Part List (in this carton)



Also need the following from carton 88 5530 101 :

Part List in carton 88 5530 101

Top (A)	1 pc.
Plinth (H)	1 pc.
Base (I)	1 pc.
Back Panel (J)	1 pc.
Back Panel (K)	2 pcs.
Back Support (R)	1 pc.

Hardware List in carton 88 5530 101

Cam Lock Screw	29 pcs.
Cam Lock	29 pcs.
Magnet	4 pcs.
Wood Screw for Magnet	9 pcs.
Wood Screw for Back Panels	13 pcs.
Adjustable Pin	21 pcs.
Pull Handle	4 pcs.
Machine Screw	4 pcs.

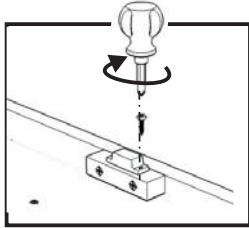
Tools required for assembly : **Phillips** screwdriver

Assembly Instructions 2/4

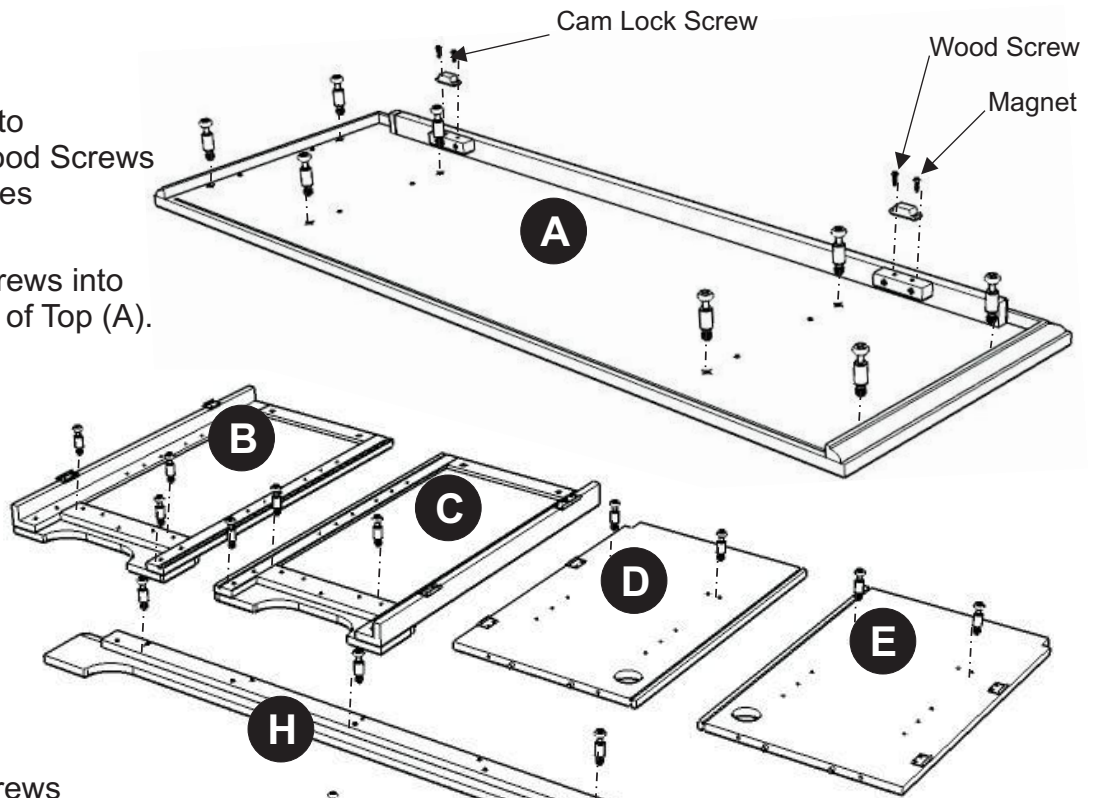
STEP 1

Attach 2X Magnets to Top (A) by using Wood Screws in the pre-drilled holes (See figure 1).

Insert Cam Lock Screws into the pre-drilled holes of Top (A).

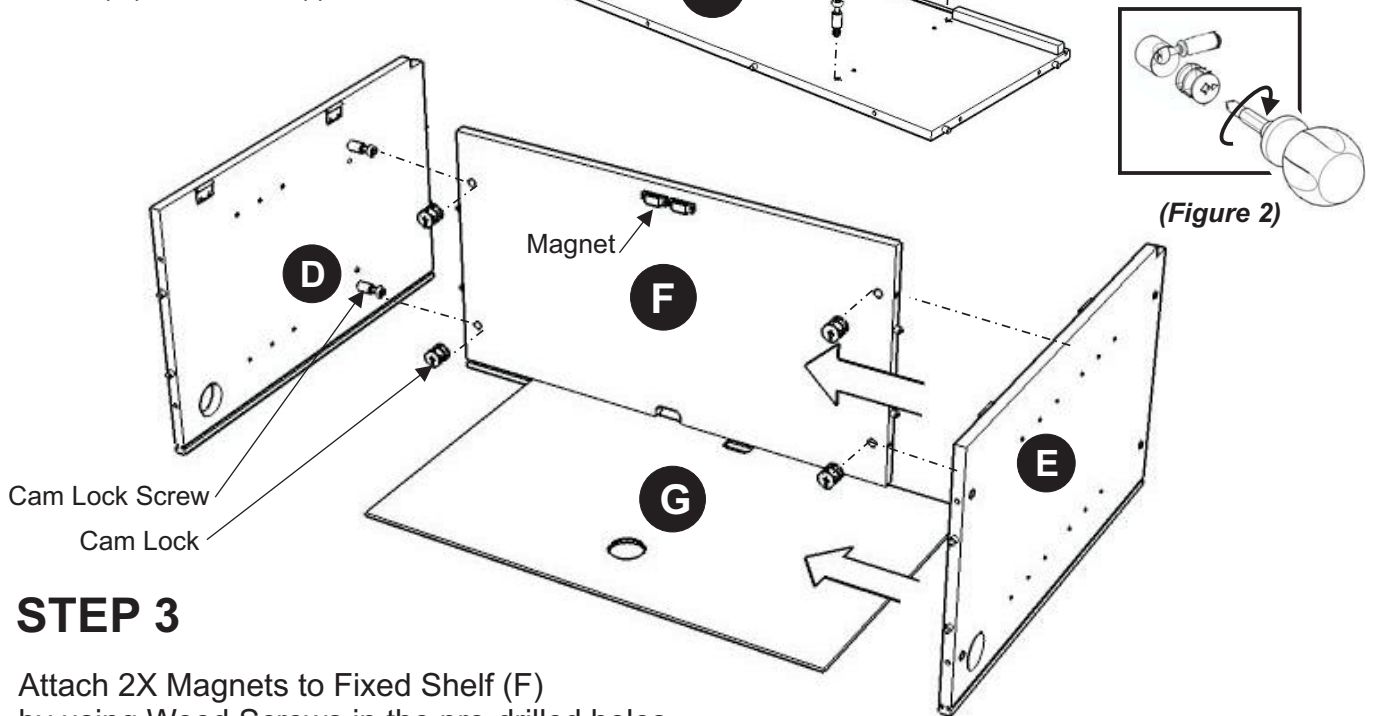


(Figure 1)



STEP 2

Insert Cam Lock Screws into the pre-drilled holes of Side Panel (B) and (C), Middle Panel (D) and (E), Plinth (H) and Base (I).



Cam Lock Screw
Cam Lock

(Figure 2)

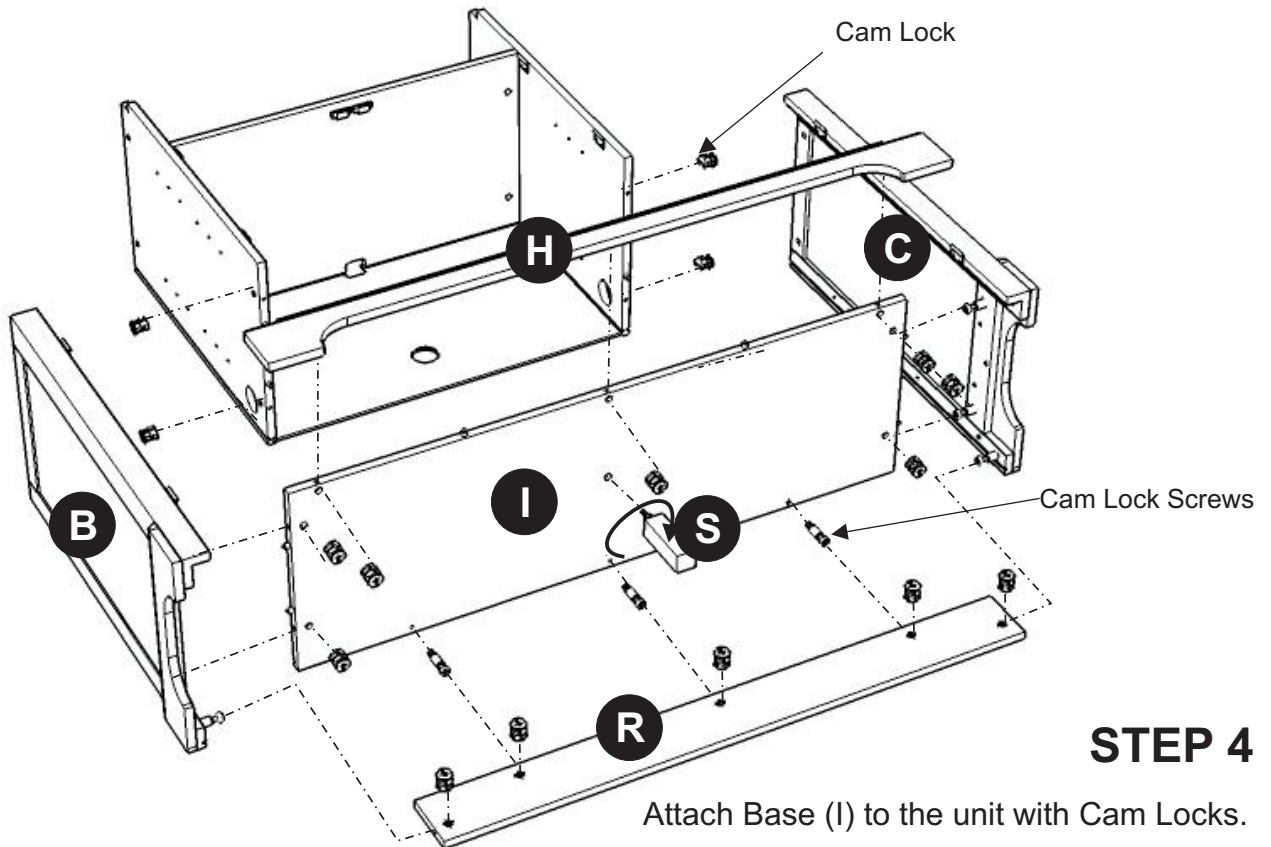
STEP 3

Attach 2X Magnets to Fixed Shelf (F) by using Wood Screws in the pre-drilled holes.

Attach Fixed Shelf (F) to Middle Panel (D) with Cam Locks (See figure 2), then slide Back Panel (G) into position.

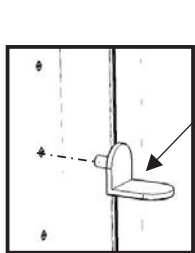
Attach Middle Panel (E) to the unit with Cam Locks.

Assembly Instructions 3/4



Put 3X Cam Lock Screws into the pre-dilled holes of Base (I) as shown, then attach Back Support (R) to Base (I) with Cam Locks and attach Side Panel (B) and (C), Plinth (H) to the unit with Cam Locks.

Tighten up Leg (S) in the pre-dilled hole of unit as shown.



(Figure 3)

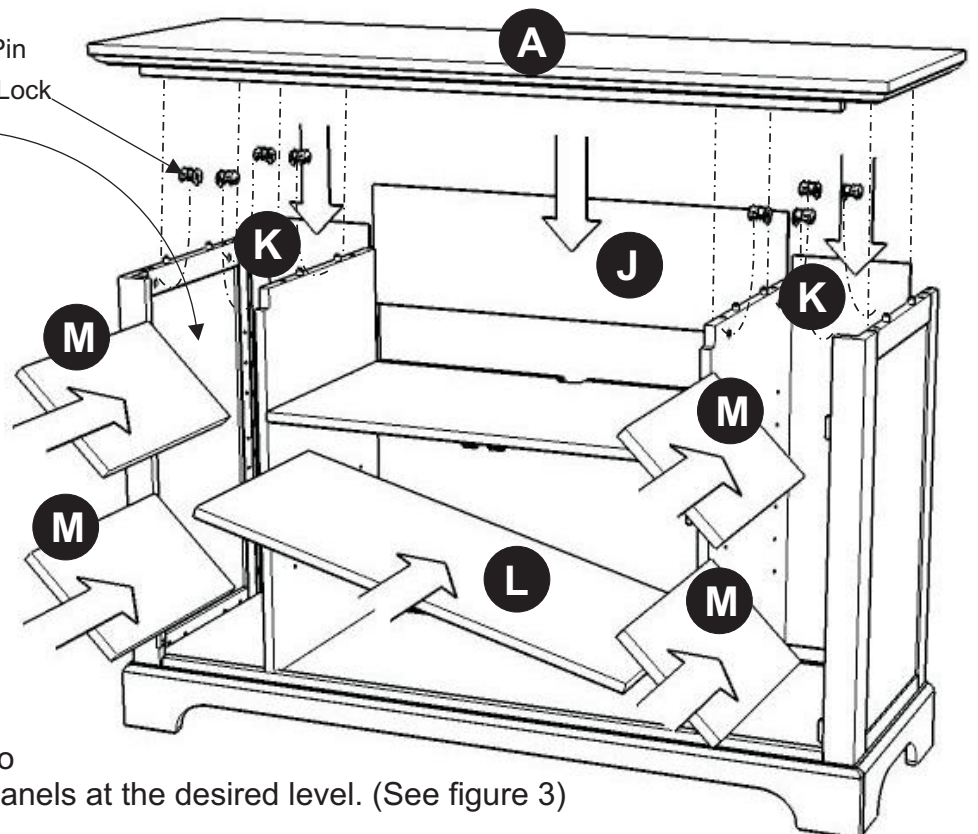
STEP 5

Slide Back Panels (J) and (K) into place.

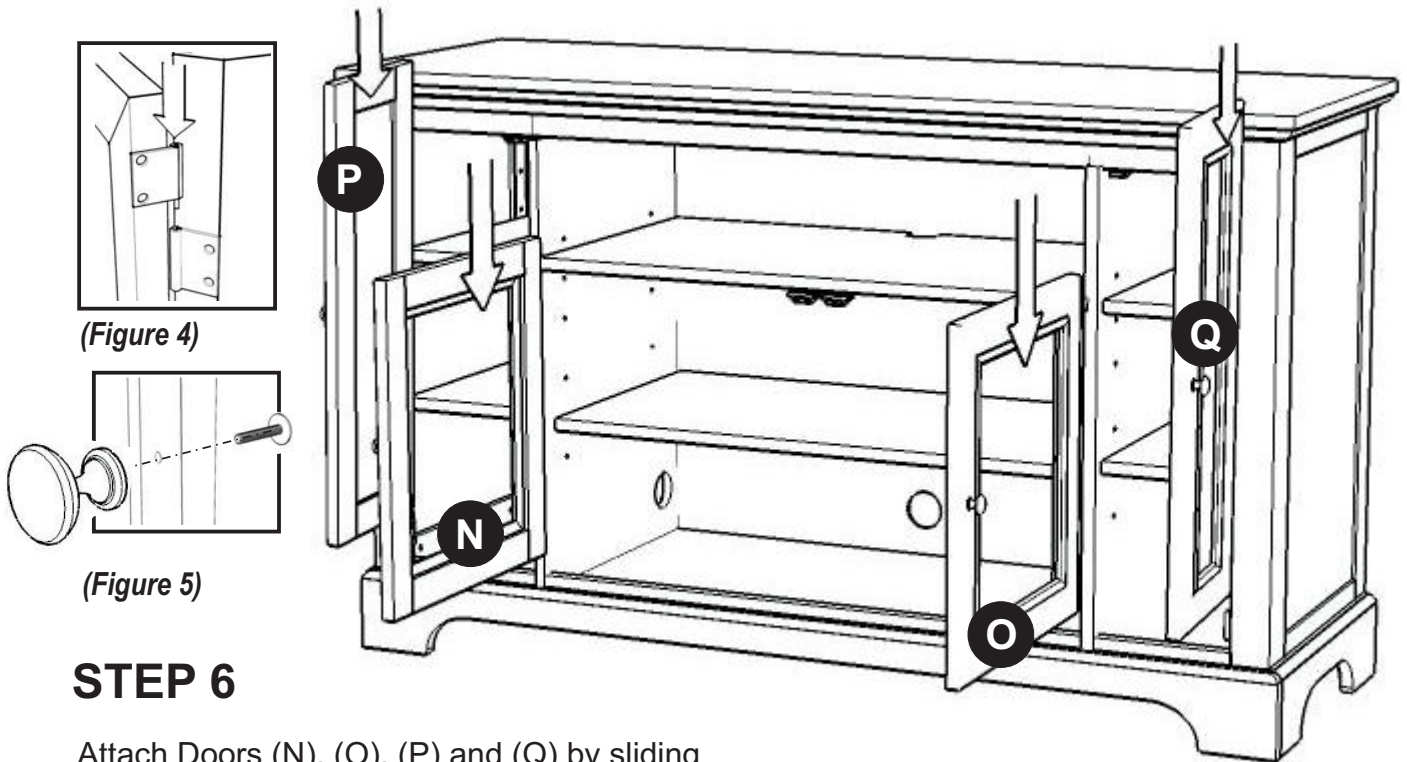
Place Top (A) onto the unit, using Cam Locks.

Insert Adjustable Pins into side panels and middle panels at the desired level. (See figure 3)

Place Shelves (L) and (M) into position.



Assembly Instructions 4/4



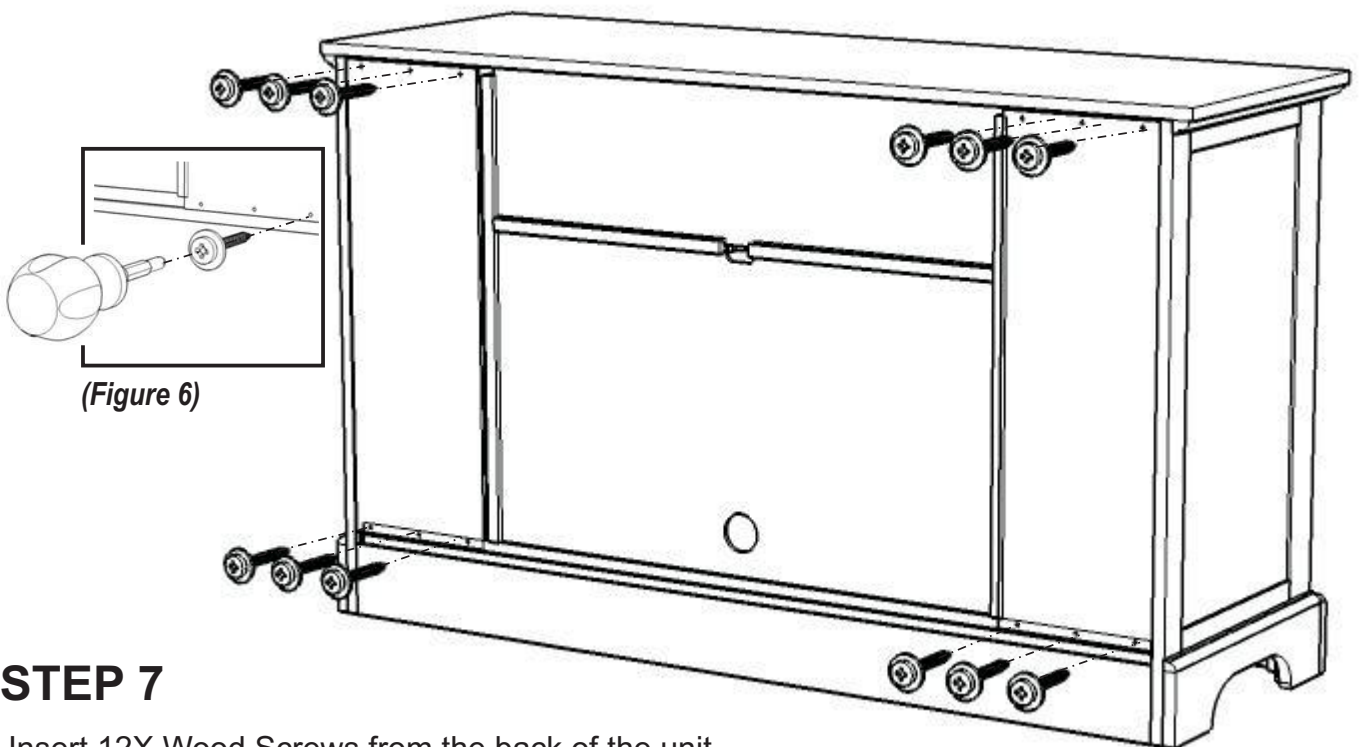
(Figure 4)

(Figure 5)

STEP 6

Attach Doors (N), (O), (P) and (Q) by sliding the door lift hinges into the side panels lift hinges. (See figure 4)

Assemble Pull Handles to Doors with Machine Screws. (See figure 5)



(Figure 6)

STEP 7

Insert 12X Wood Screws from the back of the unit, tighten up all the Wood Screws. (See figure 6)

Note: Please make sure unit is level before tightening these screws.