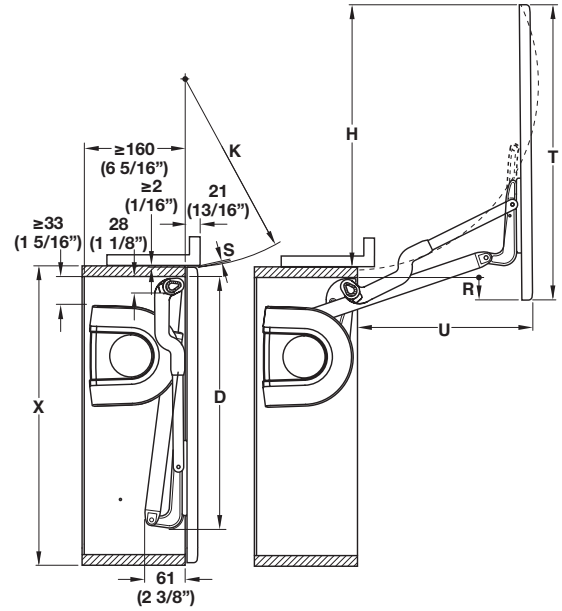


### E-STRATO

- Electro-mechanical opening and closing system
- Quiet drive with soft opening and soft closing mechanism
- Controlled using individually positioned push-button sender
- Effortless manual operation in the event of power failure
- Obstacle detection with auto-stop on both sides

#### Note

These fittings are operated using a push-button sender at a frequency of 915 MHz.



Door Height	X approx.	Y	D	H	K	R approx.	S	T	U approx.
342-420 (13 1/2" - 16 1/2")	342 (13 1/2")	186 (7 5/16")	308 (12 1/8")	295 (11 5/8")	205 (8")	28 (1 1/8")	0.8 mm	338 (13 5/16")	200 (7 7/8")
	350 (13 3/4")					346 (13 5/8")			
	420 (16 1/2")					416 (16 3/8")			
420-500 (16 1/2" - 19 5/8")	420 (16 1/2")	255 (10 1/16")	380 (15")	395 (15 9/16")	271 (10 5/8")	5 (3/16")	1.2 mm	414 (16 5/16")	265 (10 7/16")
	450 (17 3/4")					444 (17 1/2")			
	500 (19 5/8")					494 (19 1/2")			
500-550 (19 5/8" - 21 5/8")	500 (19 5/8")	293.5 (11 9/16")	420 (16 1/2")	450 (17 3/4")	312.5 (12 5/16")	30 (1 3/16")	1.3 mm	494 (19 1/2")	295 (11 5/8")
	550 (19 5/8")					544 (21 3/8")			
550-650 (21 5/8" - 25 1/2")	550 (19 5/8")	313.5 (12 3/8")	440 (17 5/16")	480 (18 5/8")	332.5 (13 1/16")	50 (2")	1.3 mm	544 (21 5/8")	315 (12 3/8")
	600 (23 5/8")					594 (23 3/8")			
	650 (25 1/2")					644 (25 3/8")			

### Lift-Up Fitting

- Adjustment facility: Height/side of front ± 3 mm tilting angle of front, holding power and opening angle
- Nominal voltage: 18 V
- Input voltage: 100 – 240 V, 50 – 60 Hz

Material: Aluminum; Finish: silver colored anodized

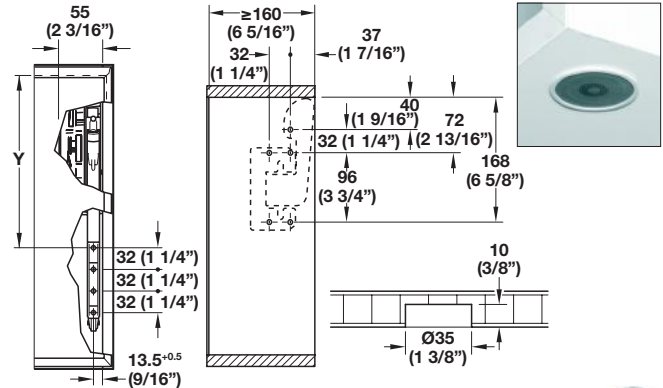
Door height	Door weight	Item No.
342 – 420 (13 7/16 – 16 9/16")	3.3 – 8.8 lbs.	372.32.441
	7.7 – 15.4 lbs.	372.32.442
	13.2 – 23.1 lbs.	372.32.443
420 – 500 (16 9/16 – 19 11/16")	4.4 – 7.7 lbs.	372.32.451
	6.6 – 15.4 lbs.	372.32.452
	13.2 – 23.1 lbs.	372.32.453
500 – 550 (19 11/16 – 21 5/8")	17.6 – 30.8 lbs.	372.32.454
	8.36 – 19.8 lbs.	372.32.461
	15.4 – 26.4 lbs.	372.32.462
550 – 650 (21 5/8 – 25 9/16")	9.9 – 22 lbs.	372.32.471
	13.2 – 24.2 lbs.	372.32.472

#### Supplied With

Left and right hand arms	Push-button sender with battery
2 cover caps	2 screw-on brackets for wood or wide aluminum doors
2 cam followers (left/right)	Mounting instructions
Control unit with female adapter	
Power cable 2 m (78 3/4")	

#### Note

Please order stabilizer rod and door mounting brackets for small frames separately.



### Push-button Sender, optional

- With battery
- For recess installation in 35 mm (1 3/8") cup drilling
- Range approx.: 5 – 10 m (196 7/8" – 393 11/16")

	Item No.
push-button sender	372.64.889
replacement battery 2032/3.0 V	002.99.032

Dimensional data not binding. We reserve the right to alter specifications without notice.