

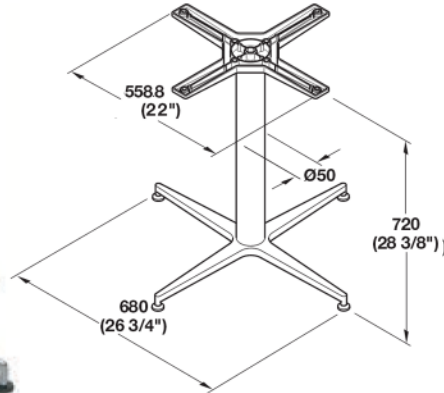
Side Bases

- For desks, training tables, conference tables, etc.
- Adjustable glides offer 13 mm (1/2") of adjustment

Material: Steel, chrome-plated or epoxy-coated
Glides: Plastic; Color: black

Finish	Item No.
chrome polished	635.52.270
silver/aluminum, epoxy-textured	635.52.970

Set Supplied With
2 side bases

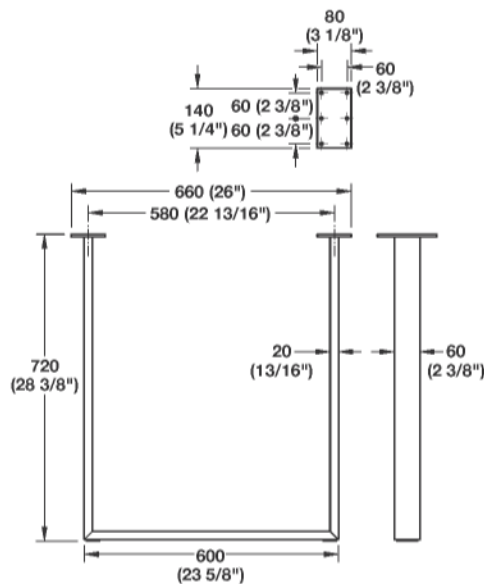


Pedestal Base

- M10 adjustable glides offer 13 mm (1/2") of adjustment
- Simple assembly required
- Glides can be removed and replaced with M10 thread casters
- Maximum top: Ø914 mm (36")

Material: Column and base: Aluminum, polished
Top support: Cast Aluminum; Color: black
Glides: Plastic; Color: black

Item No.
638.37.044



U-Leg

- For table and furniture bases
- With plate for attachment to table top
- Felt glides on bottom of leg
- Leveler with 10 mm (3/8") of adjustment

Material: Steel

Finish	Item No.
silver	638.29.200

Dimensional data not binding. We reserve the right to alter specifications without notice.

Pan head screws

Pages 11.139-11.140

