

Always read the instructions completely and carefully before beginning assembly.
Remove and check contents for damage and / or missing parts.

Bottle Rack

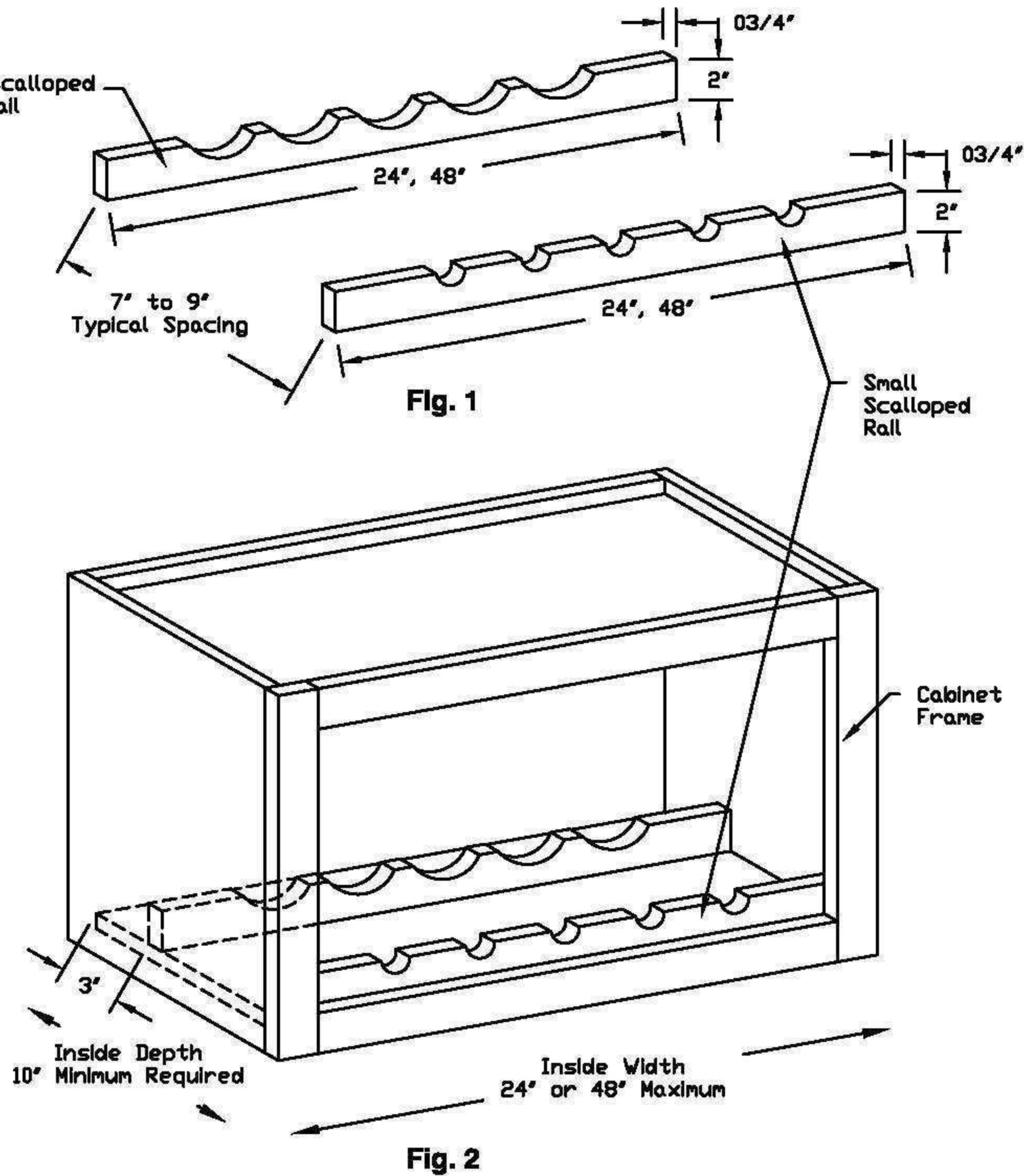
	Cherry	Maple
3/4"TH x 24"W x 2"H	541.98.696	541.98.196
3/4"TH x 48"W x 2"H	541.98.699	541.98.199

Contents of Box:

- 1 - Large Scalloped Rail
- 1 - Small Scalloped Rail
- 2 - Adhesive Strips

You will need:

- Safety Glasses
- Tape Measure
- Cut-off saw



Installation Instructions

- Step 1** Measure the depth and width on the inside of your cabinet.
The minimum inside cabinet depth required = 10"
24" rails can be trimmed to fit inside cabinet widths from 18" to 24".
48" rails can be trimmed to fit inside cabinet widths from 36" to 48".
- Step 2** Mark the rails to fit the inside width of your cabinet. Using a cut-off saw, cut the rails to proper length.
IMPORTANT! Cut an Equal amount off each end.
example: to fit a 20" width, cut 2" off each end of a 24" wide rail.
- Step 3** Apply the double sided adhesive strips (included), to the bottom of the rails.
- You must install the rails between 7" and 9" apart to accommodate standard bottle sizes.**
- Step 4** Install the large scalloped rail to the base of the cabinet at the back, keeping it approximately 3" from the back of the cabinet. **IMPORTANT!** Do not mount against the back of the cabinet.
- Step 5** Install the small scalloped rail up against the inside of the cabinet frame at the front. Note: For deeper cabinets you can position the rails further back.