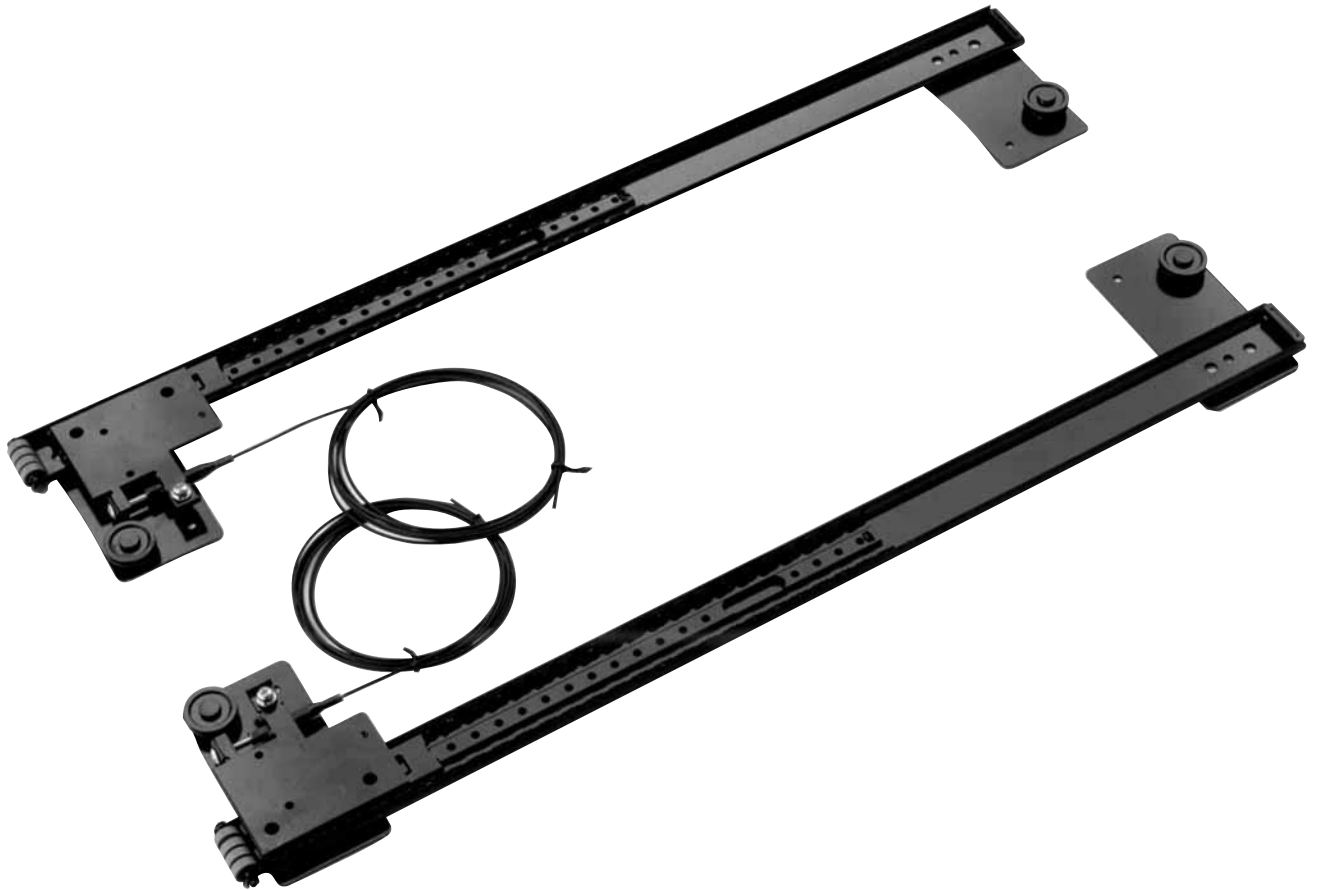


XL Pocket Door Slide System

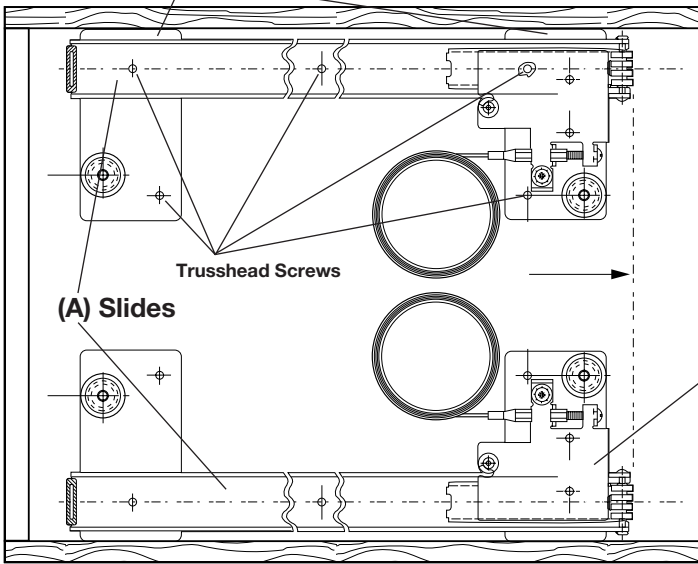


Finish: Black Electroplated Zinc

Maximum Door Weight: 35 lbs.

Maximum Door Size: 60"Height x 24" Wide

(B) Pre-mounted Spacer Tabs



1 Mounting the slides

Attach slides (A) to side panels using (8) Trusshead screws (013.03.304) as shown.

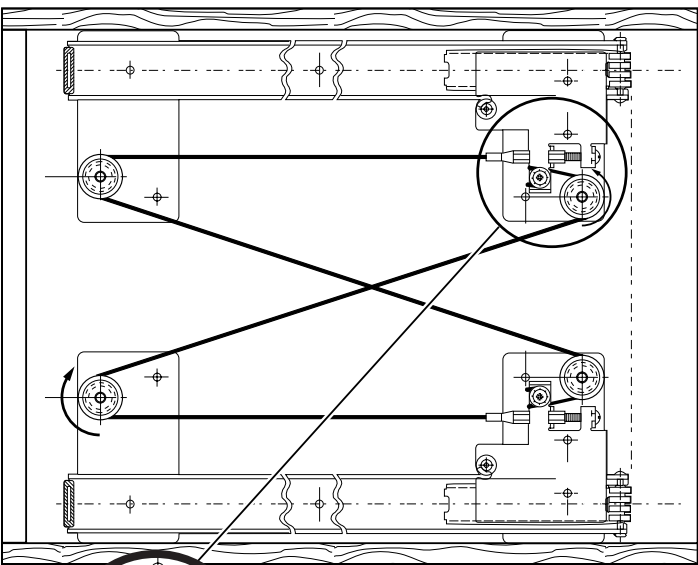
Top and bottom locations are determined by pre-mounted spacer tabs (B). This assumes cabinet is square and parallel.

Make sure slides are absolutely parallel.

Backset is measured from front edge of cabinet to front edge of rollers:

Inlay doors:
Backset = door thickness + 1mm.

Overlay doors:
Backset = 1mm.



2 Attaching the cables

Slide and lock hinge carriers (C) into forward position.

Uncoil cable and wrap around the rear pulley of the same slide.

Wrap cable on the front pulley of opposing slide.

Lead cable under and around set screw bracket being sure cable seats in notch.

Wrap cable under set screw washer (D).

Only one wrap is necessary.

Tension cable by hand and tighten set screw firmly.

Cut off any excess cable.

Repeat accordingly for opposing slide.

3 Mounting hinge and door

Attach hinge mounting plates (F) to slides using (4) M4 x 5mm screws. (020.05.210)

Preparing the door

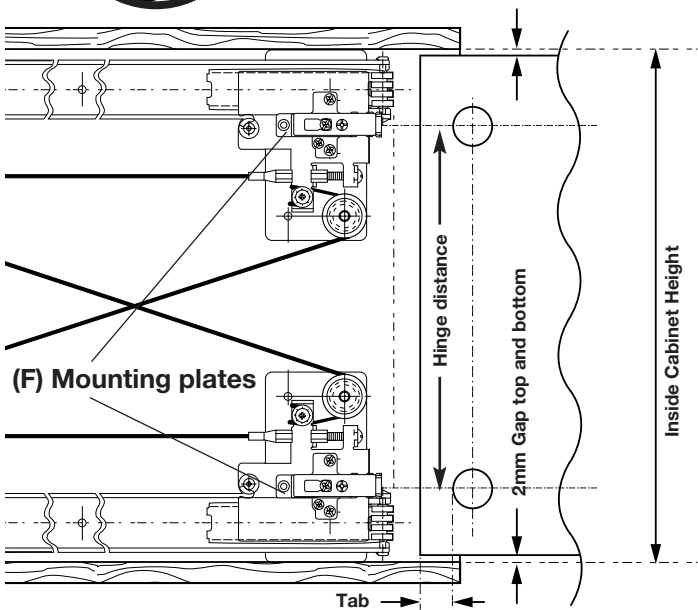
Measure inside height of cabinet.

Cut doors approximately 4mm (5/32") less than inside height of cabinet to allow for a 2mm gap at top and bottom.

Measure distance between centerlines of top and bottom mounting plates (F) already mounted. Transfer distance to door being sure top and bottom distances are equal. Determine tab distance from chart below.

E: Cable Adjuster

D: Set Screw



Door Type	Door Thickness	Tab
Inlay doors	19-32mm (3/4" - 1 1/4")	14mm
*Overlay doors	19-22mm (3/4" - 7/8")	14mm
Door Type	Door Thickness	Tab
Inlay doors	19-32mm (3/4" - 1 1/4")	14mm

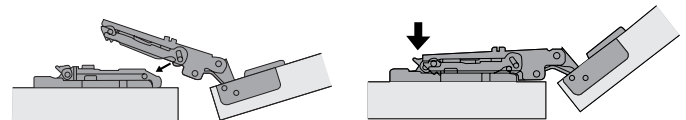
*Maximum overlay - 7/8"

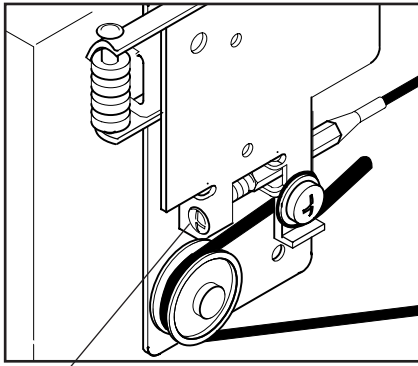
Drill doors using a 40mm drill bit.

Install hinges in door using (4) 3.5 x 15mm raised head countersunk screws. (015.55.639)

Install the door onto the mounting plates.

Close door and check clearances to determine necessary adjustments.





(E) Cable Adjuster

④ Door adjustments

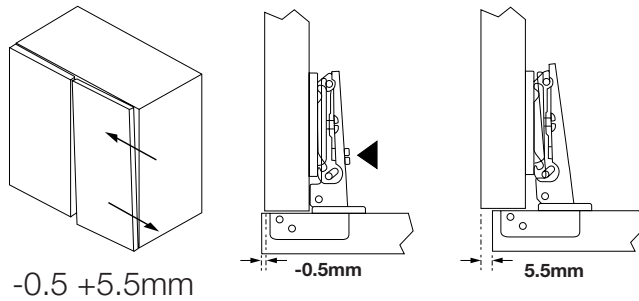
Adjust out any sag in the door using the cable adjuster (E) Do not over tighten cable. Cable should only have light tension applied.

Make further adjustments using adjusting screws on hinge and mounting plates. (see diagram)

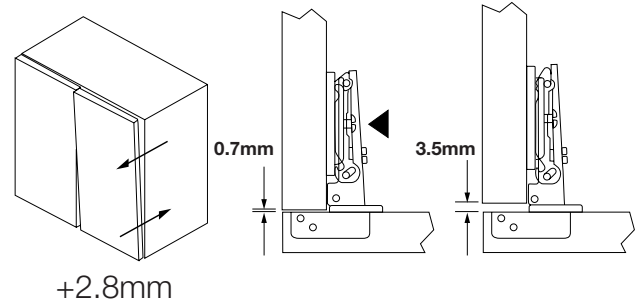
Test ease of operation by sliding door in and out.

Hinge adjustments

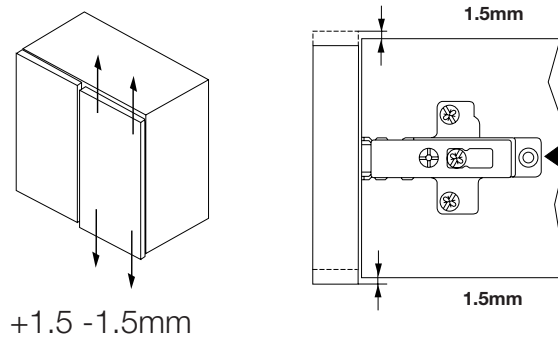
Side Adjustment



Depth Adjustment

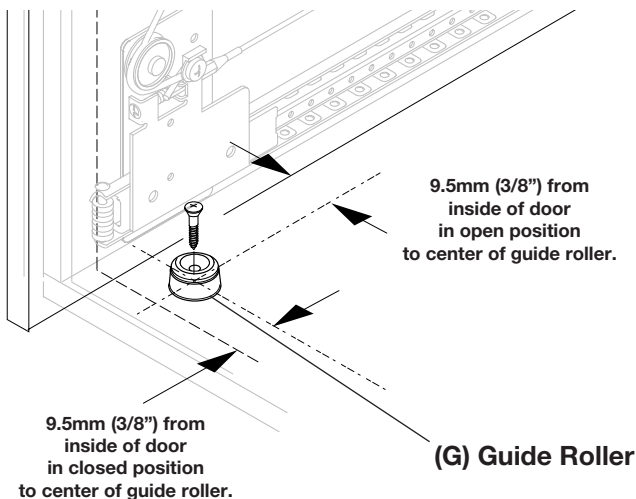


Height Adjustment

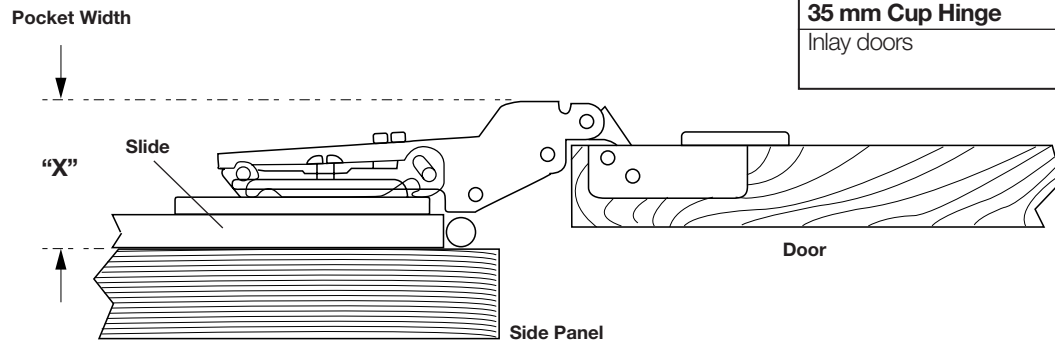


⑤ Install Guide Roller

Locate and install guide roller (G) as shown, using pivot roller screw. (418.09.300, 015.31.675)



Pocket width required using up to a maximum door size of 1 1/4" (32mm)



Door Type	Pocket Width "X"
Inlay doors	64mm (2 1/2")
Overlay doors	50mm (2)
35 mm Cup Hinge	
Inlay doors	45mm (1 3/4")

Accessory Pack Contents

Inlay Door Accessory Pack (Door thickness 19mm - 32mm)

Set consists of:

- 4 - 020.05.210 - M4 x 5mm - Hinge plate mounting screws
- 4 - 015.55.639 - 3.5 x 15mm - Hinge mounting screws
- 1 - 418.09.300 - Pivot roller
- 1 - 015.31.675 - Pivot roller mounting screw
- 10 - 013.03.304 - Slide mounting screws
- 2 - 329.05.632 - Duomatic 95°, 40mm cup hinge for inset doors
- 2 - 329.66.602 - Duomatic clip mounting plate, with single screw adjustment

Catalog No. 408.24.002

Overlay Door Accessory Pack (Door thickness 19mm - 25mm, max. overlay - 7mm)

Set consists of:

- 4 - 020.05.210 - M4 x 5mm - Hinge plate mounting screws
- 4 - 015.55.639 - 3.5 x 15mm - Hinge mounting screws
- 1 - 418.09.300 - Pivot roller
- 1 - 015.31.675 - Pivot roller mounting screw
- 10 - 013.03.304 - Slide mounting screws
- 2 - 329.05.614 - Duomatic 95°, 40mm cup hinge for overlay doors
- 2 - 329.66.602 - Duomatic clip mounting plate, with single screw adjustment

Catalog No. 408.24.011

Overlay Door Accessory Pack (Door thickness 16mm - 19mm)

Set consists of:

- 4 - 020.05.210 - M4 x 5mm - Hinge plate mounting screws
- 4 - 015.55.639 - 3.5 x 15mm - Hinge mounting screws
- 1 - 418.09.300 - Pivot roller
- 1 - 015.31.675 - Pivot roller mounting screw
- 10 - 013.03.304 - Slide mounting screws
- 2 - 329.05.614 - Duomatic 95°, 40mm cup hinge for overlay doors
- 2 - 329.66.605 - Duomatic clip mounting plate, with single screw adjustment

Catalog No. 408.24.011