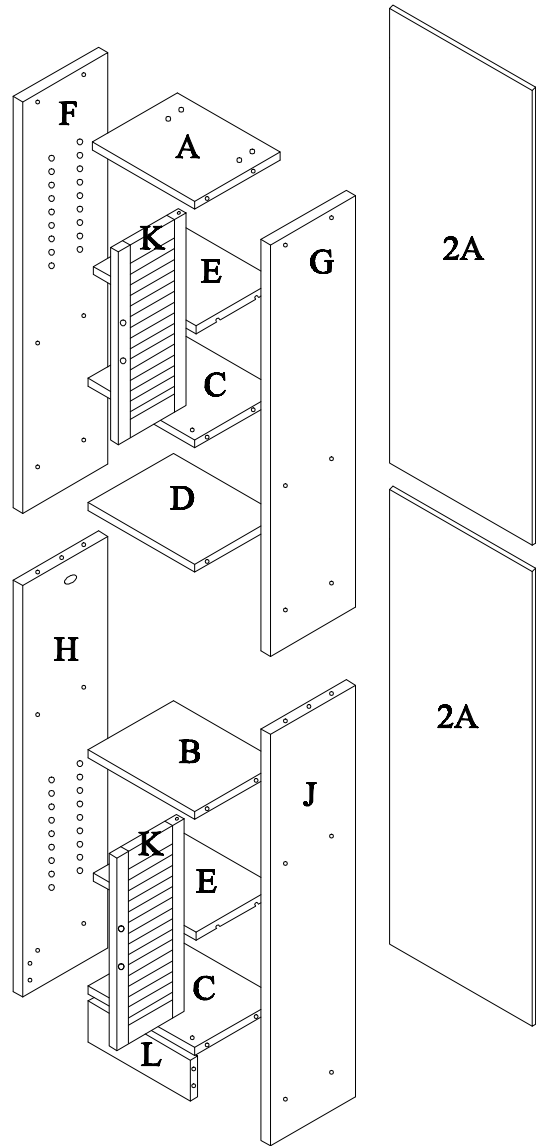
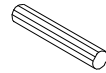


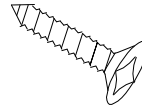
87622 ASSEMBLY INSTRUCTION



M X 8



N X 20
8# X 38 mm



P X 8



Q X 2
(FIXED DOOR HINGE)



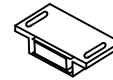
R X 2
(SPRUNG DOOR HINGE)



2S X 4
3 X 12 mm



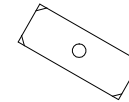
S X 2



2T X 2
3 X 10 mm



T X 2



U X 30



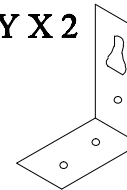
V X 4
4 X 25 mm



W X 2



Y X 2



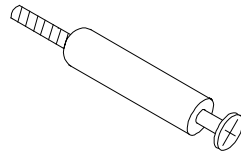
Z X 4
4 X 10 mm



Sticker X 20



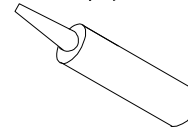
2M X 2



2N X 2



2K X 1
GLUE



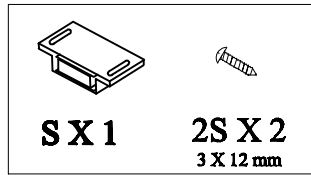
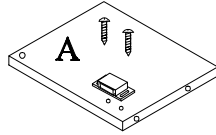
2P X 4
4 X 32 mm



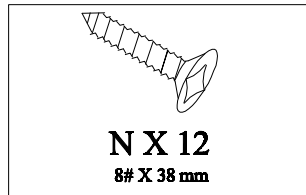
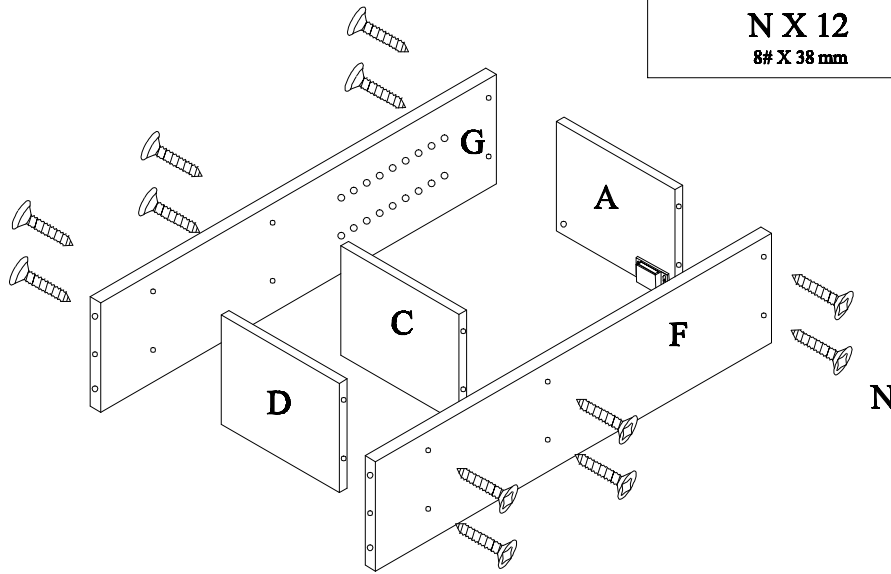
2Q X 4



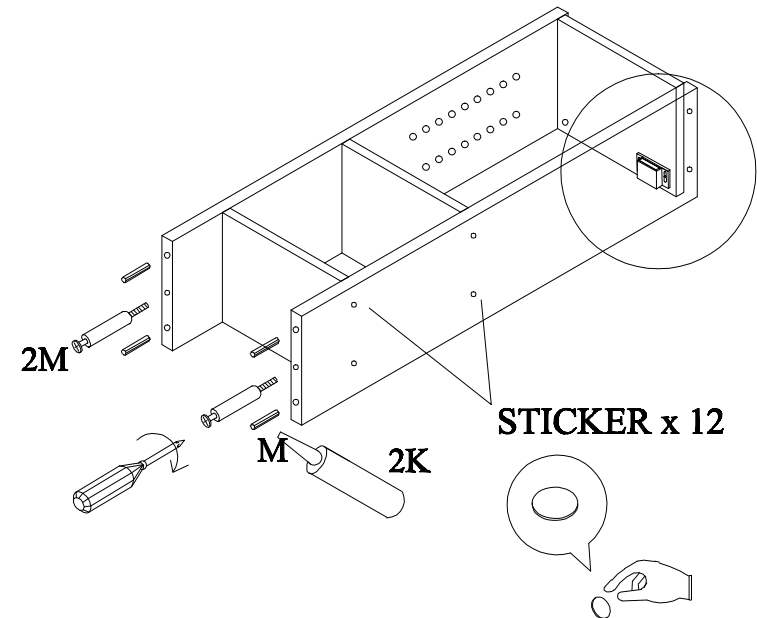
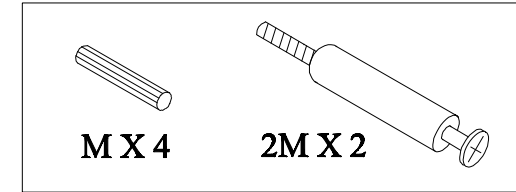
STEP 1



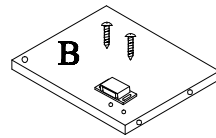
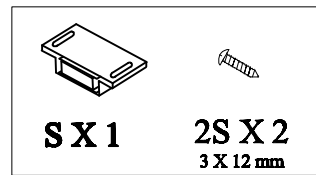
STEP 2



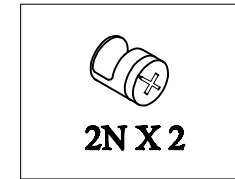
STEP 3



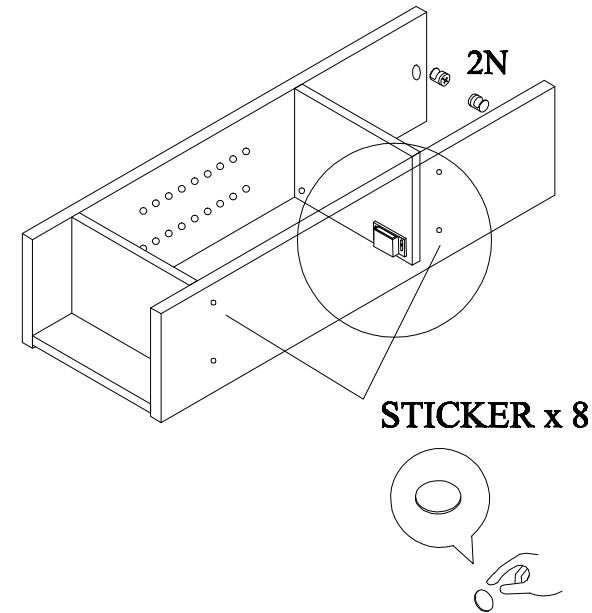
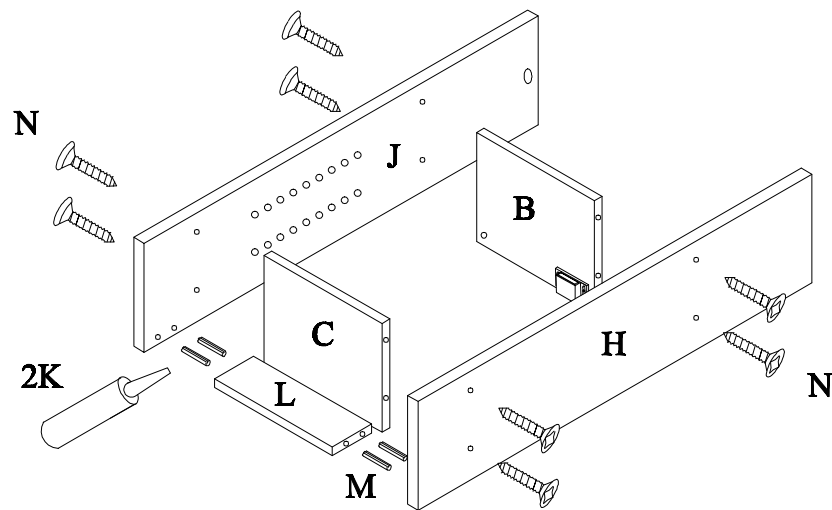
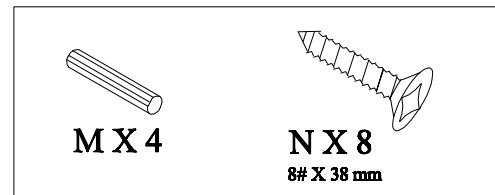
STEP 4



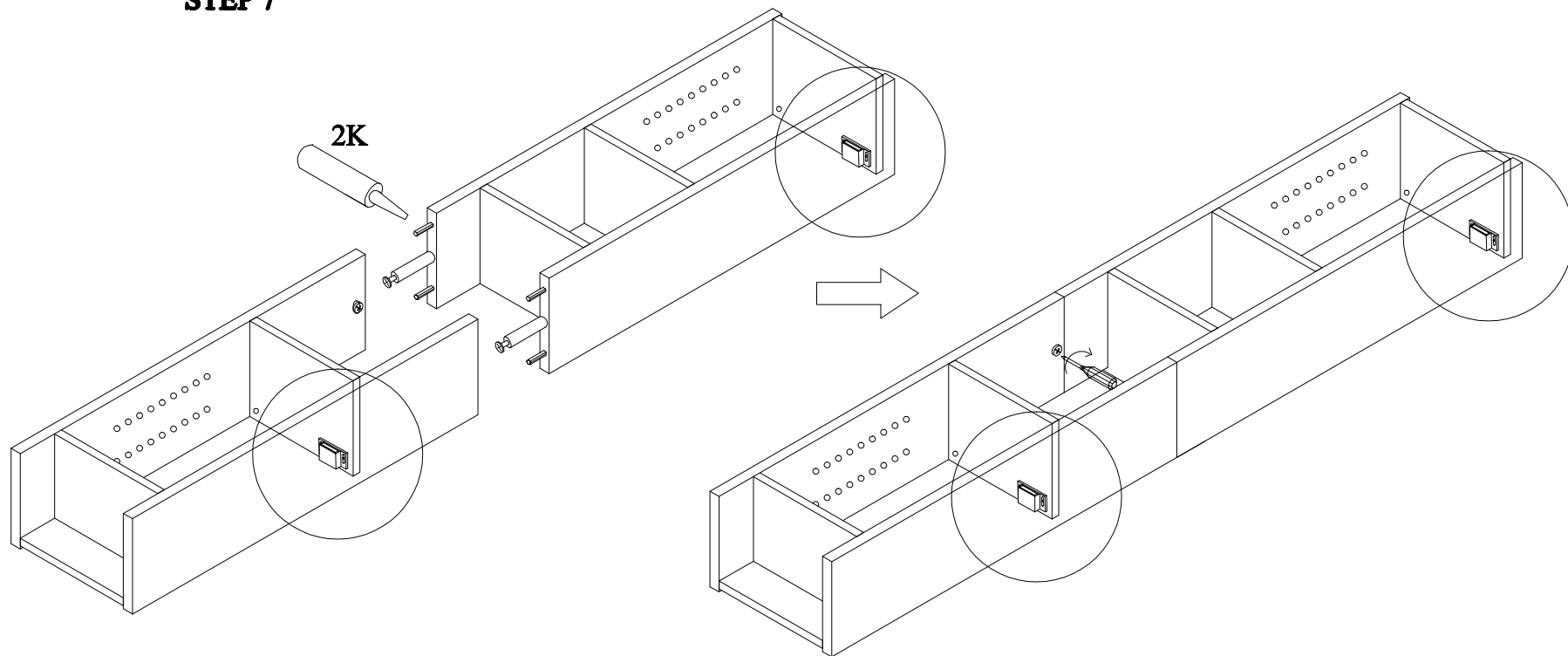
STEP 6



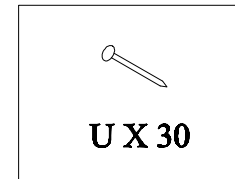
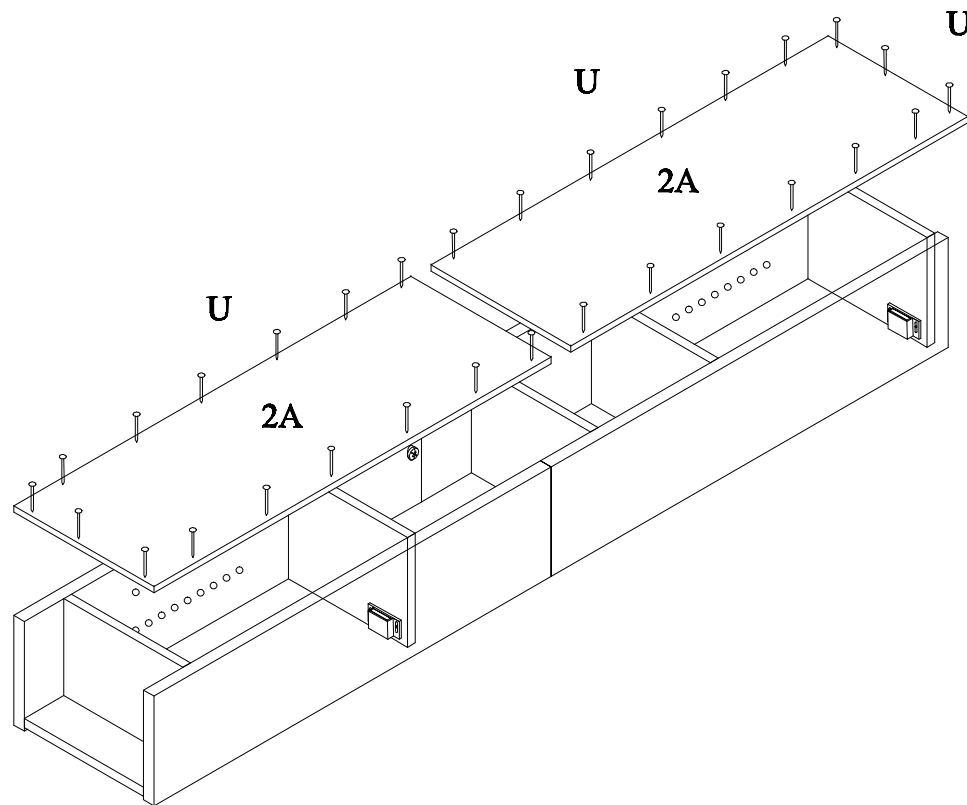
STEP 5



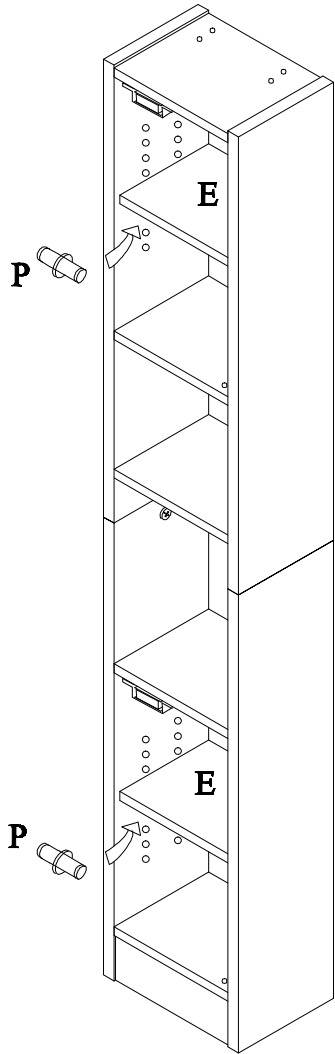
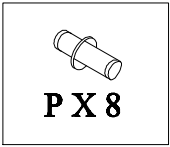
STEP 7



STEP 8

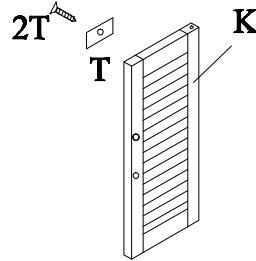
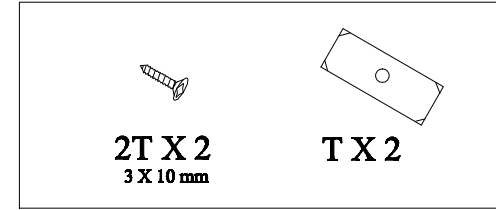


STEP 9



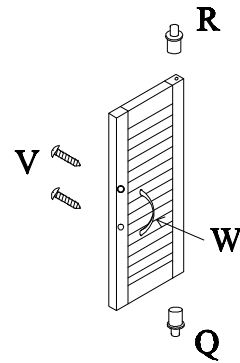
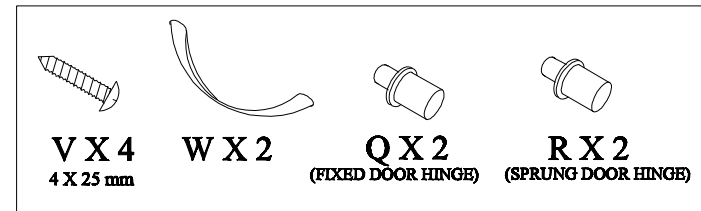
**WITH TWO PEOPLE
STAND UP THE
UNIT CAREFULLY
AND PUT INTO
PLACE !**

STEP 10



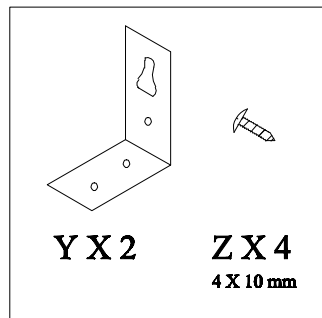
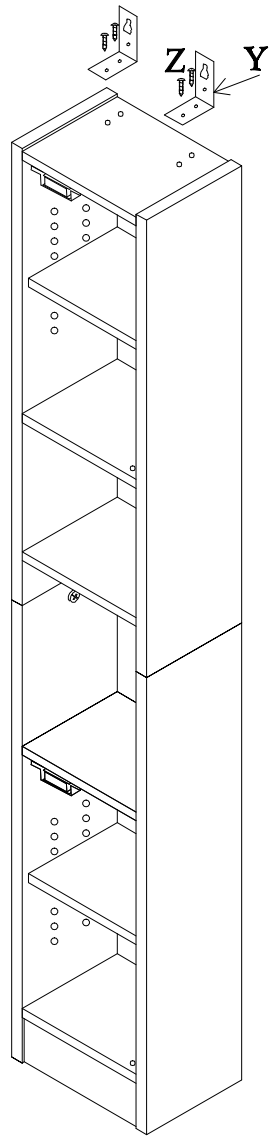
X 2

STEP 11



X 2

STEP 12



STEP 13

