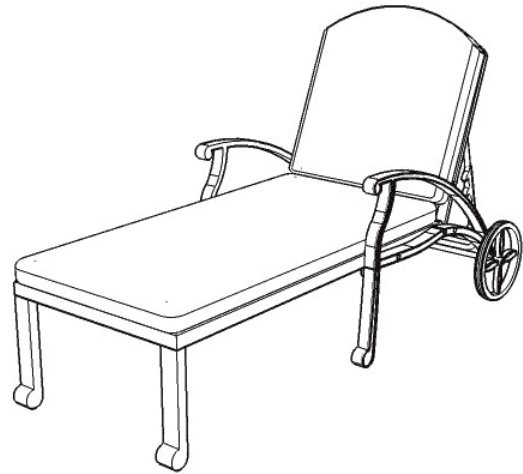




20 06659 0083

Chaise



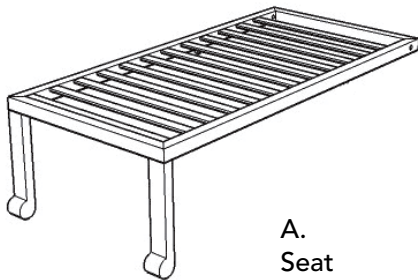
IMPORTANT

Carefully remove all the parts from the carton and place them individually on a soft cloth to prevent scratches or other damage.

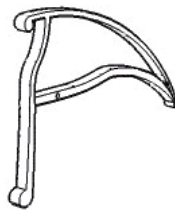
Carefully and strictly follow these assembly instructions to ensure a completed product as designed.

Do not use power tools above 8 volts to assemble.

Part List



A.
Seat
1 pc.



B.
Arm
1 pc.



C.
Arm
1 pc.



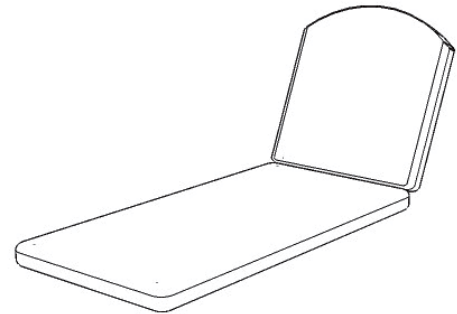
D.
Back Frame
1 pc.



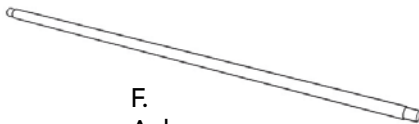
E.
Support
1 pc.



G.
Wheel
2 pcs.



H.
Cushion
1 pc.



F.
Axle
1 pc.

Hardware List



Wrench
1 pc.



Large
Hex Wrench
1 pc.



Small
Hex Wrench
1 pc.



Small
Hex Wrench
1 pc.

M8x60
Head Cap Bolt (long)
2 pcs.(+1 extra)



M8x30
Head Cap Bolt
4 pcs.(+1 extra)



M8x20
Head Cap Bolt (short)
2 pcs.(+1 extra)



Flat Washer
8 pcs.(+1 extra)



Flat Washer (small)
2 pcs.(+1 extra)



Wheel Cap
2 pcs.(+1 extra)



M8
Spring Washer
8 pcs.(+1 extra)



M6
Spring Washer (small)
2 pcs.(+1 extra)



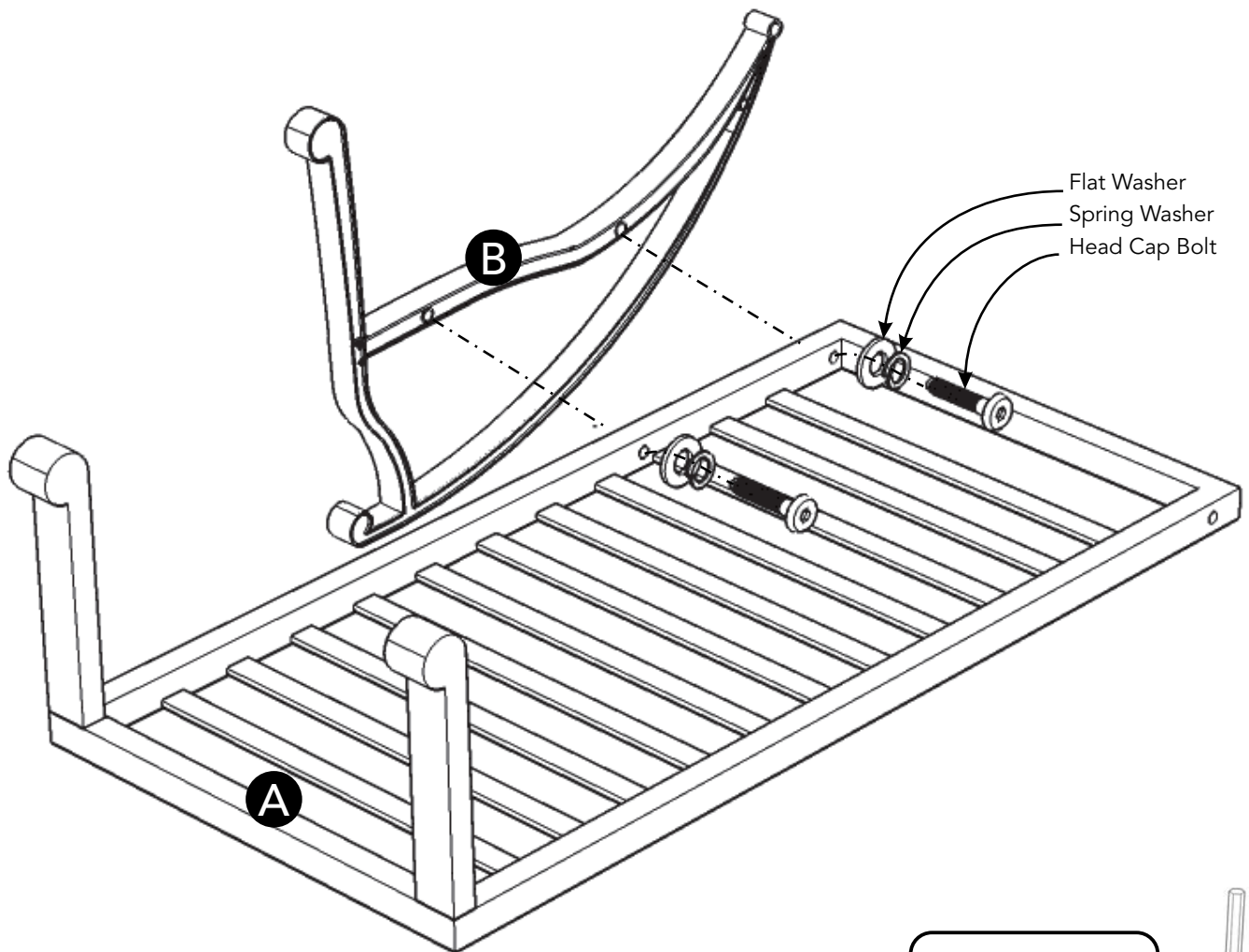
M6x20
Head Cap Bolt (small)
2 pcs.(+1 extra)



Assembly Instructions 2/5

IMPORTANT

- Use a soft cloth between these parts and the floor.
- Do not use power tools above 8 volts to assemble.
- Do not tighten all the bolts until each part is properly assembled.
- The unit must be level to work properly. Use the included adjustable levelers to level.
- Keep Wrench and Hex Wrench as the bolts may need to be tightened up in the future.



STEP 1

Attach Arm (B) to Seat (A) with Flat Washers, Spring Washers and Head Cap Bolts, tightening bolts only halfway.
(See Figure 1)

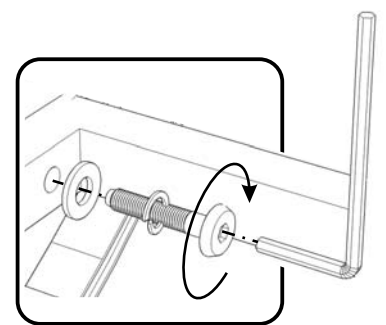
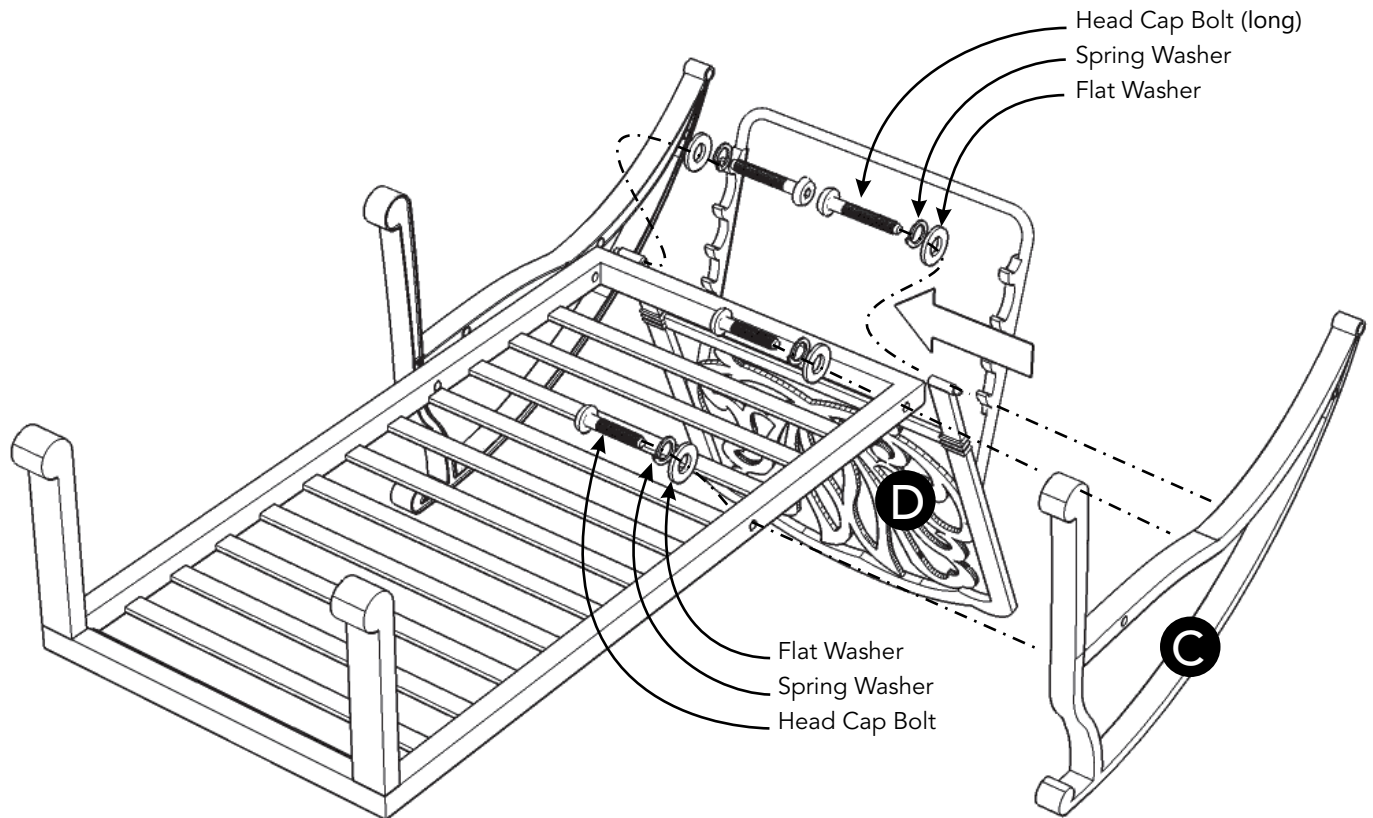


Figure 1

Assembly Instructions 3/5



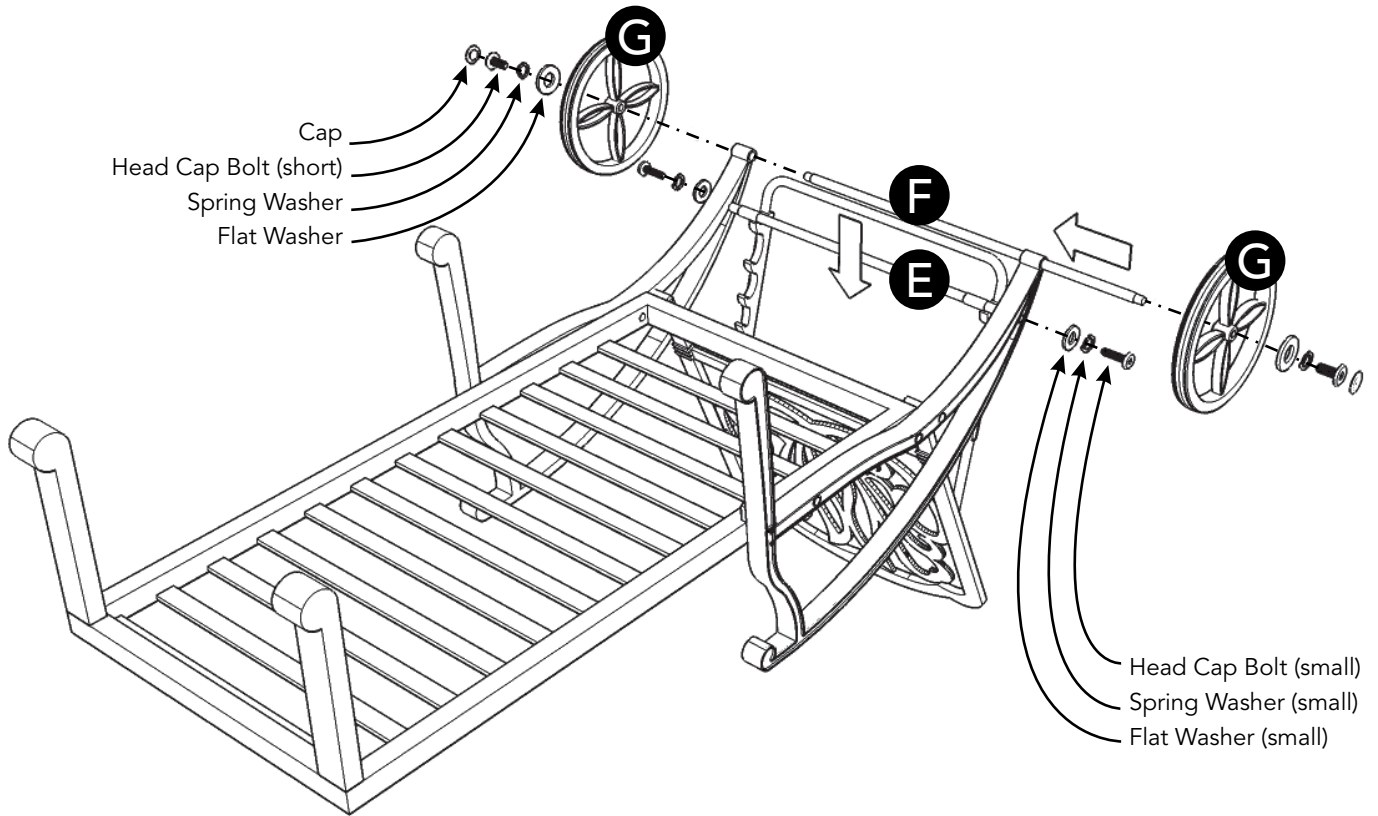
STEP 2

Place Back Frame (D) to unit with Flat Washers, Spring Washers and Head Cap Bolts (long), tightening bolts only halfway.

Attach Arm (C) to unit with Flat Washers, Spring Washers, Head Cap Bolts and Head Cap Bolts (long), bolts only halfway.

Tighten all bolts used in Steps 1 and 2.

Assembly Instructions 4/5



STEP 3

Attach Support (E) to unit with Flat Washers (small), Spring Washers (small) and Head Cap Bolts (small), tightening bolts only halfway.

Insert Axle (F) into unit.

Attach Wheels (G) to unit with Flat Washers, Spring Washers and Head Cap Bolts (short), tightening bolts only halfway. (See Figure 2)

Tighten all Head Cap Bolts.

Cover center wheel holes with Caps.

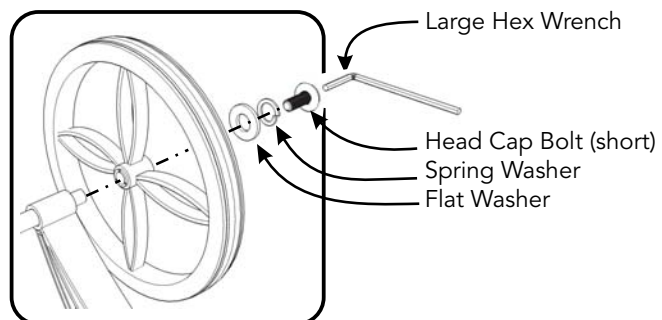


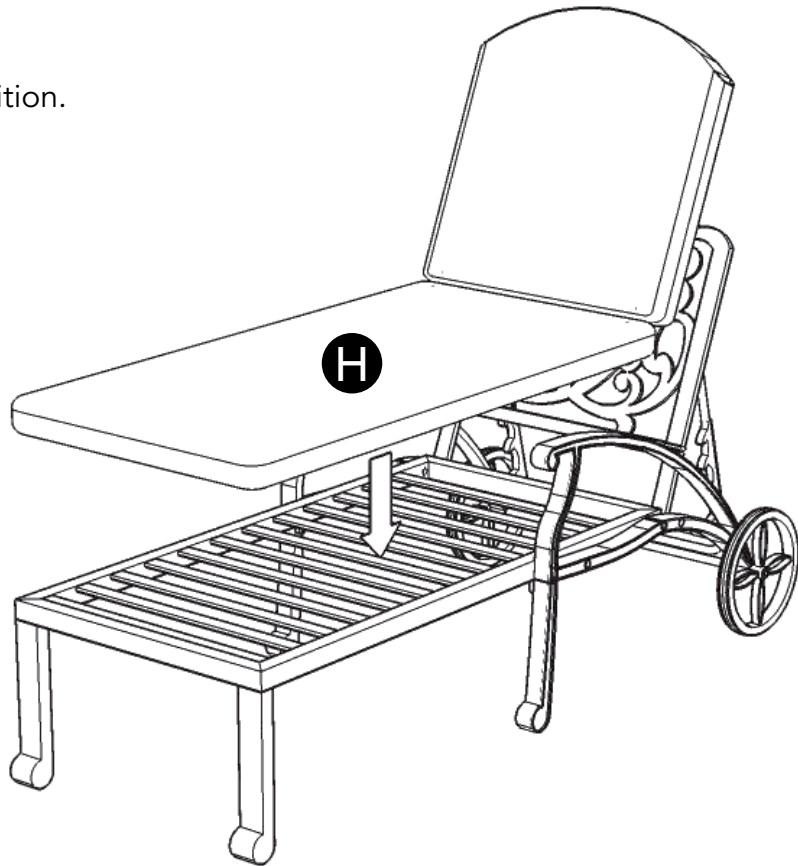
Figure 2

Assembly Instructions 5/5

STEP 4

Turn unit over to its upright position.

Place Cushion (H) onto unit.



STEP 5

Use velcro on Cushion (H) to attach to unit. (See Figure 3)

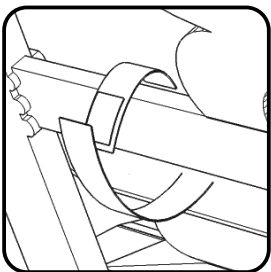
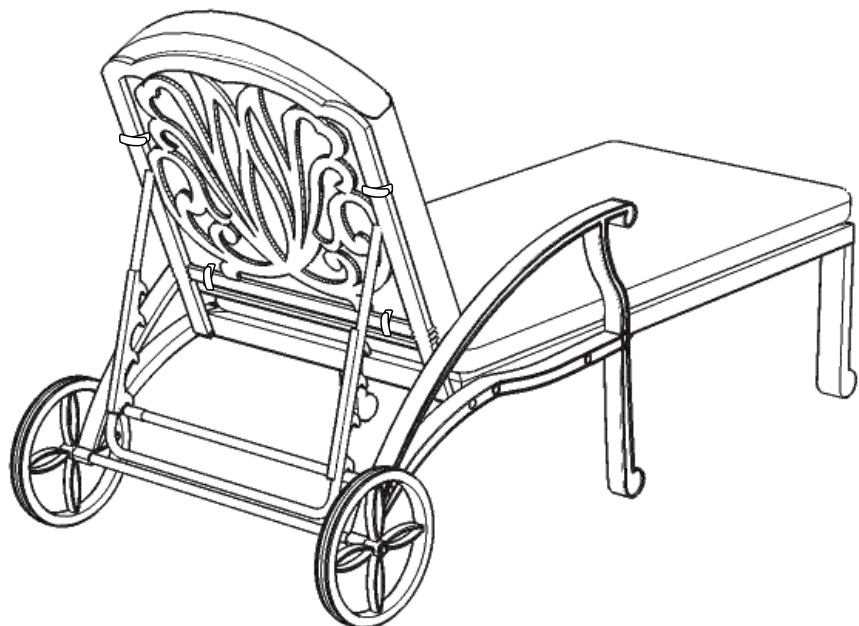


Figure 3



CARE INSTRUCTIONS

NEVER

allow liquids to remain on furniture.
Absorption causes parts to warp
and split and finishes to delaminate.

NEVER

use glass cleaners on
finished furniture. Ammonia
chemically attacks the finish.



Do not use power tools
above 8 volts to assemble.
**PREVENT
CRACKING**



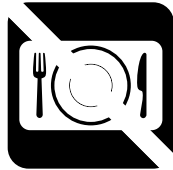
Do not place
in direct sunlight.
**PREVENT
FADING**



Do not write
directly on surface.
**PREVENT
MARKING**



Do not place hot
objects on surface.
**PREVENT
FINISH DAMAGE**



Do not use rubber
based placemats.
**PREVENT
DISCOLORING**



Do not use commercial
waxes and polishes.
**PREVENT
YELLOWING**

CLEAN

with a soft cloth moistened
in lukewarm soap and water.
Buff with a dry clean cloth.



Home Styles will provide replacements free of charge for missing or damaged hardware or parts within 30 days of purchase. Digital images of the defective parts may be required. If the product was not purchased from an authorized retail affiliate, Home Styles is under no obligation to provide replacement parts. Parts are not available for fully assembled items nor are parts available for sale. Replacements for missing or damaged hardware or parts may be requested at:

www.homestyles-furniture.com/customer-service/replacement-parts

Home Styles Customer Service: www.homestyles-furniture.com,
servicedesk@homestyles-furniture.com, 888-680-7460, 877-831-0319