

88 5561 53

Swivel Arm Chair

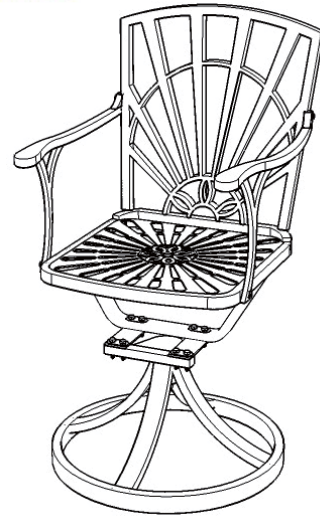
IMPORTANT NOTE

This product is made of sturdy, high quality aluminum and will provide years of enjoyment. Do not use power tools to assemble and only tighten bolts until they are snug. Over tightening can cause damage to the aluminum.

Carefully remove all the parts from the carton and put them individually on a soft cloth to prevent scratches or other damages occurring to the parts.

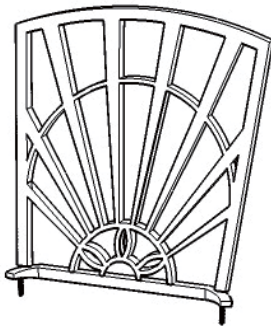
Home Styles

We have taken great care in the design of this product and request that you carefully and strictly follow our assembly instructions to ensure a completed product as it was designed.

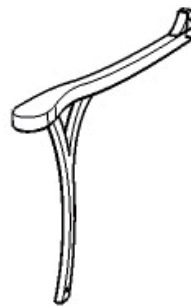


Part List

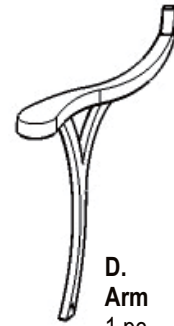
A.
Back
1 pc.



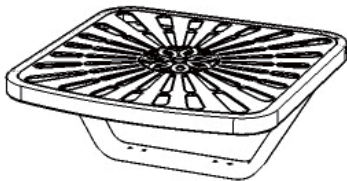
C.
Arm
1 pc.



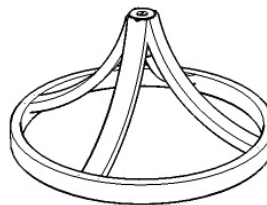
D.
Arm
1 pc.



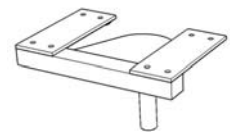
B.
Seat
1 pc.



E.
Base
1 pc.



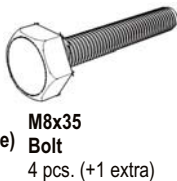
F.
Connector
1 pc.



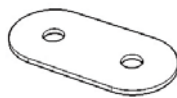
Hardware List



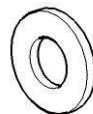
Key Wrench (large)
1 pc.



M8x35 Bolt
4 pcs. (+1 extra)



Flat Washer
4 pcs. (+1 extra)



Round Flat Washer (large)
2 pcs. (+1 extra)



Spring Washer (large)
6 pcs. (+1 extra)



Nut (large)
6 pcs. (+1 extra)



Nut Cap (large)
14 pcs. (+1 extra)



Key Wrench (small)
1 pc.



M6x30 Tapered Bolt (long)
2 pcs. (+1 extra)



M6x25 Tapered Bolt (short)
2 pcs. (+1 extra)



Round Flat Washer (small)
4 pcs. (+1 extra)



Spring Washer (small)
4 pcs. (+1 extra)



Nut (small)
4 pcs. (+1 extra)



Nut Cap (small)
4 pcs. (+1 extra)

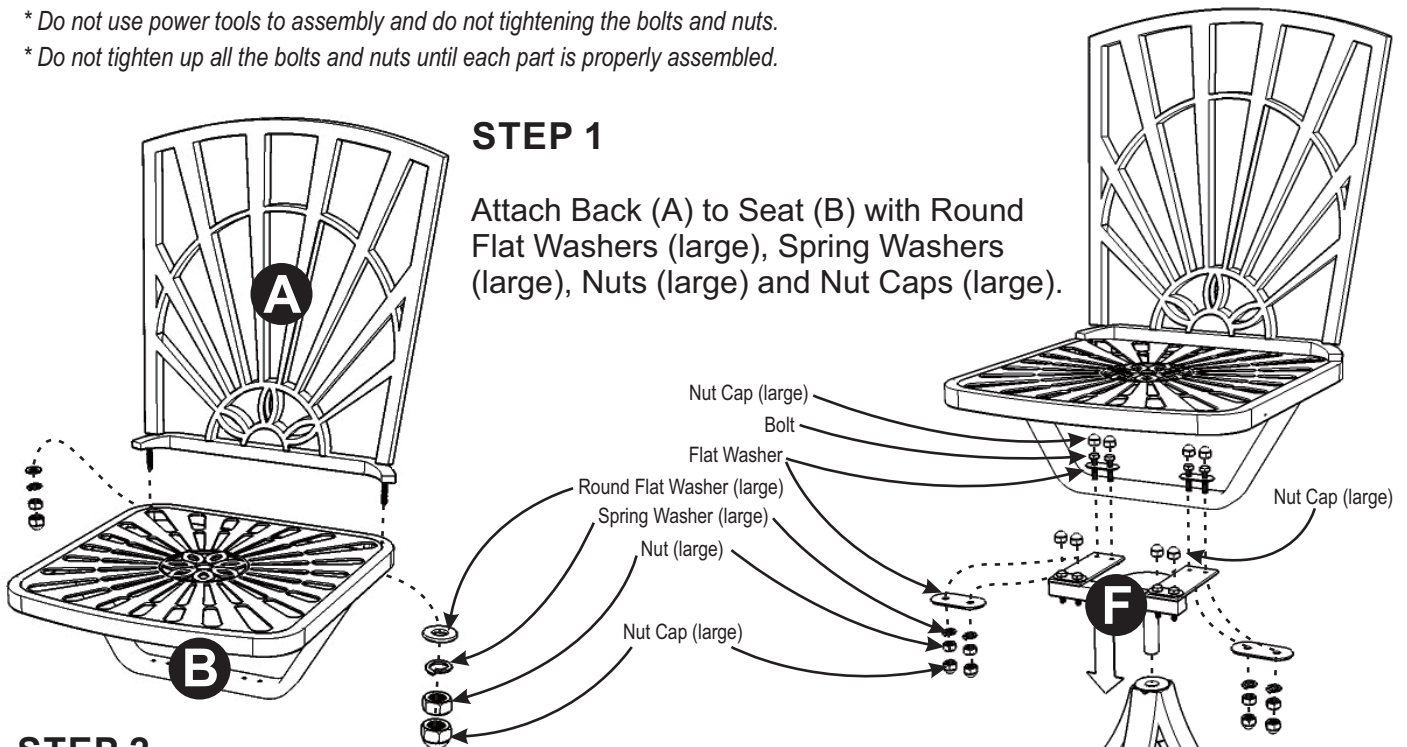
Tools required for assembly : Phillips screwdriver

IMPORTANT

- * Please keep Key Wrench in a safe place as you may need to tighten up the Nuts in the future.
- * Use a soft cloth between these parts and the floor.
- * Do not use power tools to assembly and do not tightening the bolts and nuts.
- * Do not tighten up all the bolts and nuts until each part is properly assembled.

STEP 1

Attach Back (A) to Seat (B) with Round Flat Washers (large), Spring Washers (large), Nuts (large) and Nut Caps (large).



STEP 2

Attach Connector (F) to unit with Bolts, Flat Washers, Spring Washers (large), Nuts (large) and Nut Caps (large). (See Figure 1)

Place unit onto Base (E).

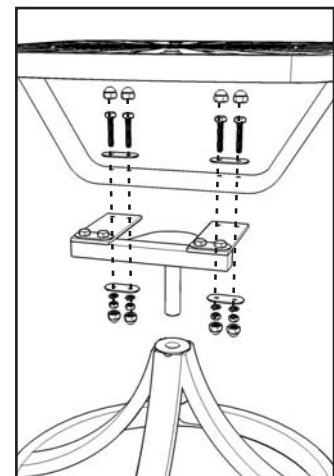
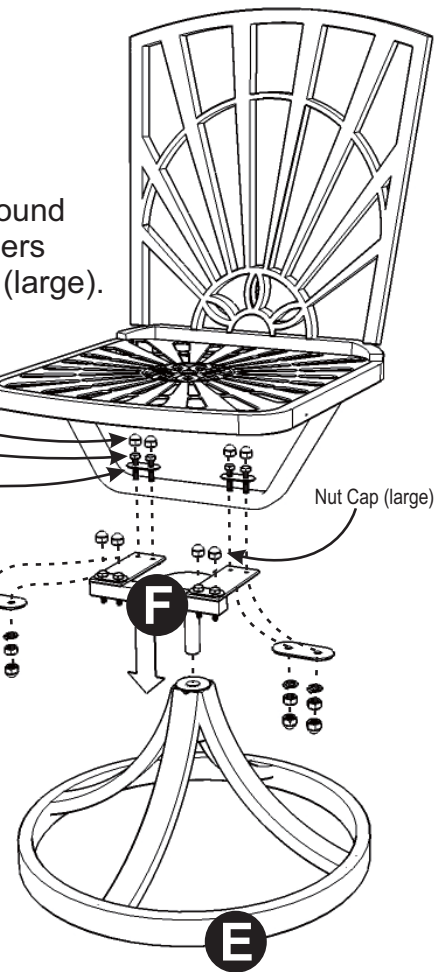


Figure 1

STEP 3

Attach Arms (C) and (D) to unit with Tapered Bolts (long), Tapered Bolts (short), Round Flat Washers (small), Spring Washers (small), Nuts (small) and Nut Caps (small).

