

Contents

Page 1: Parts List

Page 2: Surface Mount Installation

Page 3: Cabinet Mounting/Side Mirror Installation

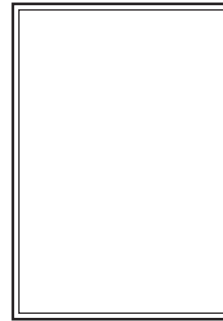
Page 4: Shelf/Recess Mount Installation

Page 5: Door Tilt Adjustment

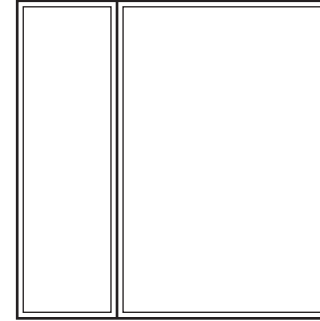
Prior to installation, please check the items you have received against the packing list. Report any missing items to your local dealer immediately.

Protect all surfaces from sharp objects, high heat sources, direct prolonged sunlight and chemical hazards.

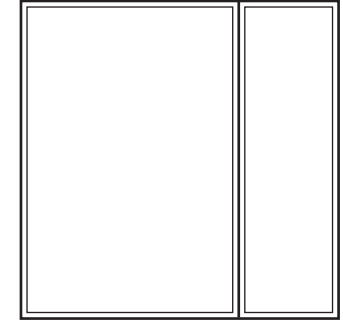
Professional installation is recommended.



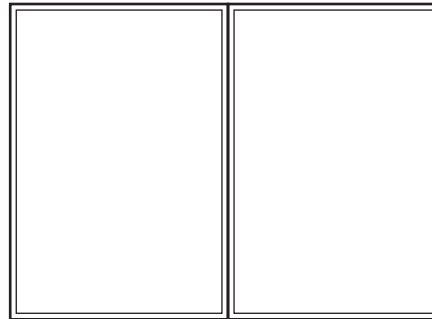
J-MED01A20/JMC-67620
20 inch



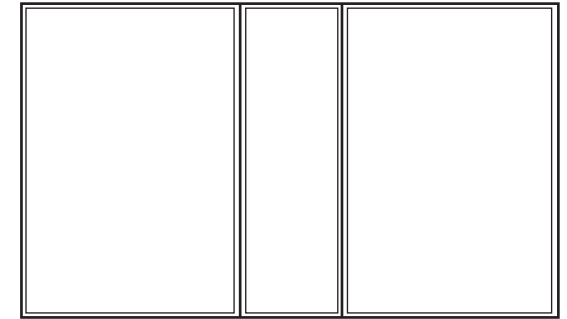
J-MED01A30/JMC-67630
30 inch



J-MED01A30/JMC-67630 (Reversible)
30 inch



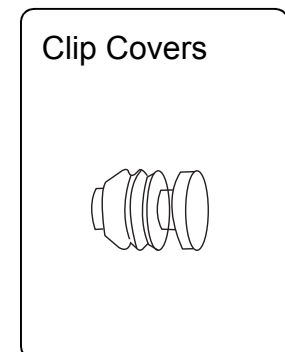
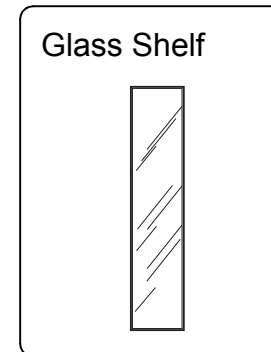
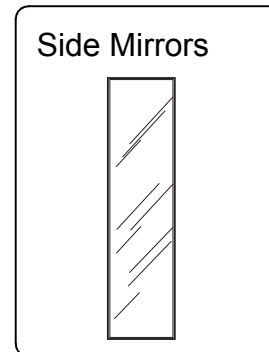
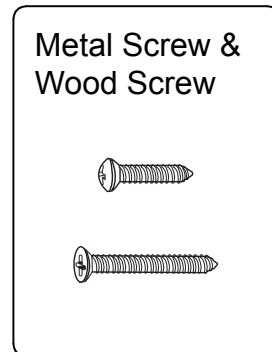
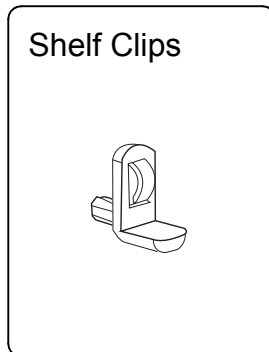
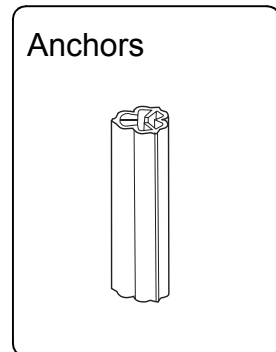
J-MED01A40/JMC-67640
40 inch



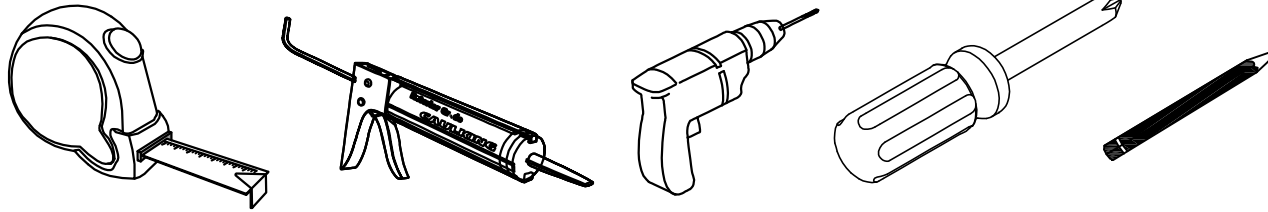
J-MED01A50/JMC-67650 (J-MED01A20 + J-MED01A40)
50 inch

Install separately and level horizontally

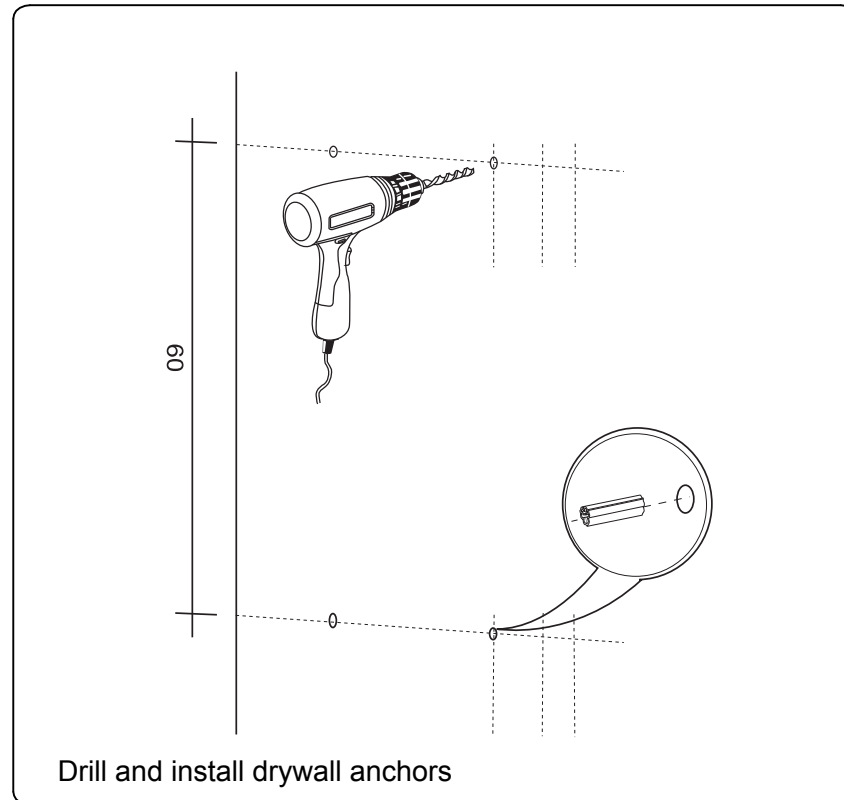
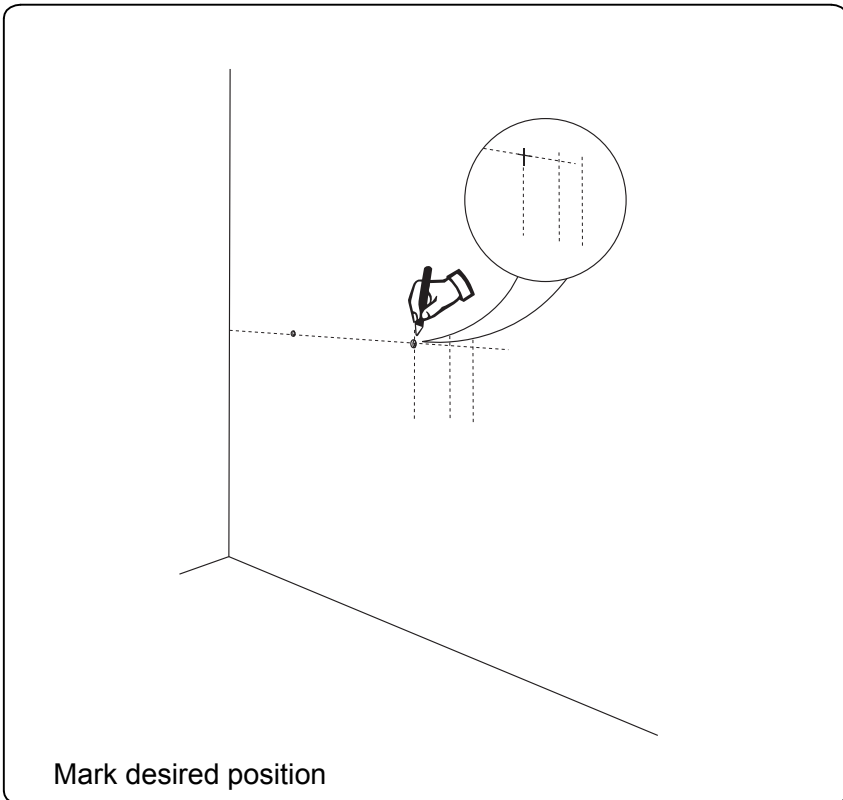
PARTS LIST (may differ depending on purchase)



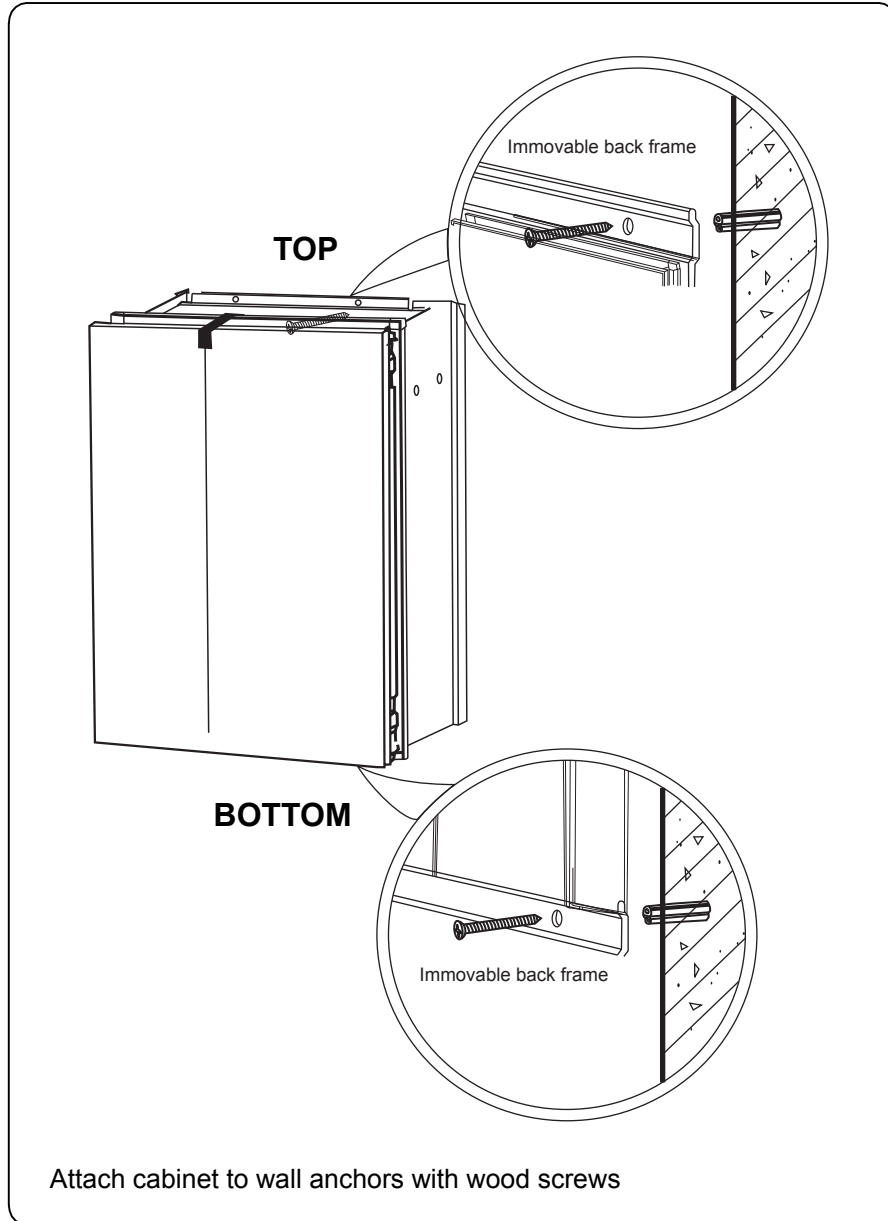
REQUIRED TOOLS



SURFACE MOUNT INSTALLATION

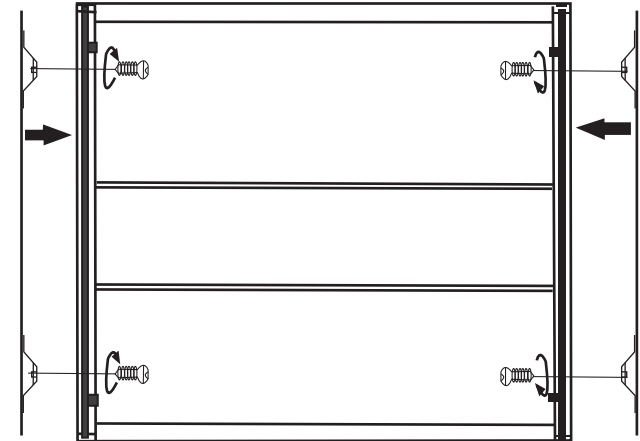


Cabinet Installation (Surface Mount)

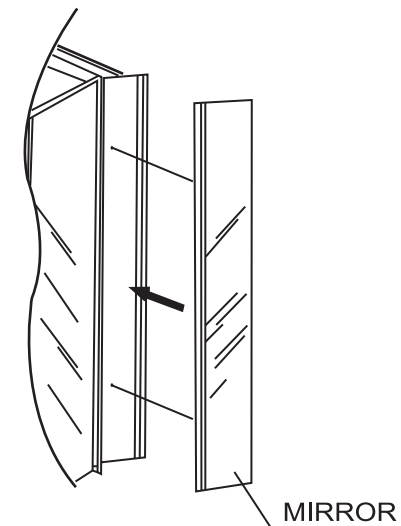


Side Mirror Installation*

**Skip this step for Recess Mount Installation*

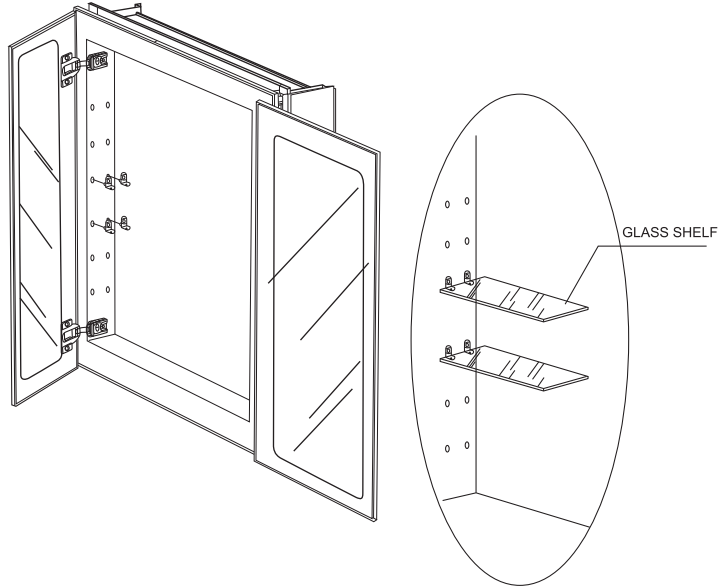


Attach side mirrors with metal screws

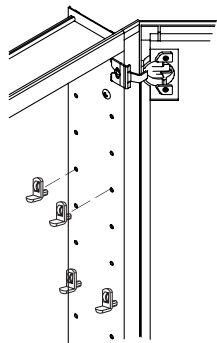


Shelf Installation

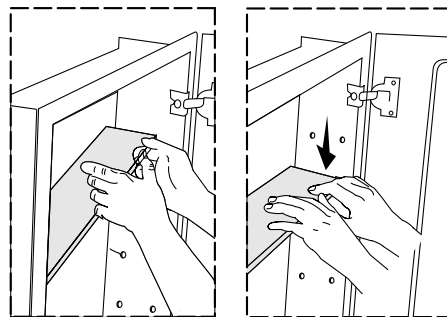
Position shelf clips to desired height



Insert shelf clips



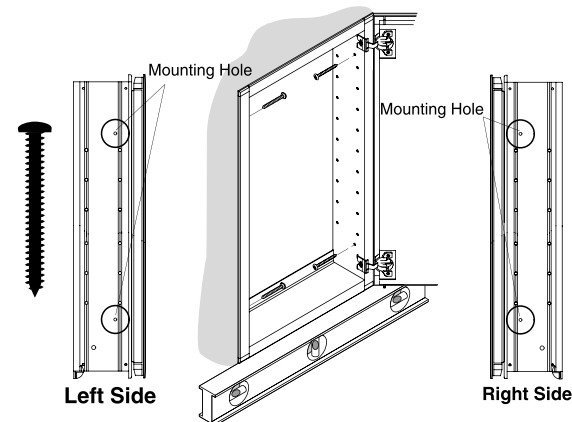
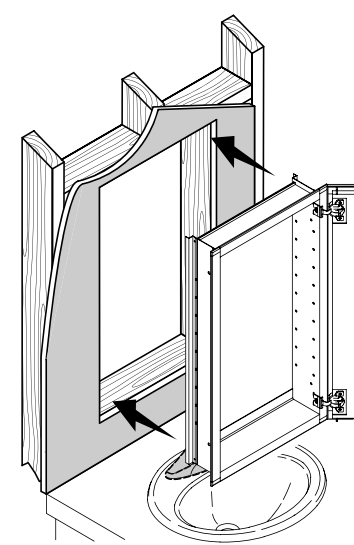
Install glass shelf



Place clip cover on unused holes

Recess Mount Installation

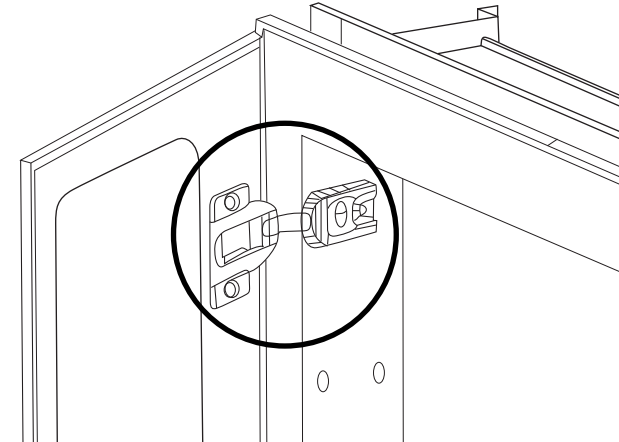
Add an additional 1.5 inch in height in frame cutout to ensure the back flange frame has enough clearance to be inserted.



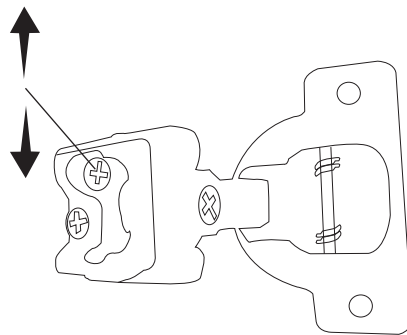
Place and hold the cabinet with the back flange in the cutout

Door Tilt Adjustment

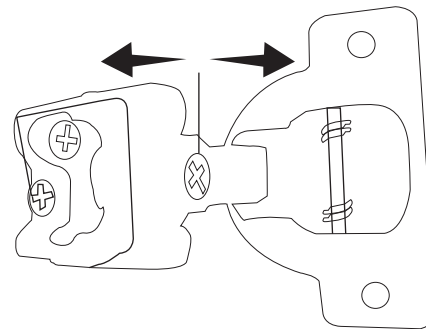
Fine-tuning adjustments may be made to the doors if they are not aligned properly. Three different positions may be adjusted



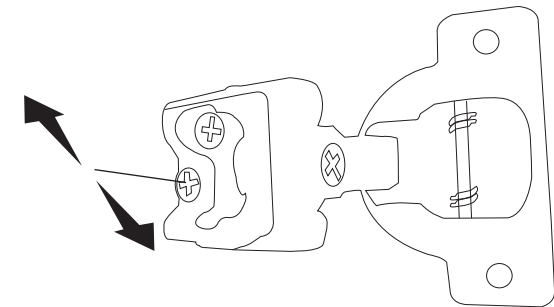
Locate the hinges on the interior of the cabinet.



Vertical



Horizontal



Depth