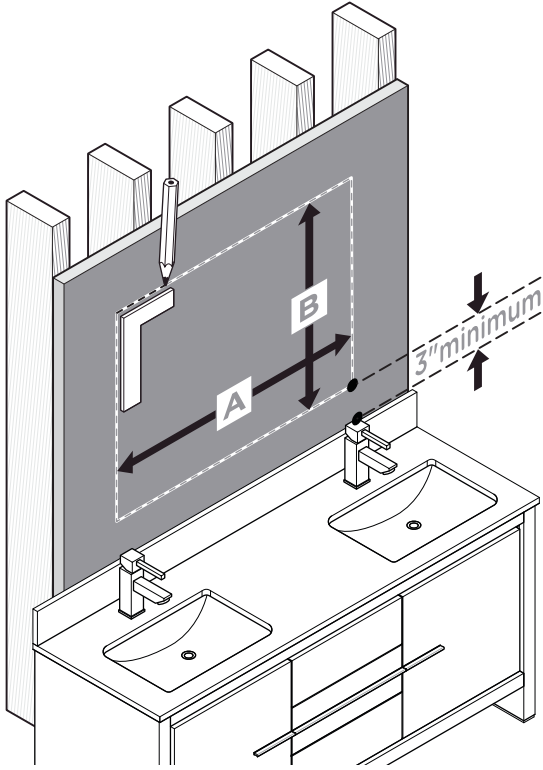


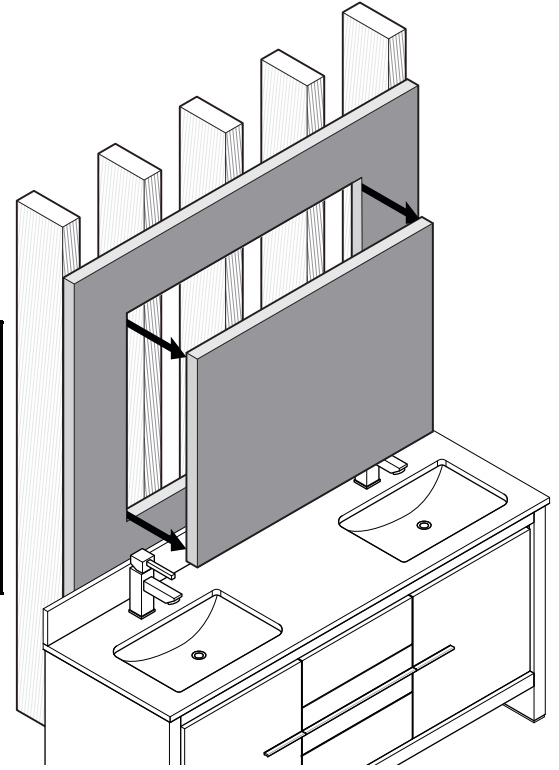
# RECESS-MOUNT INSTALLATION

**1**



Draw the perimeter of the cabinet on the wall.

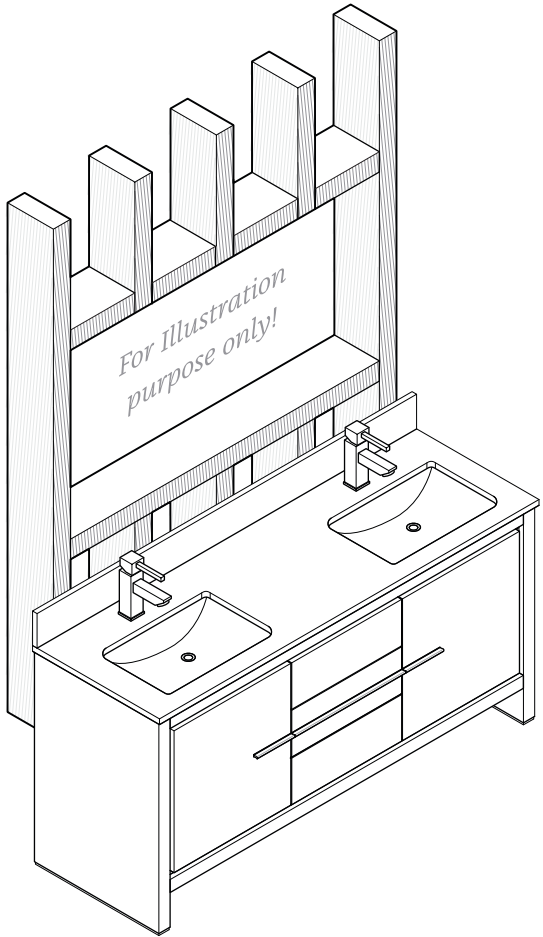
**2**



**NOTE:**  
Determine overall medicine cabinet dimensions. If recessing medicine cabinet, determine rough in dimensions.

Cut the perimeter with appropriate tool.

**3**

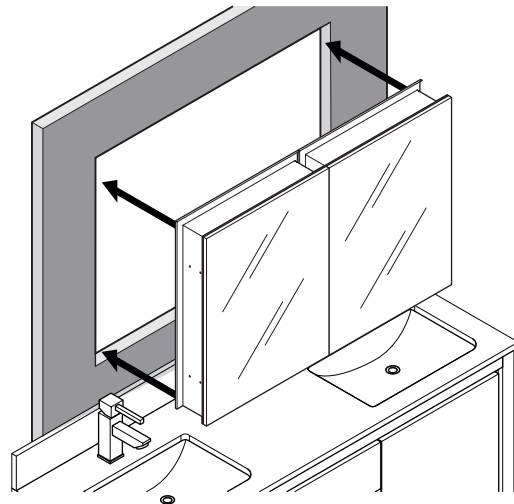


Frame the cutout opening.

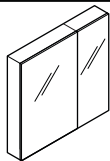
**NOTE:** Please consult with a licensed contractor for proper medicine cabinet framing.

ROUGH IN DIMENSIONS			
Model SKU	Width <b>A</b>	Height <b>B</b>	Depth
<b>FMC8014</b>	47 1/2"	35 1/8"	3 3/4"
<b>FMC8020</b>	57 1/4"	35 1/8"	3 3/4"

**4**



Insert the cabinet into the opening.

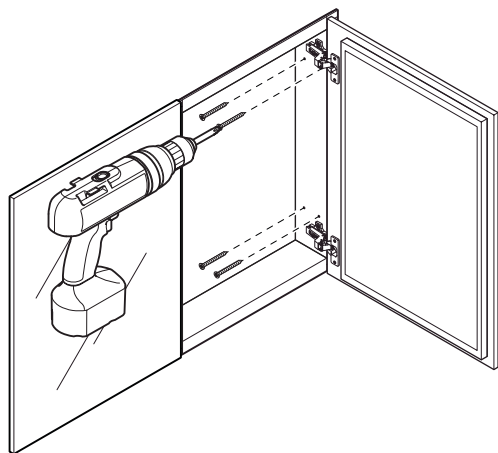


# FMC8014/8020 MEDICINE CABINET INSTALLATION GUIDE



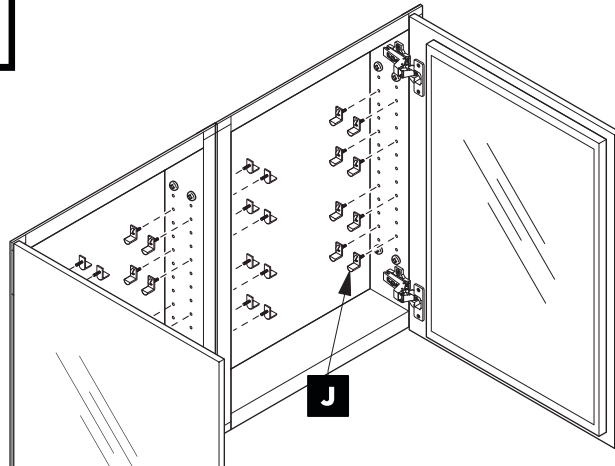
## RECESS-MOUNT INSTALLATION

5



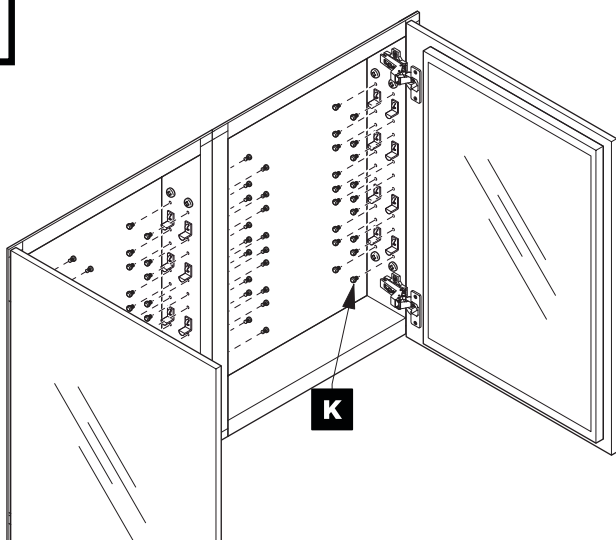
Attach cabinet to the wall from the each side.

6



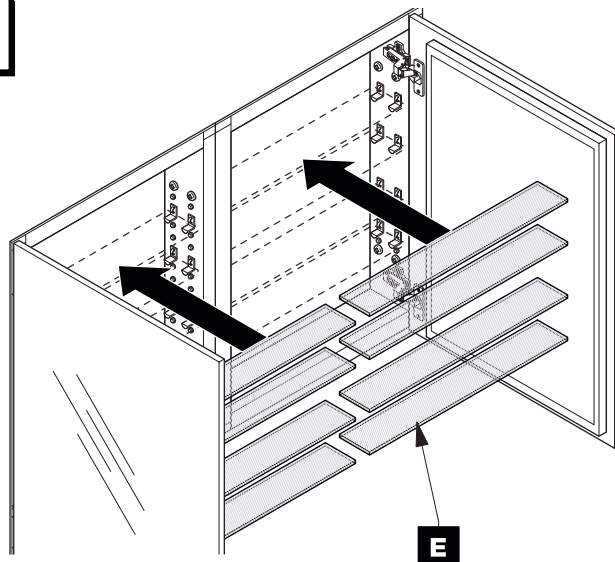
Push and twist shelf clips (J).

7



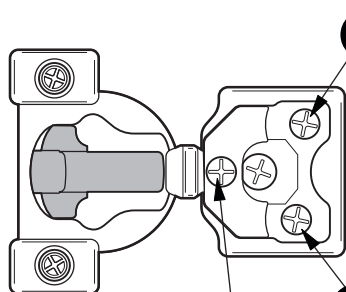
Fill the remaining holes with a plugs (K).

8



Insert the shelves (E). Follow the steps below for each shelf.

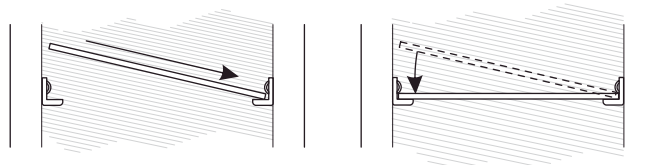
### OPTIONAL DOOR ADJUSTMENT



**b.** This screw releases cabinet's door and allows up and down adjustment.

**a.** This screw allow you to adjust pitch side to side.

This screw allow you to adjust the gap between the doors.



**8.a**

Push a side of the shelf (E) into left or shelf clips (J).

**8.b**

Snap the shelf (E) down into opposite side.