

### Horizon MEDICINE CABINET

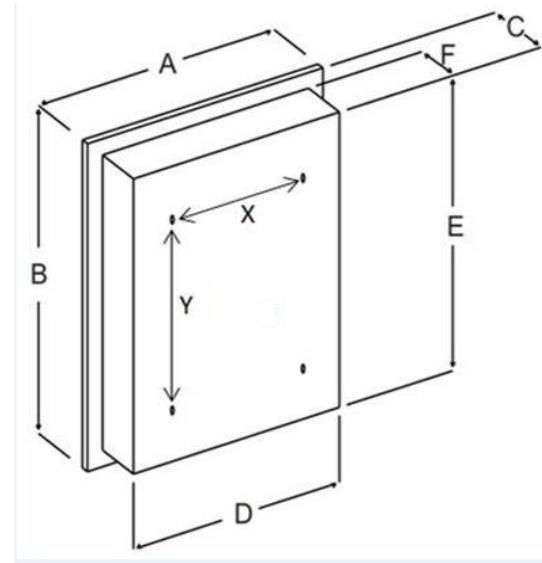


#### FEATURES/TYPICAL SPECIFICATIONS

- Surface Mount Installation
  - Pre-drilled mounting holes spacing: y = 12.500" center-to-center and x = 9.500" center-to-center
- Molded White Plastic Housing – Polystyrene (PC)
- Frameless mirror door
  - 5/32" thick float glass mirror door front with 1/2" beveled edge, 4 sides
  - 26 gauge door back with white, heat cured acrylic paint finish
- 16" piano hinge welded to the door and mechanically fastened to the cabinet body (HG01) (1 typical)
- Magnetic catch in cabinet body flange aligns to stainless steel striker plate on the door (1 typical)
- Reversible for left-hand or right-hand door swing
- Fixed plastic shelves molded into cabinet housing (FX) (2 typical)
- Mounting hardware included
- Pallet quantity = 42 units

#### Finishes:

Housing: PT01—Basic white  
 Mirror: 1/2 BVL-1/2" Bevel Edge  
 Frame: Frameless



Model #	Description	Dimensions In Inches					
		A	B	C	D	E	F
B72338501	MEDCAB 1DR 16X22 FMLS PC	16	22	4¼	15½	19½	3¾

REFERENCE	QTY.	REMARKS	Project
			Location
			Architect
			Engineer
			Contractor
			Submitted by
			Date

\* All models and material specifications are subject to change or withdrawal without notice.