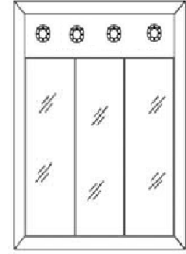


Granville MEDICINE CABINET

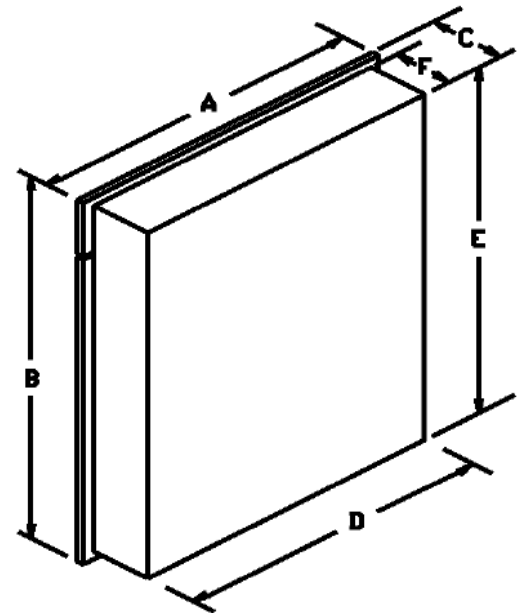


FEATURES/TYPICAL SPECIFICATIONS

- Surface-Mounted Installation
 - Two Integral Mounting Bars
 - Pre-Drilled Mounting Holes (4 typical)
- Housing/Body is Panel Style Construction (WD)
 - Particle Board Construction with PVC Laminate
 - MDF Back Panel with white PVC Laminate on interior cabinet surface
 - Dowel/Glue & Tongue & Groove Construction
- Solid Wood Frame with Miter Cut Corners
 - Solid Poplar with Classic White Finish (PT02)
 - The frame is attached to the top, bottom, and side panels of housing by glue and tongue in groove or glue and wooden dowels as a minimum.
- Mirror Doors (3 typical)
 - Right-hand swing (2 typical) and left-hand swing (1 typical)
 - Polished Edges, 4 sides
 - Laminated Protective Mirror Backing
- Shelves, particle board with white PVC laminate (2 typical)
 - Fixed, non-removable (FX)
- Chrome finish glass pivot hinges, set of two (3 sets typical) (HG03)
- Spring-loaded, white magnetic touch latch fastened to cabinet body aligns to chrome finished metal striker plate on the mirror door back (3 typical)
- Polished edge mirror backed light fixture with satin nickel (N14) socket cups (4 typical). Uses four incandescent 60 watt maximum, medium base, G style, 120V bulbs (I60G) - bulbs not included.
- Includes Mounting Hardware

Finishes:

Housing: PT02-Classic White
 Mirror: POL1-Polished Edge
 Frame: PT02 - Classic White



CARB 93120 Phase 2 Compliant for Formaldehyde

		Dimensions In Inches					
Model #	Description	A	B	C**	D	E	F
755371	MEDCAB 3DR 30X30 FMLS WD	30	30	4¾	28½	28-3/16	4

** Cabinet depth does NOT include light bulbs, socket cups, or the sockets.

REFERENCE	QTY.	REMARKS	Project
			Location
			Architect
			Engineer
			Contractor
			Submitted by Date

* All models and material specifications are subject to change or withdrawal without notice.