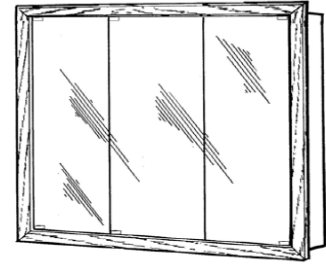


### Granville MEDICINE CABINET

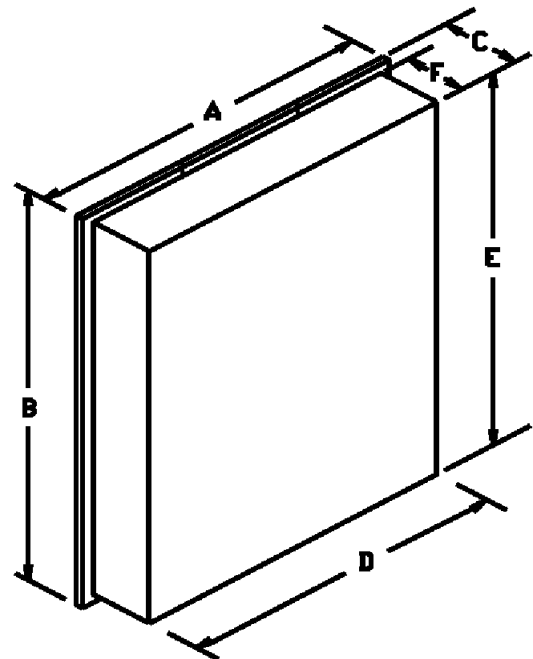


#### FEATURES/TYPICAL SPECIFICATIONS

- Surface-Mounted Installation
  - Two Integral Mounting Bars
  - Pre-Drilled Mounting Holes (4 typical)
- Housing/Body is Panel Style Construction (WD)
  - Particle Board Construction with PVC Laminate
  - MDF Back Panel with white PVC Laminate on interior cabinet surface
  - Dowel/Glue & Tongue & Groove Construction
- Solid Wood Frame with Miter Cut Corners
  - Solid Poplar with Classic White Finish (PT02)
  - The frame is attached to the top, bottom, and side panels of housing by glue and tongue in groove or glue and wooden dowels as a minimum.
- Mirror Doors (3 typical)
  - Right-hand swing (2 typical) and left-hand swing (1 typical)
  - Polished Edges, 4 sides
  - Laminated Protective Mirror Backing
- Shelves, particle board with white PVC laminate (2 typical)
  - Fixed, non-removable (FX)
- Chrome Finish Glass Pivot Hinges, set of two (3 sets typical) (HG03)
- Spring-loaded, white magnetic touch latch fastened to cabinet body aligns to chrome finished metal plate on the mirror door back (3 typical)
- Includes Mounting Hardware

#### Finishes:

Housing: PT02-Classic White  
 Mirror: POL1-Polished Edge  
 Frame: PT02-Classic White



#### CARB 93120 Phase 2 Compliant for Formaldehyde

		Dimensions In Inches					
Model #	Description	A	B	C	D	E	F
740613	MEDCAB 3DR 48X30 FMLS WD	48	30	4 3/4	46-7/16	28-3/16	4

REFERENCE	QTY.	REMARKS	Project
			Location
			Architect
			Engineer
			Contractor
			Submitted by
			Date

\* All models and material specifications are subject to change or withdrawal without notice.