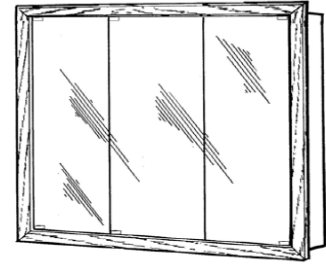


### Granville MEDICINE CABINET

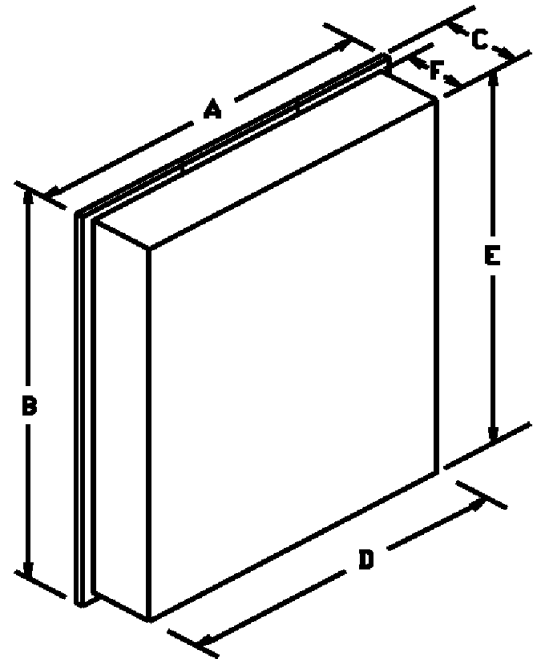


#### FEATURES/TYPICAL SPECIFICATIONS

- Surface-Mounted Installation
  - Two Integral Mounting Bars
  - Pre-Drilled Mounting Holes (4 typical)
- Housing/Body is Panel Style Construction (WD)
  - Particle Board Construction with PVC Laminate
  - MDF Back Panel with white PVC Laminate on interior cabinet surface
  - Dowel/Glue & Tongue & Groove Construction
- Solid Wood Frame with Miter Cut Corners
  - Solid Poplar with Classic White Finish (PT02)
  - The frame is attached to the top, bottom, and side panels of housing by glue and tongue in groove or glue and wooden dowels as a minimum.
- Mirror Doors (3 typical)
  - Right-hand swing (2 typical) and left-hand swing (1 typical)
  - Polished Edges, 4 sides
  - Laminated Protective Mirror Backing
- Shelves, particle board with white PVC laminate (2 typical)
  - Fixed, non-removable (FX)
- Chrome Finish Glass Pivot Hinges, set of two (3 sets typical) (HG03)
- Spring-loaded, white magnetic touch latch fastened to cabinet body aligns to chrome finished metal plate on the mirror door back (3 typical)
- Includes Mounting Hardware

#### Finishes:

Housing: PT02-Classic White  
 Mirror: POL1-Polished Edge  
 Frame: PT02-Classic White



#### CARB 93120 Phase 2 Compliant for Formaldehyde

|         |                          | Dimensions In Inches |    |    |     |         |   |
|---------|--------------------------|----------------------|----|----|-----|---------|---|
| Model # | Description              | A                    | B  | C  | D   | E       | F |
| 740605  | MEDCAB 3DR 36X30 FMLS WD | 36                   | 30 | 4% | 34% | 28-3/16 | 4 |

| REFERENCE | QTY. | REMARKS | Project      |
|-----------|------|---------|--------------|
|           |      |         | Location     |
|           |      |         | Architect    |
|           |      |         | Engineer     |
|           |      |         | Contractor   |
|           |      |         | Submitted by |
|           |      |         | Date         |

\* All models and material specifications are subject to change or withdrawal without notice.