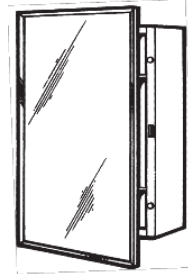


Styleline MEDICINE CABINET

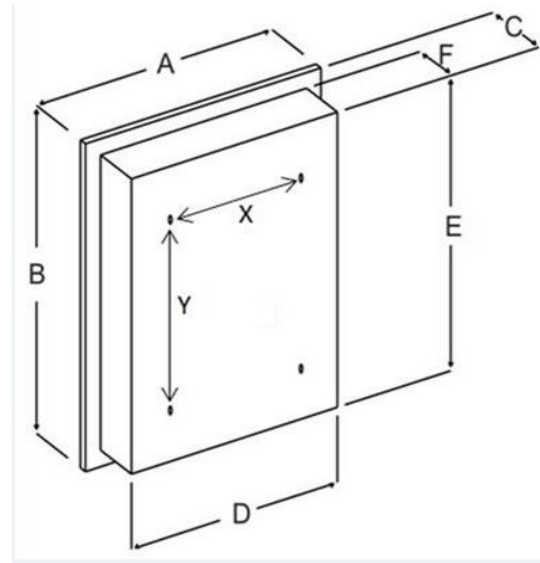


FEATURES/TYPICAL SPECIFICATIONS

- Surface Mount Installation
 - Pre-drilled mounting holes spacing: y = 12.500" center-to-center and x = 9.500" center-to-center
- Molded White Plastic Housing – Polystyrene (PC)
- Framed mirror door
 - Polished Stainless Steel frame (SS8)
 - 2MM thick float glass mirror door front
 - Fiberboard with white paper laminate door back
- 16" piano hinge riveted to the door and mechanically fastened to the cabinet body (HG01) (1 typical)
- Magnetic catch in cabinet body flange aligns to stainless steel striker plate on the door (1 typical)
- Reversible for left-hand or right-hand door swing
- Fixed plastic shelves molded into cabinet housing (FX) (2 typical)
- Mounting hardware included
- Pallet quantity = 60 units

Finishes:

- Housing: PT01—Basic white
- Mirror: Flat Mirror
- Frame: SS8—Polished Stainless Steel



Model #	Description	Dimensions In Inches					
		A	B	C	D	E	F
614	MEDCAB 1DR 16X22 SS8 PC	16 $\frac{1}{8}$	22 $\frac{1}{8}$	4 $\frac{1}{4}$	15 $\frac{1}{8}$	19 $\frac{1}{8}$	3 $\frac{1}{8}$

REFERENCE	QTY.	REMARKS	Project
			Location
			Architect
			Engineer
			Contractor
			Submitted by
			Date

* All models and material specifications are subject to change or withdrawal without notice.